

SPECIFICATIONS

1. 3" Plain End inlet/outlet, 3" Plain End vents.
2. Max flow rate: 35 GPM.
3. Capacities: Liquid: 38 gal. (5 cu. ft.); Oil: 28 gal.; Sand: 6 gal.
4. Unit weight w/std. covers: 77 lbs.
5. Maximum operating temperature 140°F continuous.
6. Composite cover: 2,000 lb. capacity.

NOTES

1. Snap-in Flow control (ships with unit).
2. Seamless medium density polyethylene tank.
3. Unit supplied with built-in adapter for up to 3-1/2" of adjustability. Additional riser(s) available for deeper burial depth.
4. Cover placement allows full access to tank for proper maintenance.
5. Engineered inlet and outlet diffusers are removable to inspect/clean piping.
6. For on-the-floor or buried applications.

DIFFUSION FLOW TECHNOLOGY

The inlet diffuser splits influent into three paths, creating laminar flow and utilizing the entire liquid volume of the tank for efficient oil separation. The calibrated openings greatly reduce influent turbulence. The influent enters the main chamber without disturbing the existing oil or sand layers. The bottom of the outlet diffuser allows only effluent that is free of oil to exit the tank.

ENGINEER SPECIFICATION GUIDE

Striem Oil Reserve™ oil/sand separator model OS-35 shall be lifetime guaranteed and made in USA of seamless, rotationally-molded polyethylene. Separator shall be furnished for above or below grade installation, with field adjustable riser system, snap-in flow control and (2) vent connections. Separator flow rate shall be 35 GPM. Separator oil capacity shall be 28 gallons. Sand capacity shall be 6 gallons. Cover shall provide water/gas-tight seal and have a maximum 2,000 lbs load capacity.

OPTIONS

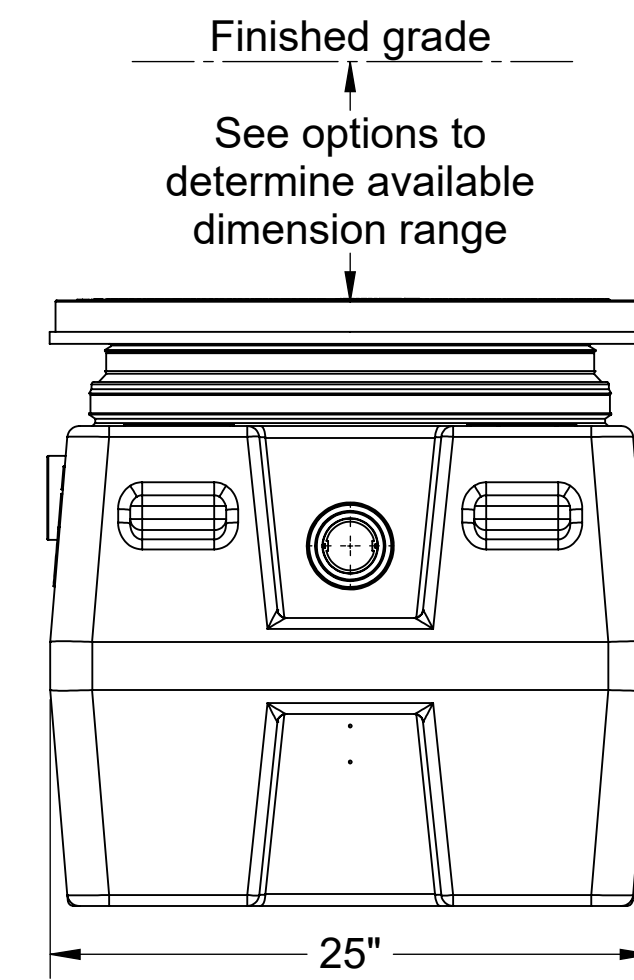
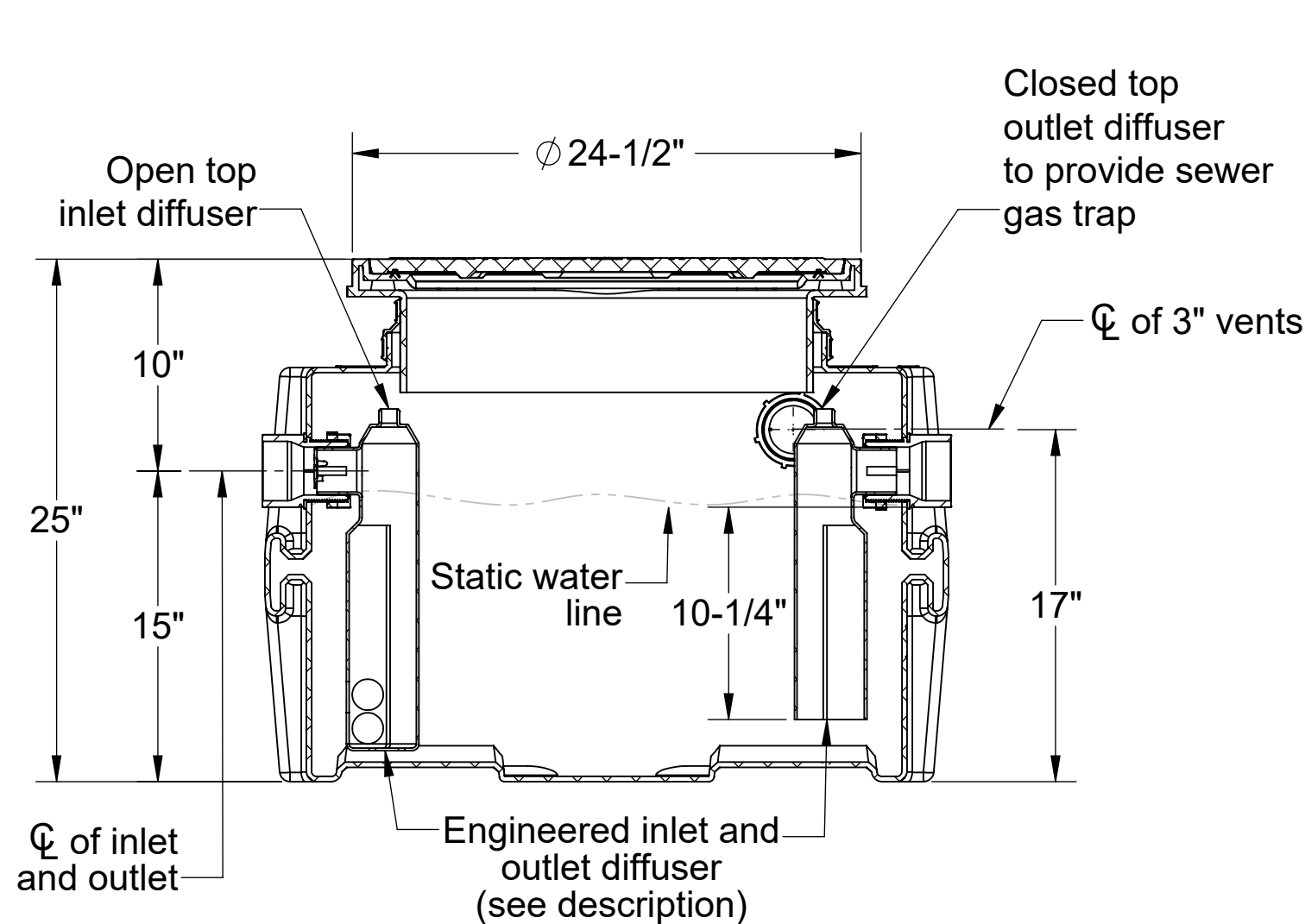
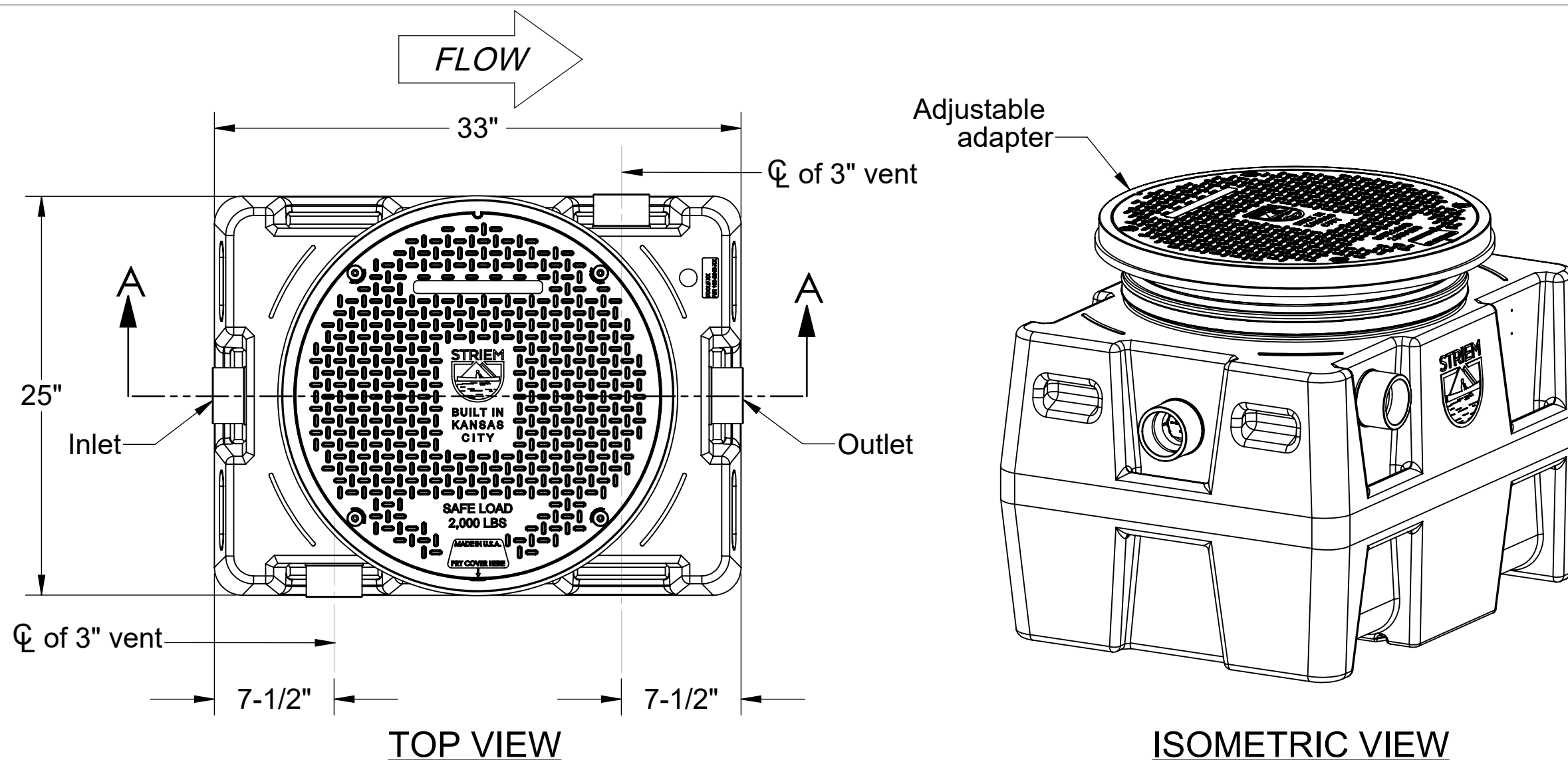
- 2P** - 2" Plain End SCH.40 Inlet / Outlet
- 2M** - 2" Male Thread Inlet / Outlet
- 3M** - 3" Male Thread Inlet / Outlet
- 4P** - 4" Plain End SCH.40 Inlet / Outlet
- 4M** - 4" Male Thread Inlet / Outlet
- CC24** - Integral Membrane Clamping Collar Kit
- CS1** - Clean Sweep Coalescing Media

TeleGlide RISER OPTIONS

- SR24** - >3-1/2"-22"
- LR24** - >22"-37"

PROPRIETARY AND CONFIDENTIAL

THE INFORMATION CONTAINED IN THIS DRAWING IS THE SOLE PROPERTY OF STRIEM, LLC. ANY REPRODUCTION IN PART OR AS A WHOLE WITHOUT THE WRITTEN PERMISSION OF STRIEM, LLC. IS PROHIBITED.



MODEL NUMBER: OS-35	
DESCRIPTION: 35 GPM POLYETHYLENE OIL/SAND SEPARATOR	
DWG BY: MJ	DATE: 04/22/2020 REV: 0 ECO:

SPECIFICATION SHEET

Striem
3100 Brinkerhoff
Kansas City, KS 66115
Tel: 913-222-1500
Fax: 913-291-0457
www.striemco.com

Made in the U.S.A

