

**SPECIFICATIONS**

1. Max flow rate: 314 GPM
2. Liquid capacity: 1500 Gallons (200.5 cu. ft.)
3. Oil capacity: 610 Gallons
4. Solids/sediment capacity: 486 Gallons
5. Unit weight w/std. covers: 1350 lbs.
6. Highway traffic load rated, bolted, gas/water tight composite covers. (16,000 lbs)
7. Maximum operating temperature 140°F continuous

**NOTES**

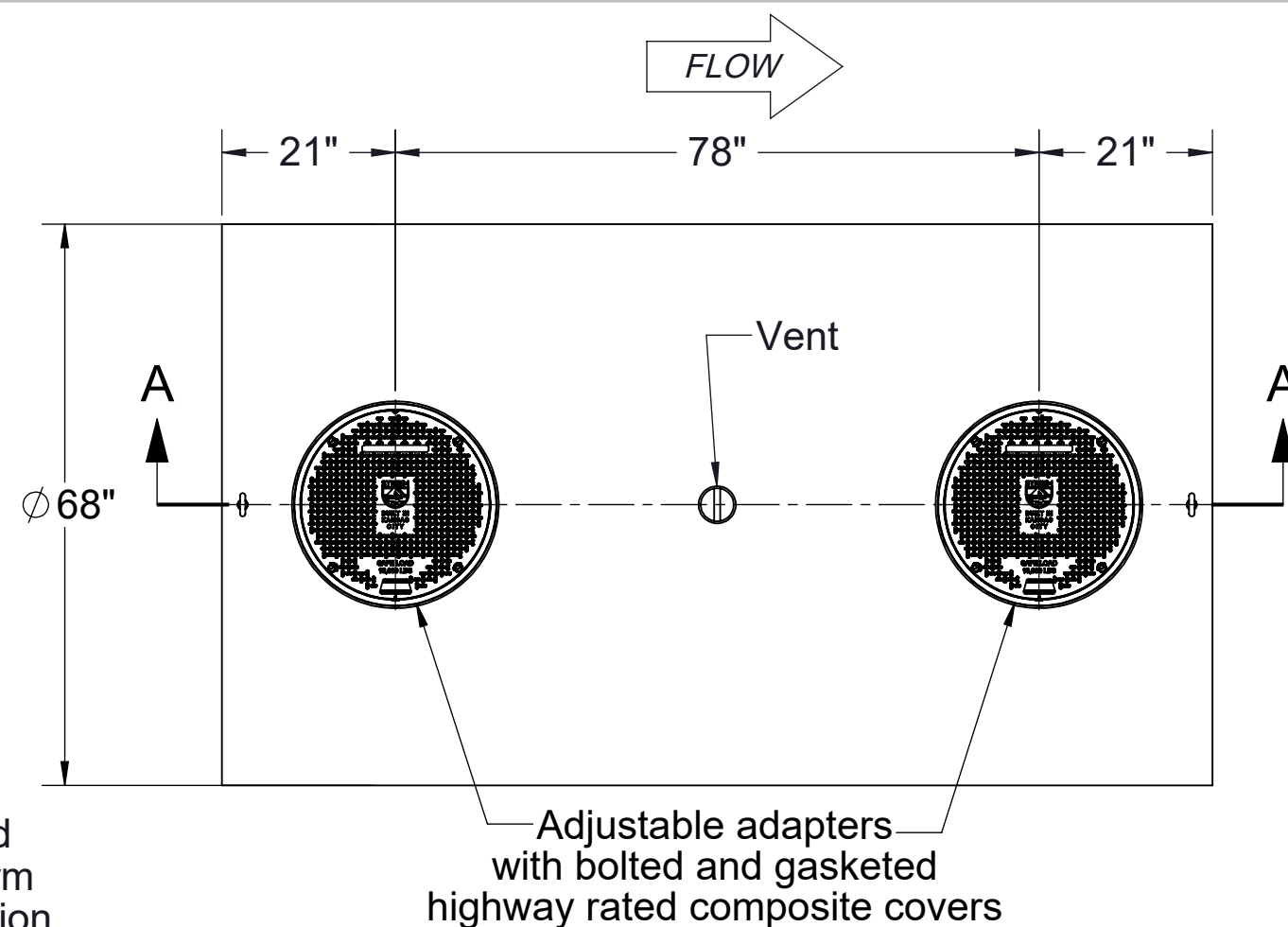
1. 7/8" thick high density polyethylene walls.
2. Unit supplied with built-in adapter(s) for up to 5" of adjustability. Additional riser(s) available for deeper burial depth.
3. For buried applications.
4. Lifting lug set included for easy install.

**ENGINEER SPECIFICATION GUIDE**

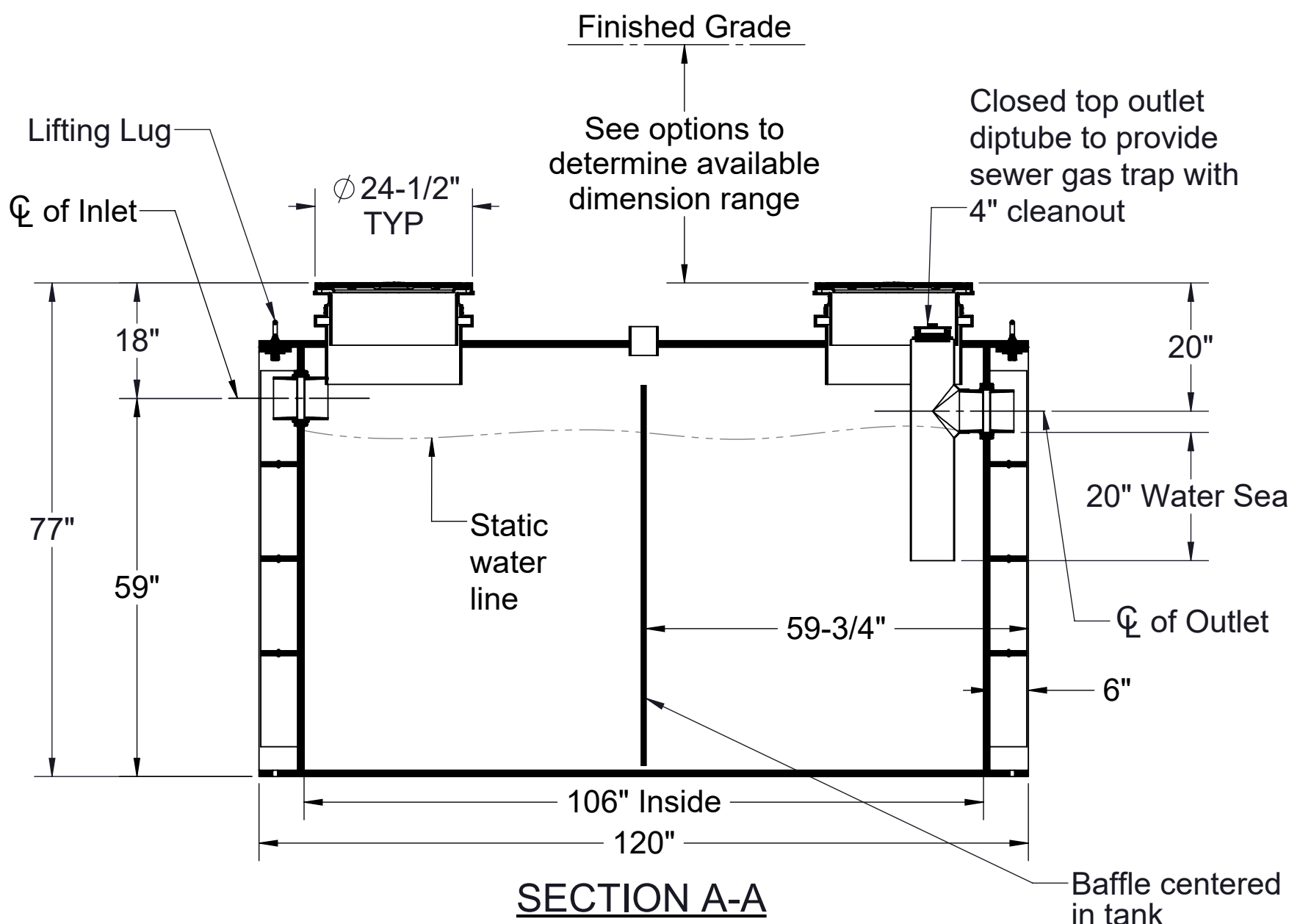
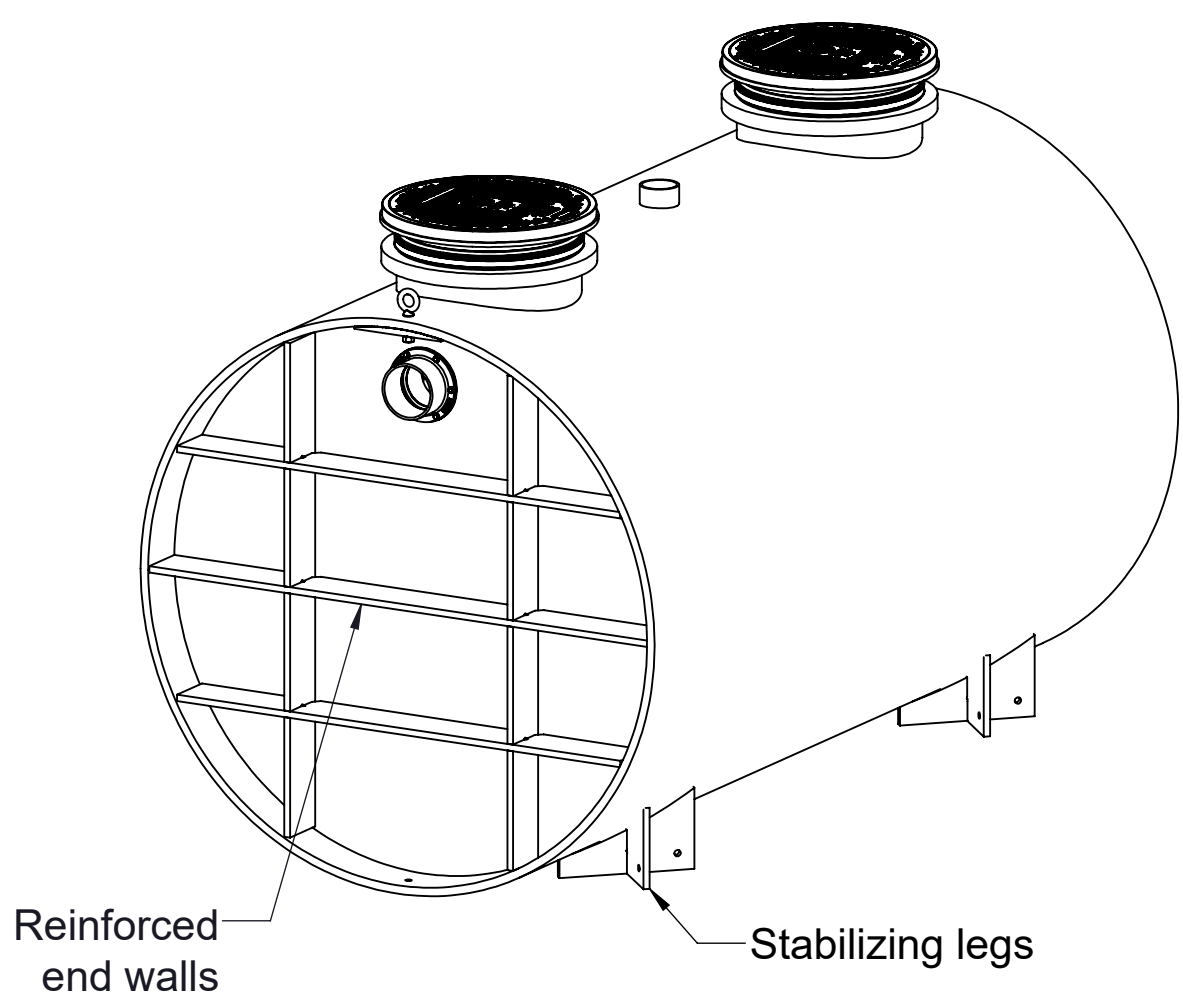
Striem oil separator model OS-1500 shall be lifetime guaranteed and made in USA of High Density Polyethylene with minimum 7/8" uniform wall thickness. Separator shall be furnished for below grade installation with field adjustable riser system. Separator flow rate shall be 314 GPM. Separator oil capacity shall be 610 gallons. Sand capacity shall be 486 gallons. Cover shall provide water/gas-tight seal and have a maximum 16,000 lbs load capacity.

**THIRD PARTY STRUCTURAL ANALYSIS**

The OS-1500 has been structurally analyzed in accordance with the requirements of IBC 2012 and ASCE/SEI 7 for direct burial. The maximum burial depth and backfill material are specified in our installation instructions. The structural design has been reviewed and sealed by a professional engineer registered in the state of California. A sealed structural analysis report is available upon request.



**TOP VIEW**



**SECTION A-A**

**Directions:** Complete steps 1-3 and submit signed with purchase order.

**1. Choose Connection Types**

- |                                      |  |
|--------------------------------------|--|
| <b>Inlet / Outlet</b>                | <b>Size</b>  |
| <input type="checkbox"/> Plain End   | <input type="checkbox"/> 4"                            |
| <input type="checkbox"/> Male Thread | <input type="checkbox"/> 6"                            |
|                                      | <input type="checkbox"/> 8" (Only Plain End Available) |
| <b>Vent</b>                          | <b>Size</b>  |
| Plain End                            | <input type="checkbox"/> 2"                            |
|                                      | <input type="checkbox"/> 3"                            |
|                                      | <input type="checkbox"/> 4"                            |

**2. Riser Options**

- Included : 0" - 5"**
- SR24** (2) : >5" - 24"
  - LR24** (2) : >24" - 39"
  - SR24** (4) : >39" - 43"
  - SR24** (2) + **LR24** (2) : >43" - 58"
  - LR24** (4) : >58" - 72"
  - SR24** (2) + **LR24** (4) : >72" - 90"
  - LR24** (6) : >90" - 106"
- OR -**
- CPRK** (2) : >11" - 106"
    - Corrugated Pipe Riser Kit.
    - Used in substitute of SR/LR riser options.
    - 18" diameter corrugated pipe by others.
    - See CPRK specification for more detail.

**3. Choose Additional Options**

- C24-HP** (2) - H2O Rated Pickable Cast Iron Covers
- CS3** - Clean Sweep Coalescing Media (single)\*
- CS6** - Clean Sweep Coalescing Media (double)\*
- HDK-1** - High Water Table Hold Down Kit
- SS** - Slick Stick™ Oil Level Monitoring System\*\*

\*Clean Sweep Coalescing Media not compatible with CPRK

\*\*Monitoring system will raise covers by 2-1/2". Not available with CS6. For more information, see OS-1500-SS specification package.

Signature of Approval: \_\_\_\_\_

Company: \_\_\_\_\_

Date of Approval: \_\_\_\_\_

Specifying Engineer: \_\_\_\_\_

Engineering Firm: \_\_\_\_\_

PO IS NON-CANCELABLE  
ORDER IS NON-RETURNABLE

<b>MODEL NUMBER:</b> OS-1500	
<b>DESCRIPTION:</b> POLYETHYLENE OIL SEPARATOR 314 GPM 1500 GALLON CAPACITY	
<b>DWG BY:</b> MJ	<b>DATE:</b> 12/10/2020
<b>REV:</b> 0	<b>ECO:</b>

**SPECIFICATION SHEET**

**Striem**  
3100 Brinkerhoff  
Kansas City, KS 66115  
Tel: 913-222-1500  
orders@striemco.com  
www.striemco.com



Made in the U.S.A

PROPRIETARY AND CONFIDENTIAL

THE INFORMATION CONTAINED IN THIS DRAWING IS THE SOLE PROPERTY OF STRIEM, LLC. ANY REPRODUCTION IN PART OR AS A WHOLE WITHOUT THE WRITTEN PERMISSION OF STRIEM, LLC. IS PROHIBITED.