

SPECIFICATIONS (OS-1500-CS3)

1. Max flow rate: 314 GPM
2. Max flow rate to achieve 5 ppm of residual light liquid in effluent: 45 GPM
3. Liquid capacity: 1500 Gallons
4. Oil capacity: 1035 Gallons
5. Solids/sediment capacity: 35 Gallons
6. Unit weight w/std. covers: 1450 lbs.
7. Highway traffic load rated, bolted, gas/water tight composite covers. (16,000 lbs)
8. Maximum operating temperature 140°F continuous.

NOTES

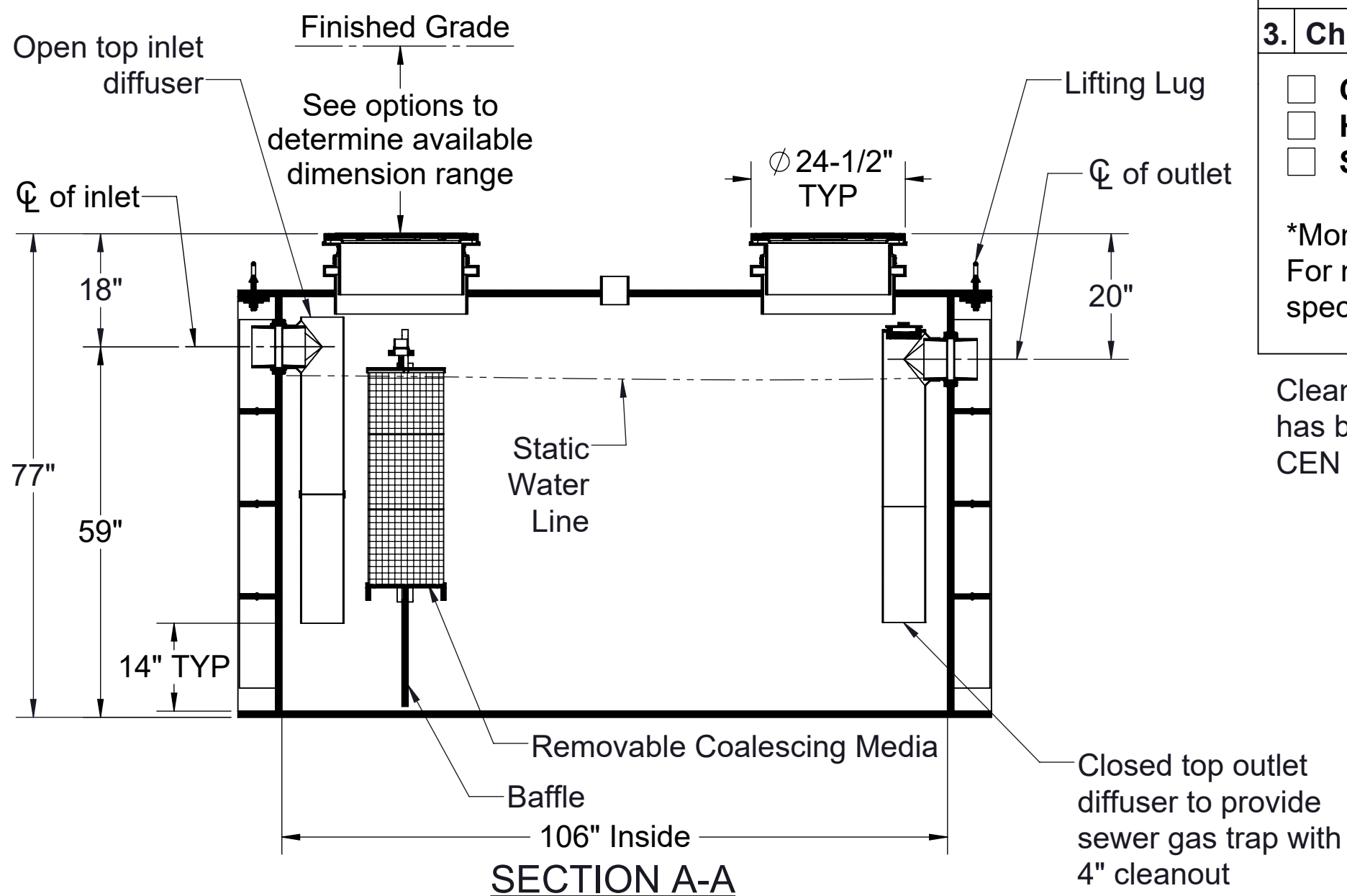
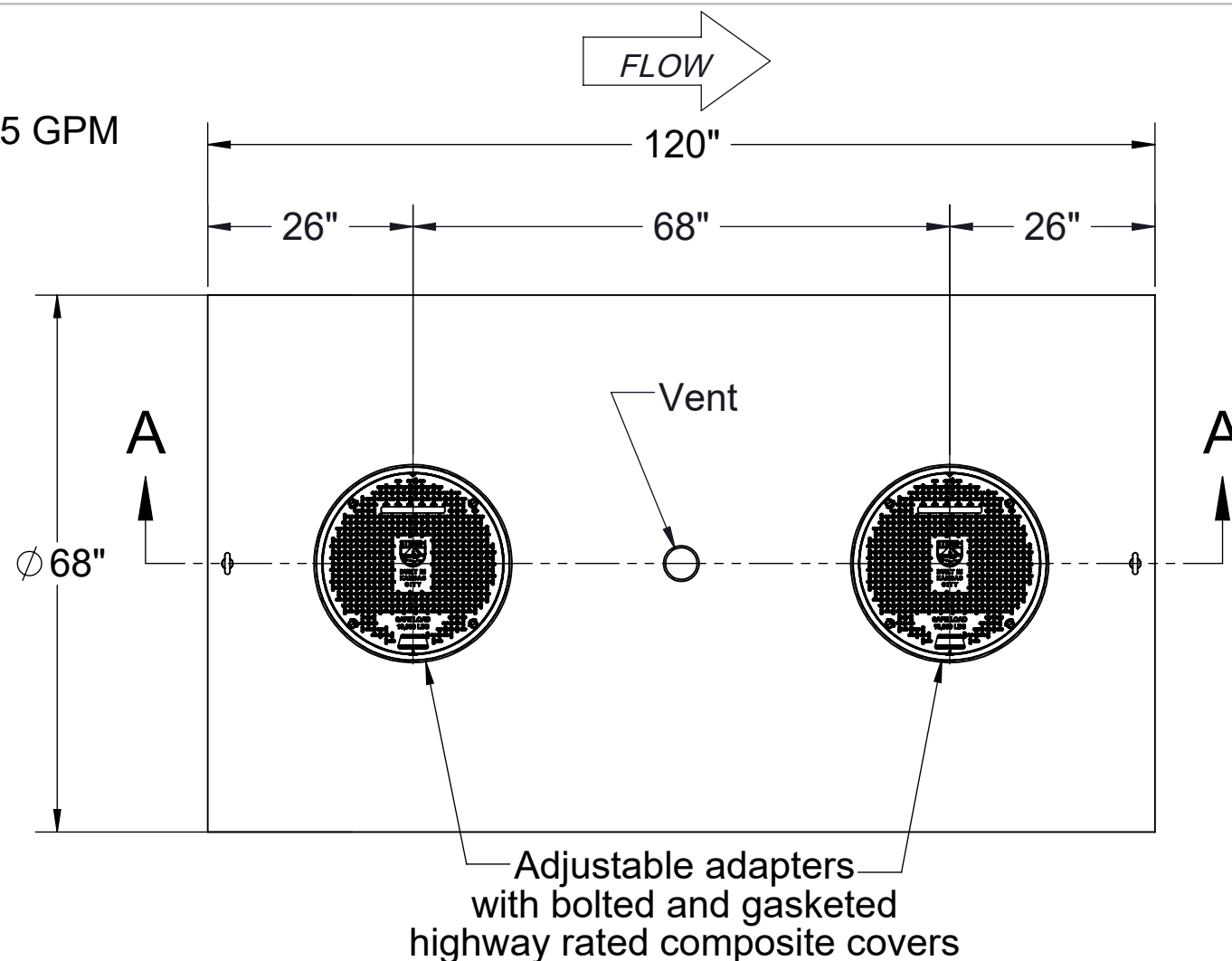
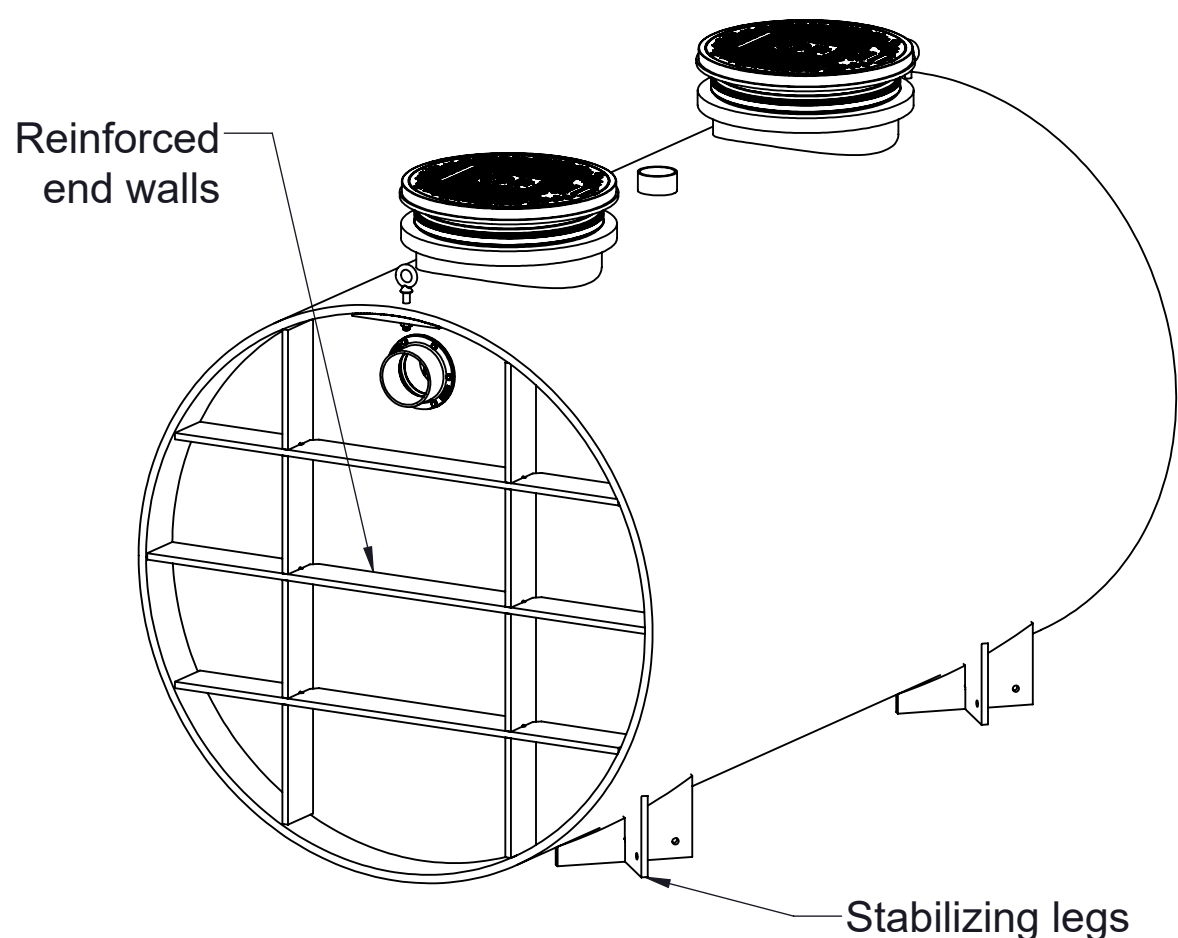
1. 7/8" thick seamless high density polyethylene walls.
2. Unit supplied with built-in adapter(s) for up to 5" of adjustability. Additional riser(s) available for deeper burial depth.
3. For buried applications.
4. Lifting lug set for easy install.

ENGINEER SPECIFICATION GUIDE

Striem oil separator model OS-1500-CS3 shall be lifetime guaranteed and made in USA of polyethylene with minimum 7/8" uniform wall thickness. Separator shall be furnished for below grade installation with field adjustable riser system. Separator flow rate shall be 314 GPM. Separator oil capacity shall be 1035 gallons. Separator sand capacity shall be 35 gallons. Cover shall provide water/gas-tight seal and have a maximum 16,000 lbs load capacity.

THIRD PARTY STRUCTURAL ANALYSIS

The OS-1500-CS3 has been structurally analyzed in accordance with the requirements of IBC 2012 and ASCE/SEI 7 for direct burial. The maximum burial depth and backfill material are specified in our installation instructions. The structural design has been reviewed and sealed by a professional engineer registered in the state of California. A sealed structural analysis report is available upon request.



Directions: Complete steps 1-3 and submit signed with purchase order.

1. Choose Connection Types.

- | | |
|--------------------------------------|--|
| Inlet / Outlet | Size |
| <input type="checkbox"/> Plain End | <input type="checkbox"/> 4" |
| <input type="checkbox"/> Male Thread | <input type="checkbox"/> 6" |
| | <input type="checkbox"/> 8" (Only Plain End Available) |
| Vent | Size |
| Plain End | <input type="checkbox"/> 2" |
| | <input type="checkbox"/> 3" |
| | <input type="checkbox"/> 4" |

2. TeleGlide Riser Options.

- SR24 (2) - >5"-24"
- LR24 (2) - >24"-39"
- SR24 (4) - >39"-43"
- SR24 (2) + LR24 (2) - >43"-58"
- LR24 (4) - >58"-72"
- SR24 (2) + LR24 (4) - >72"-90"
- LR24 (6) - >90"-106"

3. Choose Additional Options.

- C24-HP (2) - H2O Rated Pickable Cast Iron Covers
- HDK-1 - High Water Table Hold Down Kit
- SS - Slick Stick™ Oil Level Monitoring System*

*Monitoring system will raise covers by 2-1/2". For more information, see OS-1500-SS specification package.

Clean Sweep™ polypropylene coalescing media has been third party tested to performance standard CEN EN858-1 for class 1 coalescing separators.

Signature of Approval: _____

Company: _____

Date of Approval: _____

Specifying Engineer: _____

Engineering Firm: _____

PROPRIETARY AND CONFIDENTIAL

THE INFORMATION CONTAINED IN THIS DRAWING IS THE SOLE PROPERTY OF STRIEM, LLC. ANY REPRODUCTION IN PART OR AS A WHOLE WITHOUT THE WRITTEN PERMISSION OF STRIEM, LLC. IS PROHIBITED.

PO IS NON-CANCELABLE ORDER IS NON-RETURNABLE

MODEL NUMBER: OS-1500-CS3

DESCRIPTION:

POLYETHYLENE OIL SEPARATOR
314 GPM
1500 GALLON CAPACITY

DWG BY: MJ DATE: 12/11/2020 REV: 02 ECO:

SPECIFICATION SHEET

Striem
3100 Brinkerhoff
Kansas City, KS 66115
Tel: 913-222-1500
orders@striemco.com
www.striemco.com

Made in the U.S.A

