

SPECIFICATIONS

1. 4" Plain End inlet/outlet, 3" Plain End vents.
2. Capacities: Liquid: 110 gallons (14.7 cu.ft.); Sand: 17.5 gallons.
3. Flammable liquid capacity: 87 gallons.
4. Unit weight with composite cover: 130 lbs.;
With cast iron cover: 188 lbs.
5. Maximum operating temperature 140°F continuous.
6. Highway rated covers: 16,000 lb. capacity.

NOTES

1. Seamless polyethylene tank.
2. Unit supplied with built-in adapter for up to 5" of adjustability. Additional riser(s) available for deeper burial depth.
3. Cover placement allows full access to tank for proper maintenance.
4. Narrow footprint allows clearance through doorways and down stairs.
5. Outlet diptube is removable to inspect/clean piping.
6. For on the-floor or buried applications.

ENGINEER SPECIFICATION GUIDE

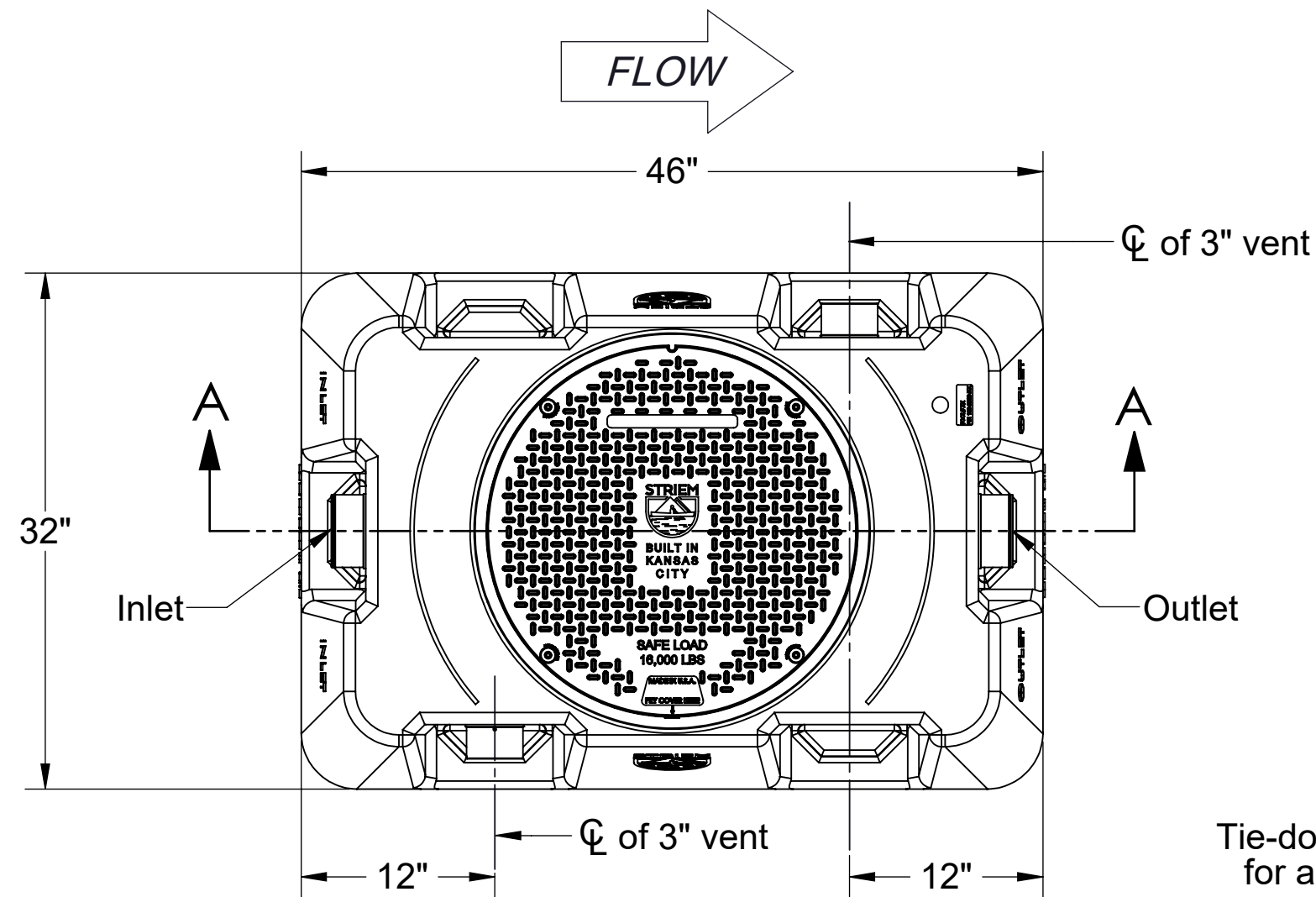
Striem Flammable Liquid Interceptor model FLI-125 shall be lifetime guaranteed and made in the USA of seamless, rotationally-molded polyethylene. Interceptor shall be furnished for above or below grade installation, with field adjustable riser system, and (2) vent connections. Interceptor capacity shall be 87 gallons of flammable liquids and 17.5 gallons of sediment. Covers shall provide water/gas-tight seal and have a maximum 16,000 lbs load capacity.

OPTIONS

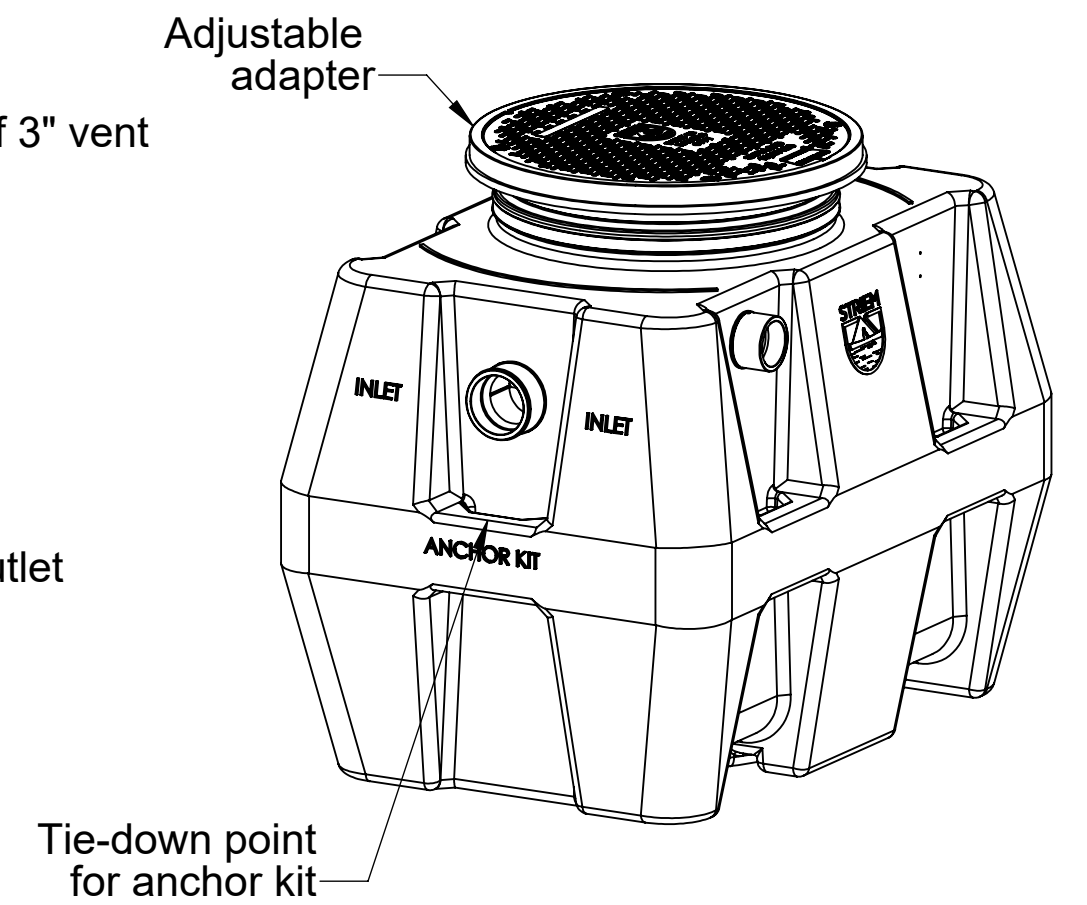
- 4M** - 4" Male Thread Inlet / Outlet
- 6P** - 6" Plain End Inlet / Outlet
- 6M** - 6" Male Thread Inlet / Outlet
- CC24** - Integral Membrane Clamping Collar Kit
- C24-HP** - H2O Rated Pickable Cast Iron Cover
- HDK-2** - High Water Anchor Kit

RISER OPTIONS

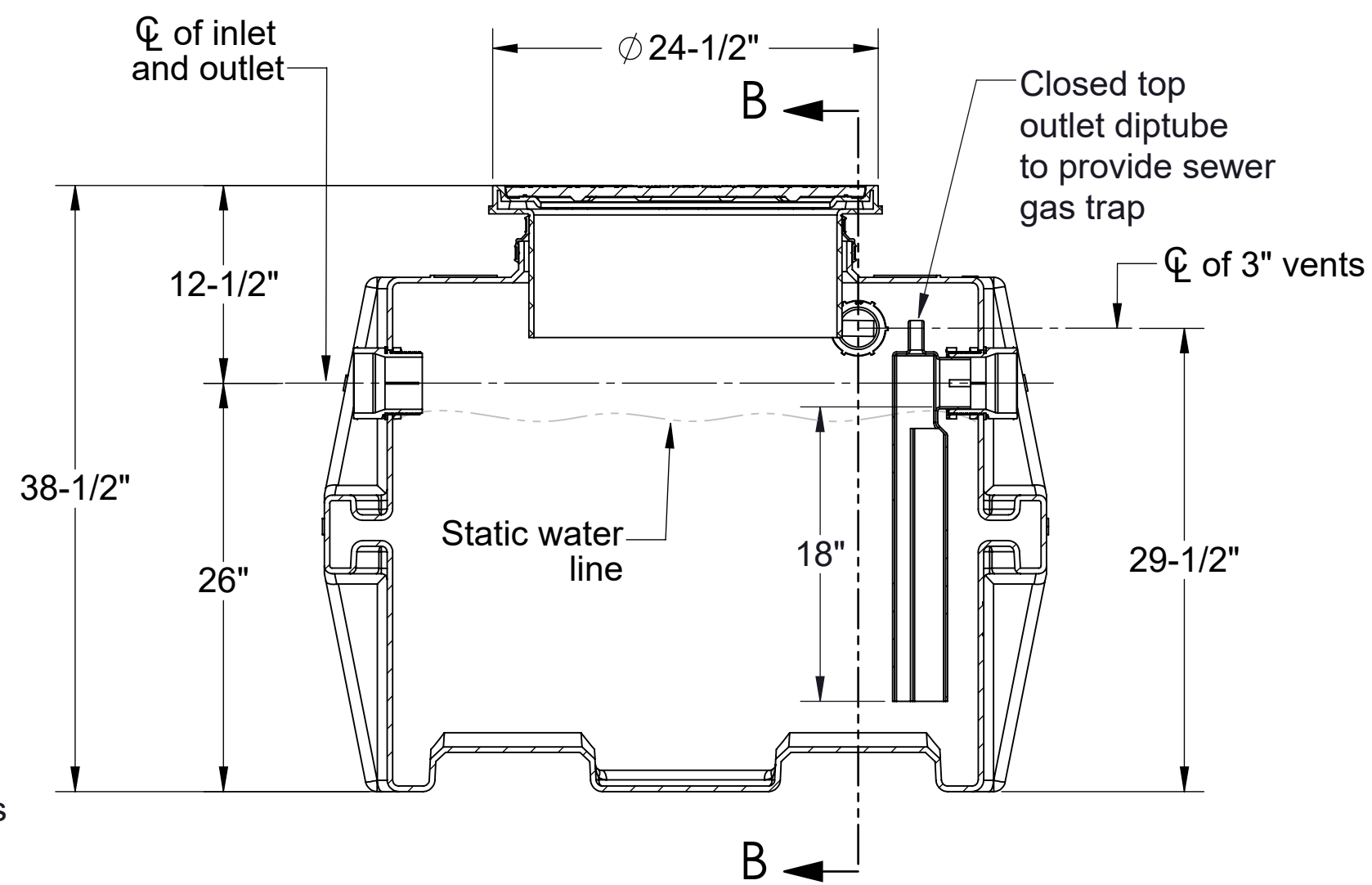
- SR24** - >5"-24"
- LR24** - >24"-39"
- SR24 (2)** - >39"-43"
- SR24 + LR24** - >43"-58"
- LR24 (2)** - >58"-72"
- CPRK** : >11" - 72"
 - Corrugated Pipe Riser Kit.
 - 18" diameter corrugated pipe by others.
 - Used in substitute of SR/LR riser options
 - See CPRK specification for more detail.



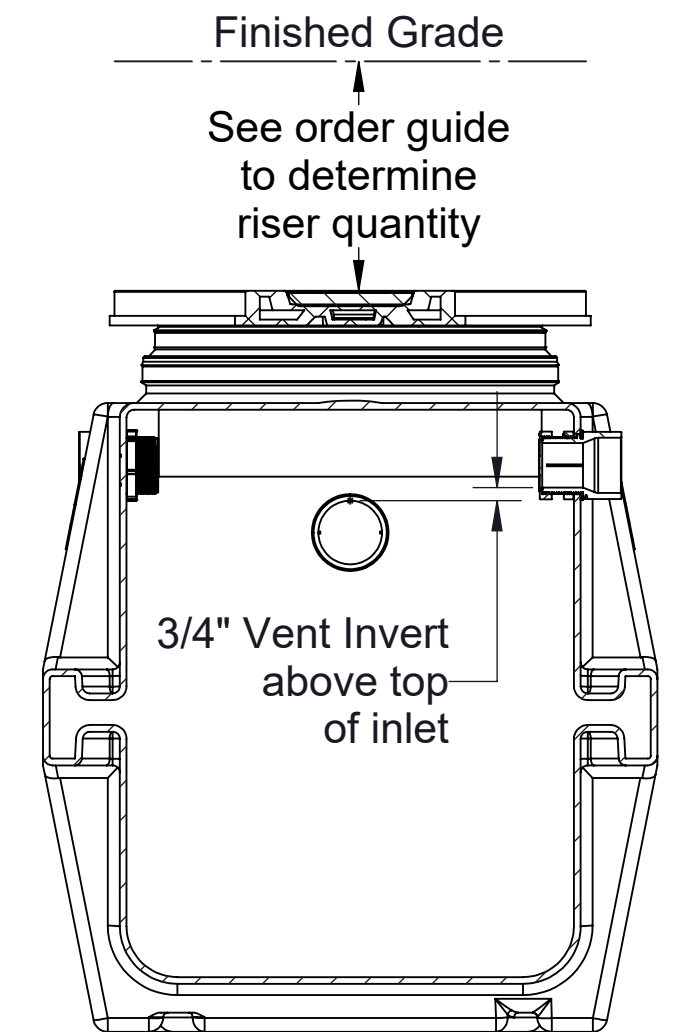
TOP VIEW



ISOMETRIC VIEW



SECTION A-A



SECTION B-B

Signature of Approval: _____
 Company: _____
 Date of Approval: _____
 Specifying Engineer: _____
 Engineering Firm: _____

MODEL NUMBER: FLI-125	
DESCRIPTION: 110 GALLON POLYETHYLENE FLAMMABLE LIQUID INTERCEPTOR, UNRATED	
DWG BY: MJ	DATE: 12/14/2020
REV: 0	ECO:

SPECIFICATION SHEET

Striem
 3100 Brinkerhoff
 Kansas City, KS 66115
 Tel: 913-222-1500
 orders@striemco.com
 www.striemco.com



Made in the U.S.A

PROPRIETARY AND CONFIDENTIAL

THE INFORMATION CONTAINED IN THIS DRAWING IS THE SOLE PROPERTY OF STRIEM, LLC. ANY REPRODUCTION IN PART OR AS A WHOLE WITHOUT THE WRITTEN PERMISSION OF STRIEM, LLC. IS PROHIBITED.