

SPECIFICATIONS (USI-1180 & USI-1184)

1. 1-1/2" or 2" plain end inlet and outlet connections.
2. Liquid capacity: 1.2 Gallons
3. Unit weight: 7 Pounds
4. Max. operating temperature: 140°F continuous.

NOTES

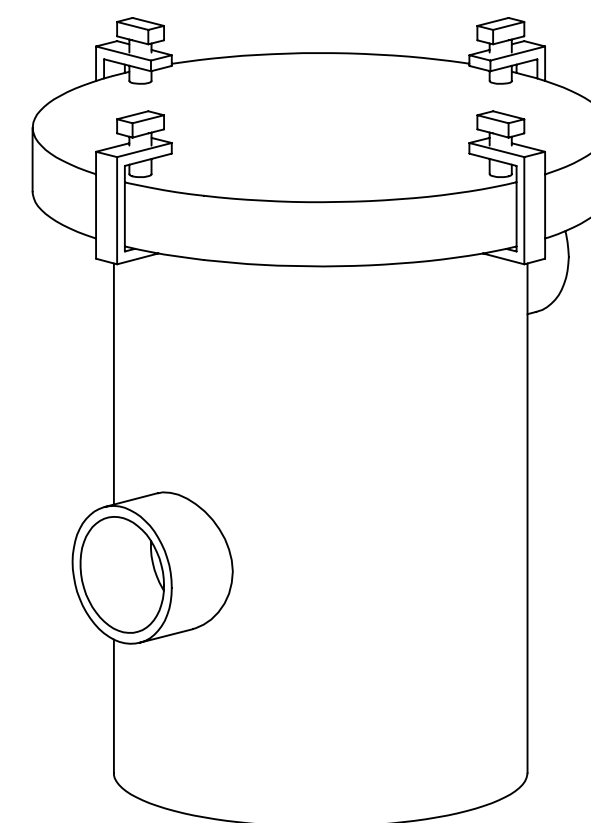
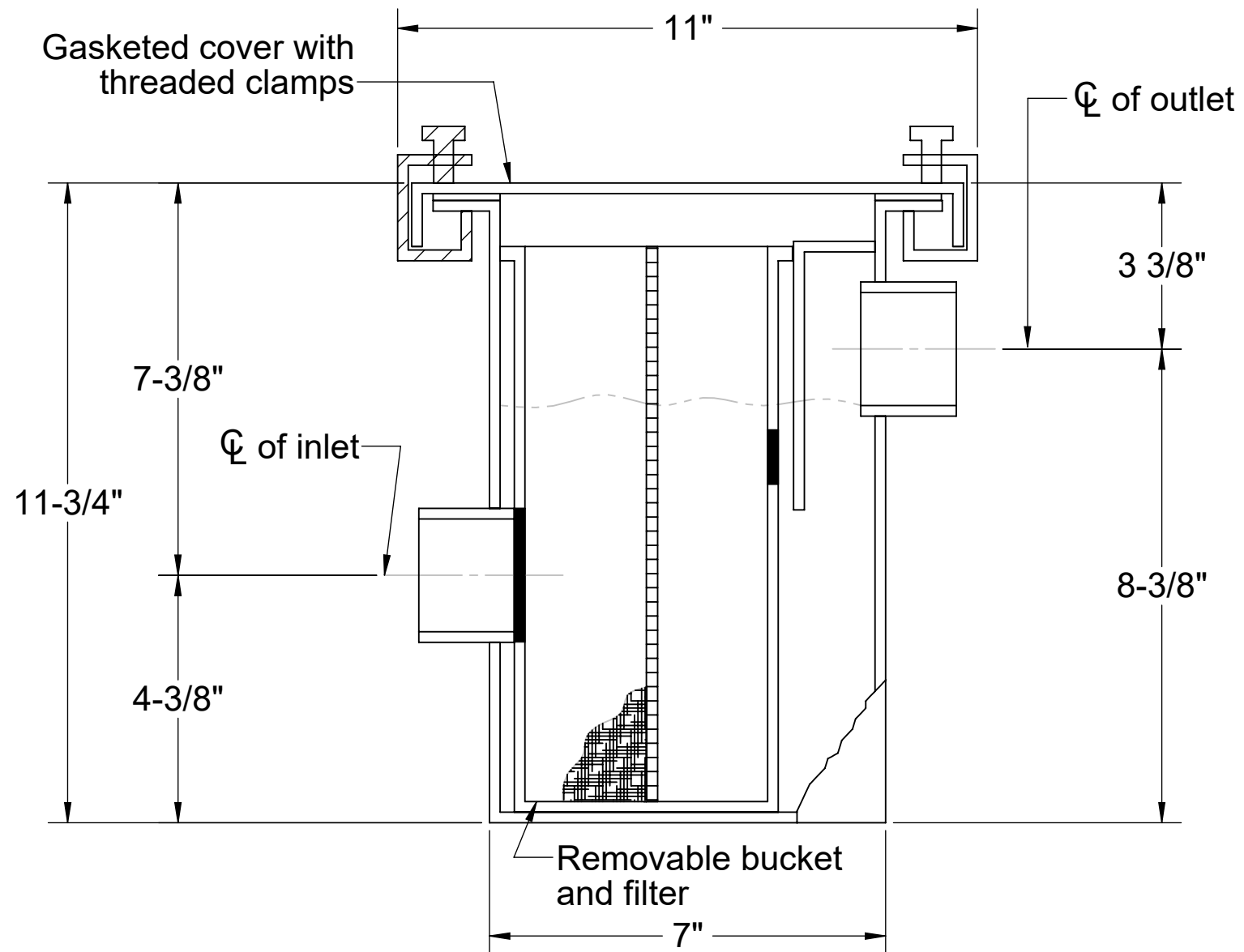
1. For gravity drainage applications only. Do not use for pressure applications.
2. 100% corrosion proof seamless polyethylene construction.
3. Removable debris bucket with removable screen.
4. Built-in sewer gas trap.
5. Watertight up to 36" of head.
6. Clearance height required to pull basket: 11-1/2"

ENGINEER SPECIFICATION GUIDE

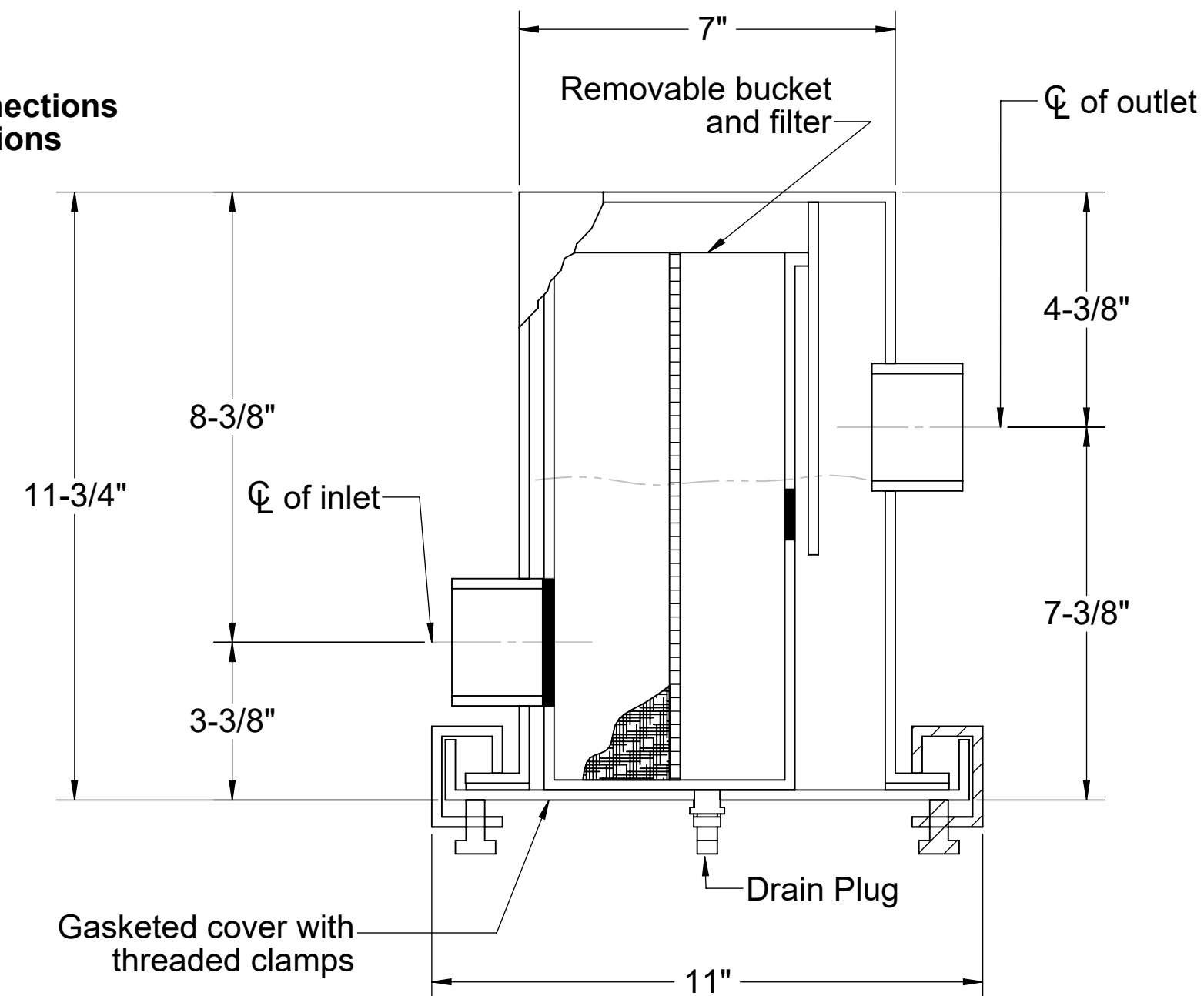
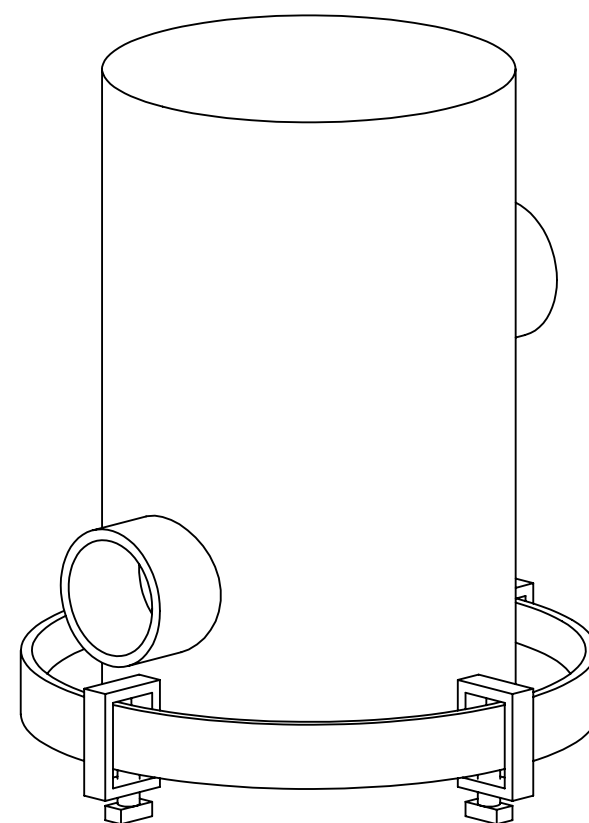
Striem solids Interceptor model USI-1180/1184 shall be lifetime guaranteed and Made in USA of seamless, rotationally-molded High Density Polyethylene with minimum 3/8" uniform wall thickness and removable polyethylene bucket and filter. Interceptor shall be watertight up to 36" head and contain internal sewer gas trap. Interceptor shall have gasketed cover with hand thread clamps.

OPTIONS:

- USI-1180-1 - 1-1/2" Plain end fittings
- USI-1180-2 - 2" Plain end fittings
- USI-1184-1 - 1-1/2" Plain end fittings
- USI-1184-2 - 2" Plain end fittings

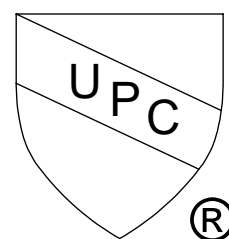


USI-1180-1 = 1-1/2" plain end connections
 USI-1180-2 = 2" plain end connections



USI-1184-1 = 1-1/2" plain end connections
 USI-1184-2 = 2" plain end connections

Signature of Approval: _____
 Company: _____
 Date of Approval: _____
 Specifying Engineer: _____
 Engineering Firm: _____



MODEL NUMBER: USI-1180/USI-1184			
DESCRIPTION: 1.2 GALLON LIQUID HOLDING CAPACITY POINT OF USE POLYETHYLENE SOLIDS INTERCEPTOR			
DWG BY: MJ	DATE: 11/05/2020	REV: 0	ECO:

SPECIFICATION SHEET

Striem
 3100 Brinkerhoff
 Kansas City, KS 66115
 Tel: 913-222-1500
 orders@striemco.com
 www.striemco.com



Made in the U.S.A