

**SPECIFICATIONS**

1. 2" Plain End inlet/outlets.
2. Max flow rate: 35 GPM.
3. Liquids Capacity with high outlet: 16 gal.
4. Liquids Capacity with low outlet: 4 gal.
5. Solids Capacity: 2 gal.
6. Screen Perforations: 1/8" diameter.
7. Unit weight w/std. covers: 42 lbs.
8. Standard cover handles 450 lbs. when unit is directly buried and 2,500 lbs. when buried with SR16 riser.
9. Maximum operating temperature 140°F continuous.

**NOTES**

1. Seamless medium density polyethylene 3/8" wall tank.
2. Cover placement allows full access to tank for proper maintenance.
3. For on-the-floor or buried applications.

**INNOVATIONS**

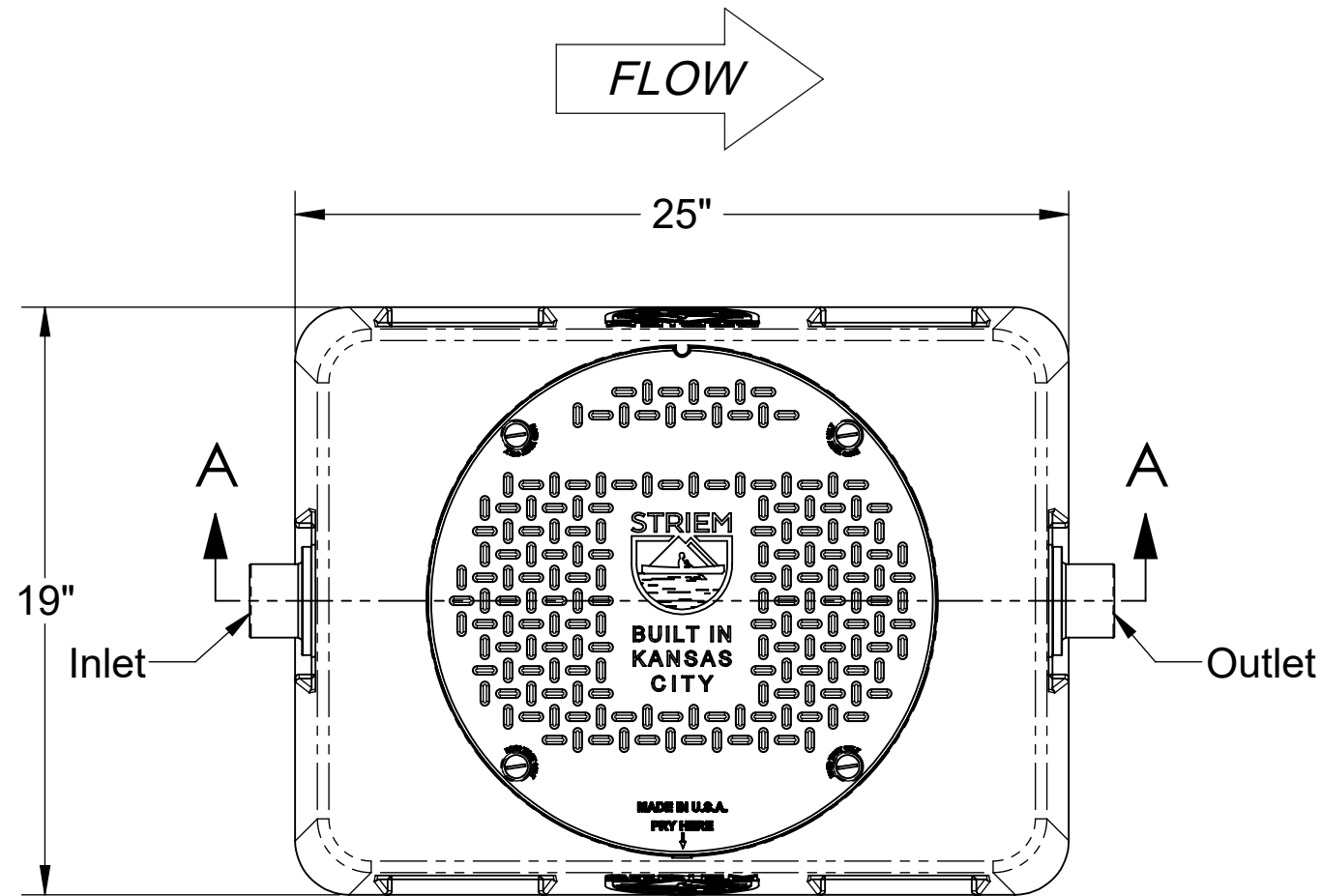
1. **Removable basket interlocks with inlet:** prevents solids from escaping basket.
2. **UNI-FIT™:** basket inserts in one orientation.
3. **All-perforated basket:** basket perforations are more than 17 times inlet opening, creating easy flow in the presence of solids, and limiting the chance for a backup.
4. **Optional low outlet:** if used, it allows for a temporary water surge (acts as a reservoir), as well as keeps basket dry during maintenance.
5. **Movable trap:** sewer gas trap can be field-installed on high or low outlet.

**ENGINEER SPECIFICATION GUIDE**

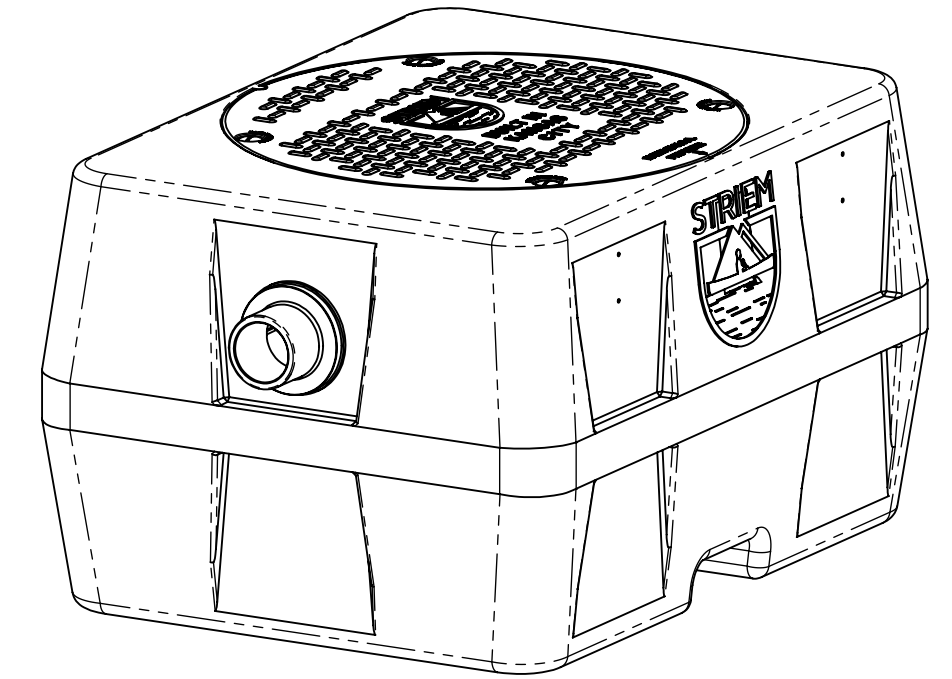
Striem Aardvark™ solids interceptor model AA-S shall be lifetime guaranteed and made in the USA. Tank material shall be polyethylene. Interceptor shall have removable, corrosion-resistant filter basket. Interceptor shall be equipped with high and low outlet options, with a movable sewer gas trap to be located on either outlet. Interceptor shall be furnished for above- or below-grade installation. Cover shall be water and gas tight with a minimum 450 lbs load capacity, or 2,500 lbs capacity when buried with a riser. Interceptor shall be certified to IAPMO IGC 167-2011ae2.

**OPTIONS**

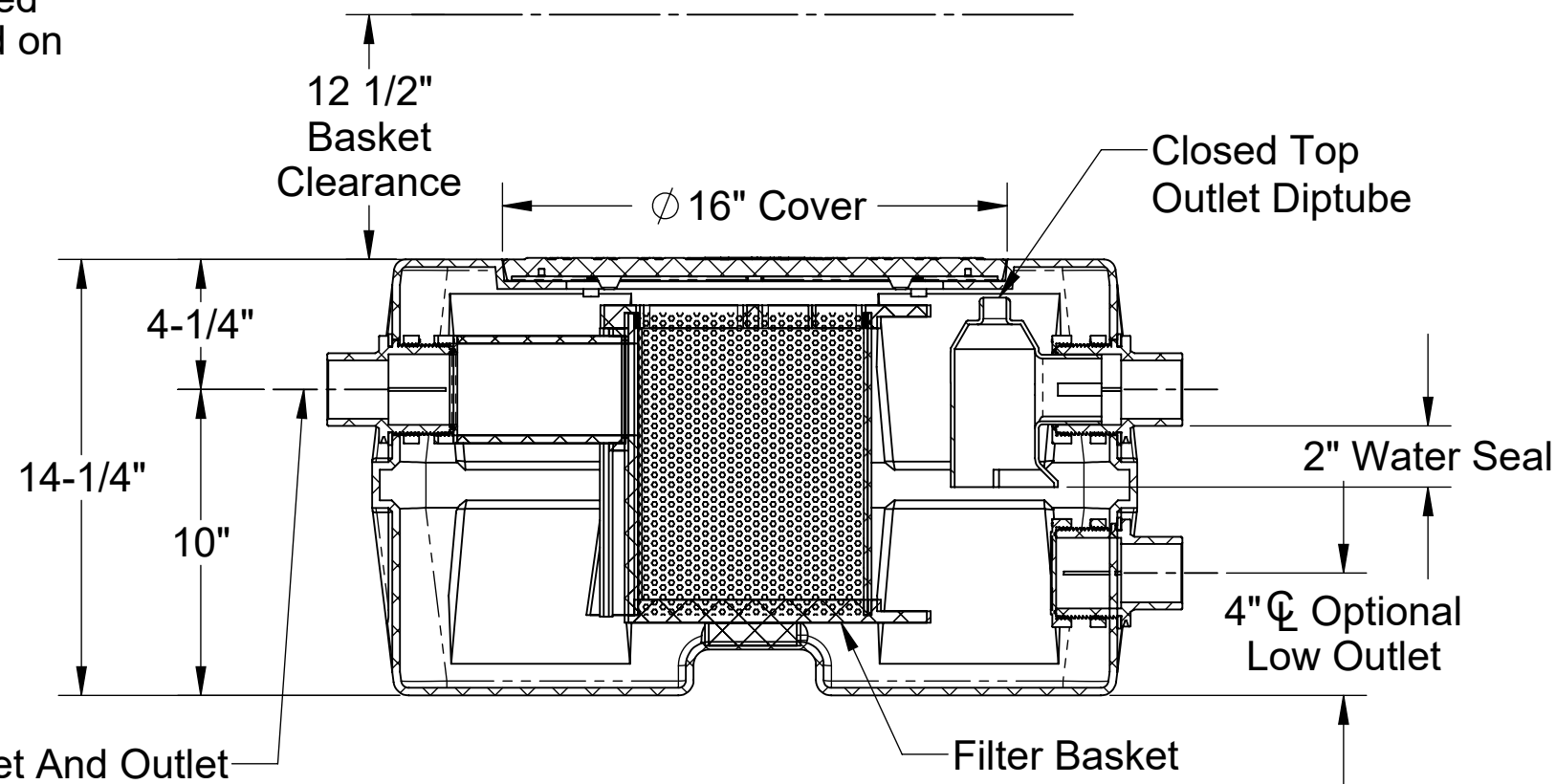
- 2M** - 2" Male Thread Inlet / Outlet
- 3P** - 3" Plain End SCH.40 Inlet / Outlet
- 3M** - 3" Male Thread Inlet / Outlet
- SR16** - 2-1/16"-16" 16 Series Riser
- CC16** - 2-1/16"-16" 16 Series Riser with Integral Membrane Clamping Collar Kit



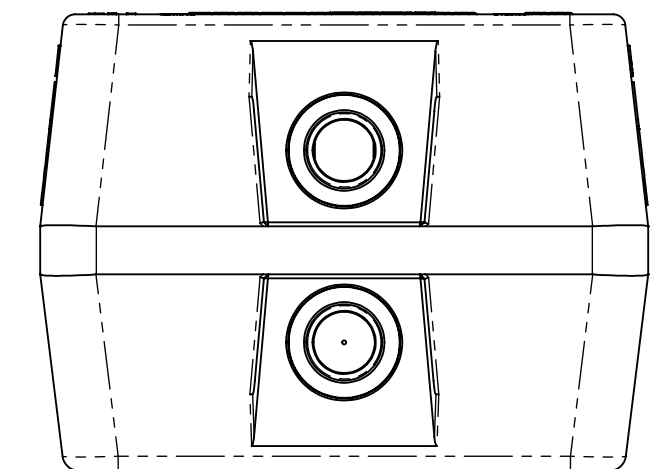
**TOP VIEW**



**ISOMETRIC VIEW**



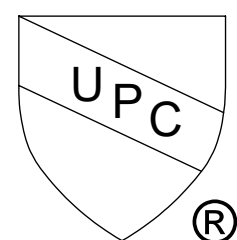
**SECTION "A-A"**



**OUTLET END VIEW**

Signature of Approval: \_\_\_\_\_  
 Company: \_\_\_\_\_  
 Date of Approval: \_\_\_\_\_  
 Specifying Engineer: \_\_\_\_\_  
 Engineering Firm: \_\_\_\_\_

US Patent No.  
US10786761B2



<b>MODEL NUMBER:</b> AA-S	
<b>DESCRIPTION:</b> AARDVARK™ SMALL BASKET-STYLE SOLIDS INTERCEPTOR	
<b>DWG BY:</b> MJ	<b>DATE:</b> 11/09/2020 <b>REV:</b> 0 <b>ECO:</b>

**SPECIFICATION SHEET**

**Striem**  
 3100 Brinkerhoff  
 Kansas City, KS 66115  
 Tel: 913-222-1500  
 orders@striemco.com  
 www.striemco.com



Made in the U.S.A

PROPRIETARY AND CONFIDENTIAL  
 THE INFORMATION CONTAINED IN THIS DRAWING IS THE SOLE PROPERTY OF STRIEM, LLC.  
 ANY REPRODUCTION IN PART OR AS A WHOLE WITHOUT THE WRITTEN PERMISSION OF STRIEM, LLC. IS  
 PROHIBITED.