

**SPECIFICATIONS**

1. 3" Plain End inlet/outlets.
2. Max flow rate: 50 GPM.
3. Liquids Capacity with high outlet: 38 gal.
4. Liquids Capacity with low outlet: 12 gal.
5. Solids Capacity: 6 gal.
6. Screen Perforations: 1/8" diameter.
7. Unit weight w/std. covers: 83 lbs.
8. Composite cover: 2,000 lbs. capacity.
9. Maximum operating temperature 140°F continuous.

**NOTES**

1. Seamless medium density polyethylene 3/8" wall tank.
2. Cover placement allows full access to tank for proper maintenance.
3. For on-the-floor or buried applications.

**INNOVATIONS**

1. **Removable basket interlocks with inlet:** prevents solids from escaping basket.
2. **UNI-FIT™:** basket inserts in one orientation.
3. **All-perforated basket:** basket perforations are more than 24 times inlet opening, creating easy flow in the presence of solids, and limiting the chance for a backup.
4. **Optional low outlet:** if used, it allows for a temporary water surge (acts as a reservoir), as well as keeps basket dry during maintenance.
5. **Movable trap:** sewer gas trap can be field-installed on high or low outlet.

**ENGINEER SPECIFICATION GUIDE**

Striem Aardvark™ solids interceptor model AA-M shall be lifetime guaranteed and made in the USA. Tank material shall be polyethylene. Interceptor shall have removable, corrosion-resistant filter basket. Interceptor shall be equipped with high and low outlet options, with a movable sewer gas trap to be located on either outlet. Interceptor shall be furnished for above- or below-grade installation. Cover shall be water and gas tight with a minimum 2,000 lbs load capacity. Interceptor shall be certified to IAPMO IGC 167-2011ae2.

**OPTIONS**

- 3M** - 3" Male Thread Connections
- 4P** - 4" Plain End SCH.40 Connections\*
- 4M** - 4" Male Thread Connections\*
- CC24** - Integral Membrane Clamping Collar Kit

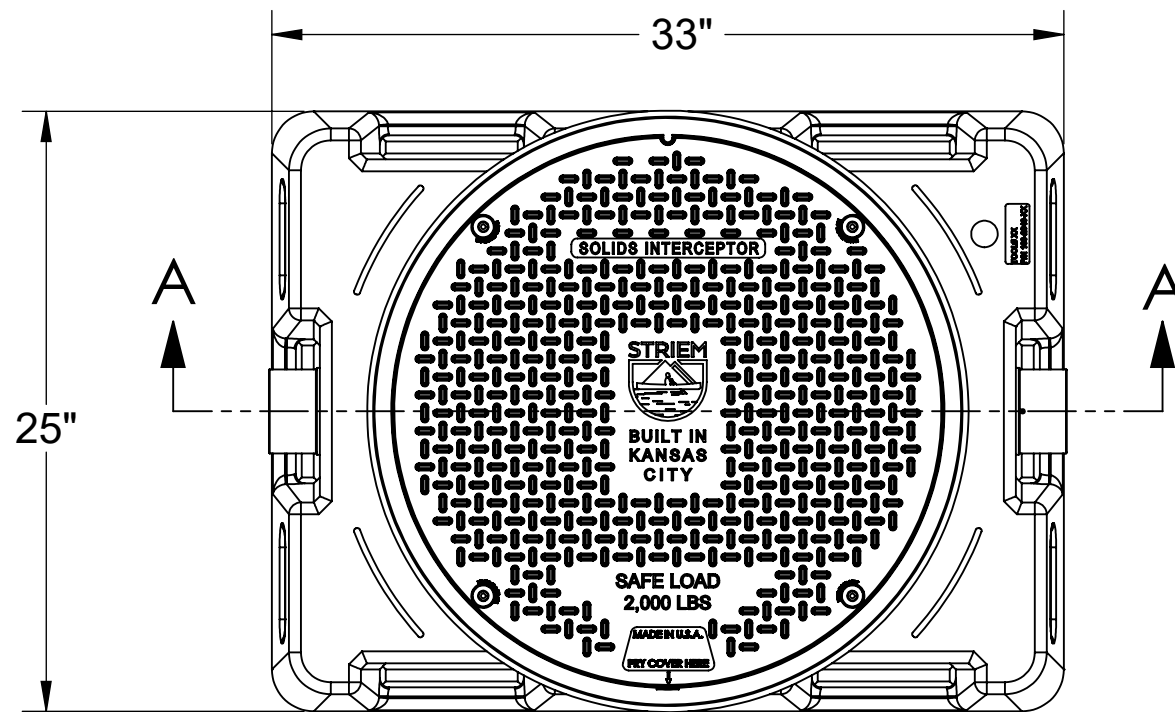
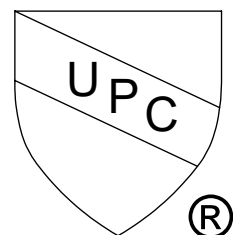
\* Optional sewer gas trap not compatible with low outlet if 4" connections are selected.

**TeleGlide RISER OPTIONS**

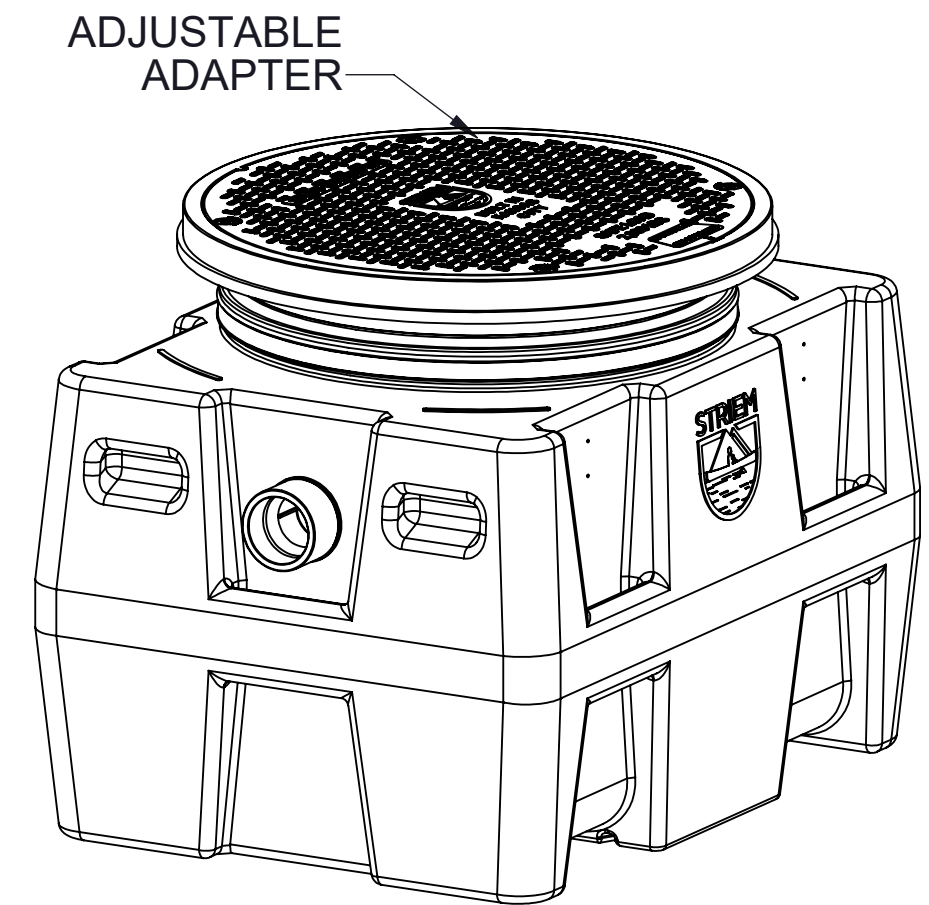
- SR-24** -> 3-1/2"-22"
- LR-24** -> 22"-37"

Signature of Approval: \_\_\_\_\_  
 Company: \_\_\_\_\_  
 Date of Approval: \_\_\_\_\_  
 Specifying Engineer: \_\_\_\_\_  
 Engineering Firm: \_\_\_\_\_

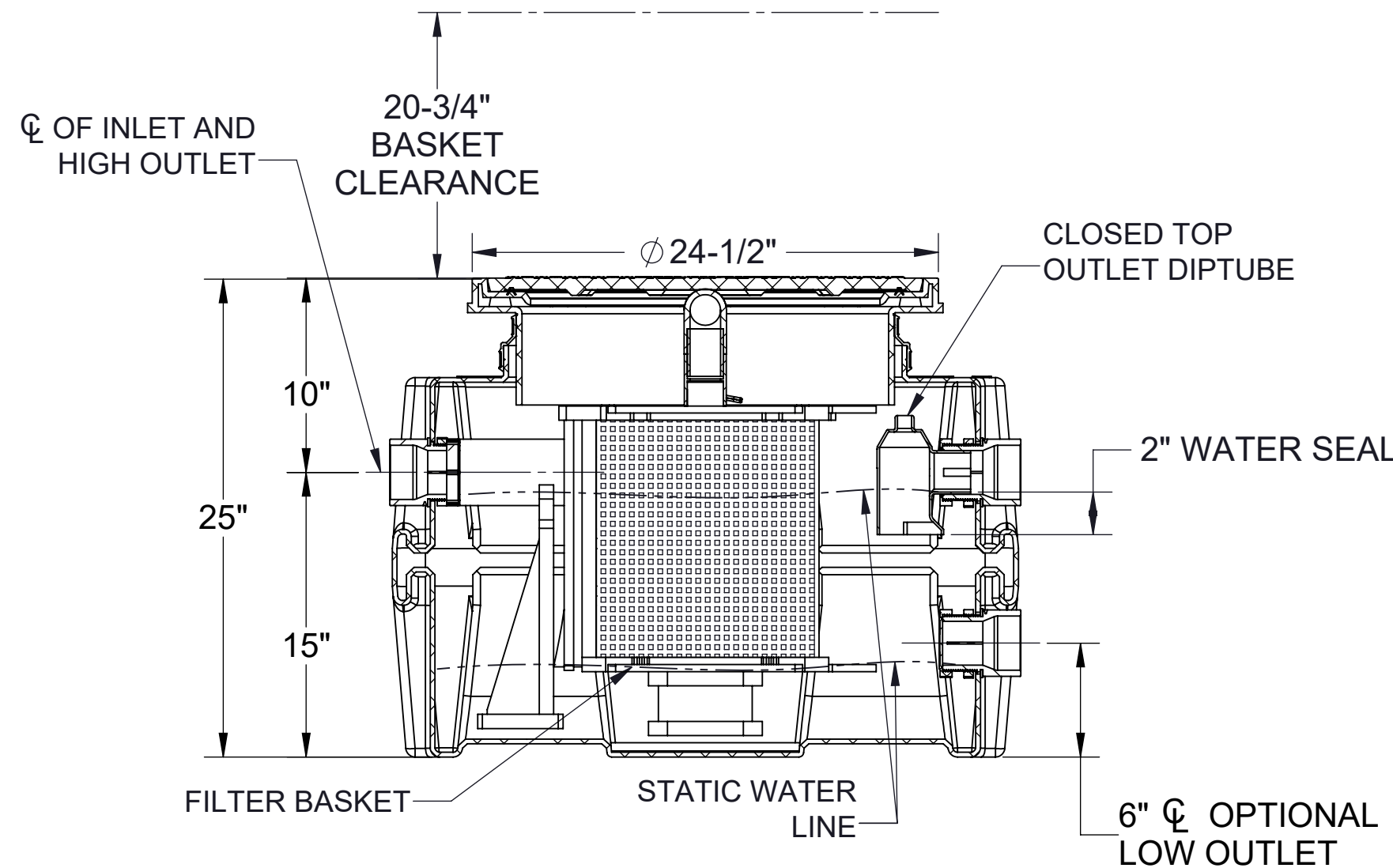
US Patent No.  
US10786761B2



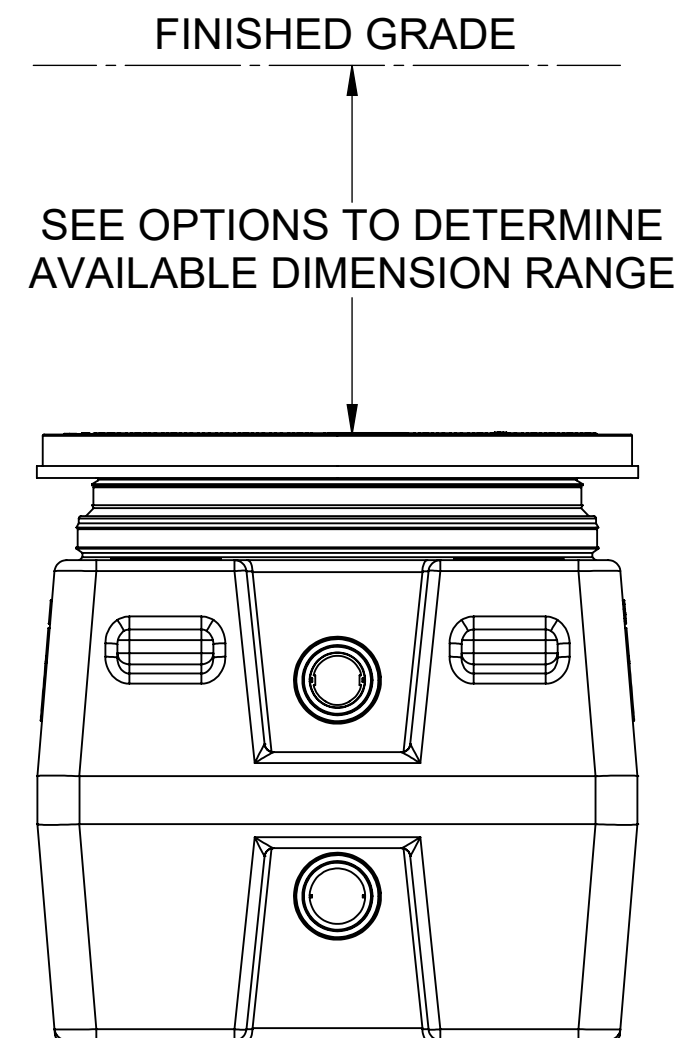
**TOP VIEW**



**ISOMETRIC VIEW**



**SECTION "A-A"**



**OUTLET END VIEW**

<b>MODEL NUMBER:</b> AA-M	
<b>DESCRIPTION:</b> AARDVARK™ MEDIUM BASKET-STYLE SOLIDS INTERCEPTOR	
<b>DWG BY:</b> MJ	<b>DATE:</b> 11/09/2020
<b>REV:</b> 0	<b>ECO:</b>

**SPECIFICATION SHEET**

**Striem**  
 3100 Brinkerhoff  
 Kansas City, KS 66115  
 Tel: 913-222-1500  
 orders@striemco.com  
 www.striemco.com



Made in the U.S.A

PROPRIETARY AND CONFIDENTIAL  
 THE INFORMATION CONTAINED IN THIS DRAWING IS THE SOLE PROPERTY OF STRIEM, LLC.  
 ANY REPRODUCTION IN PART OR AS A WHOLE WITHOUT THE WRITTEN PERMISSION OF STRIEM, LLC. IS PROHIBITED.