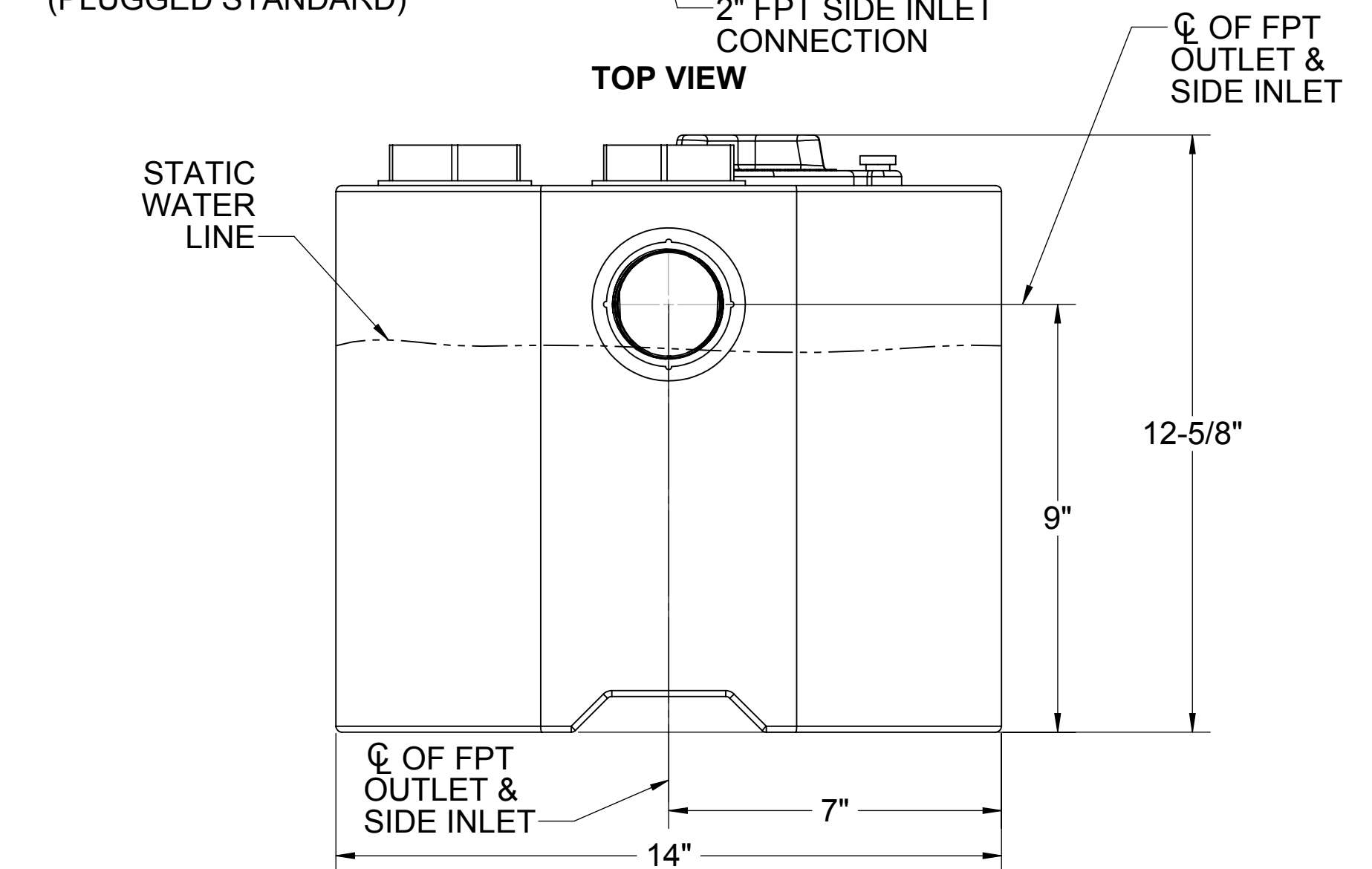
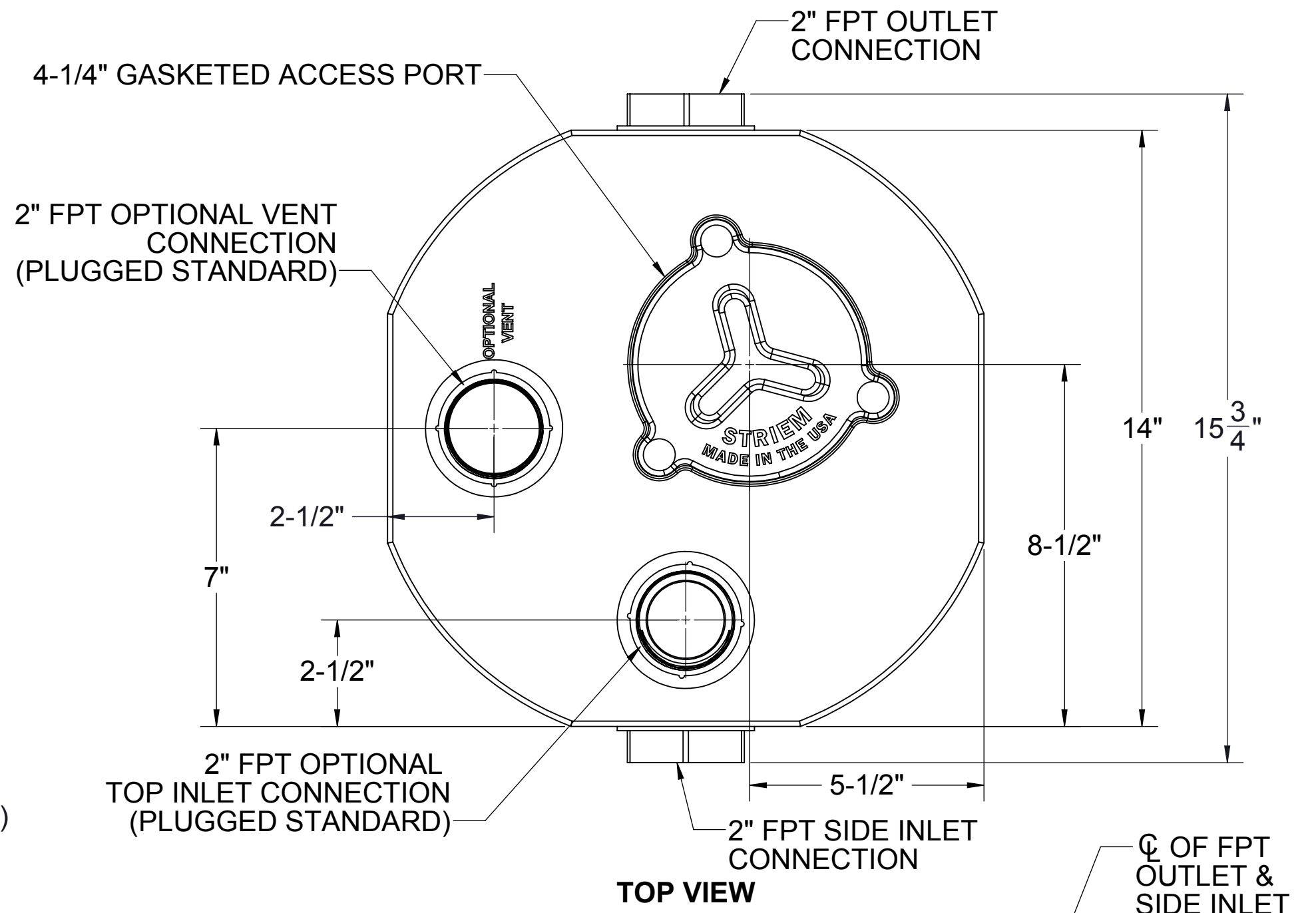
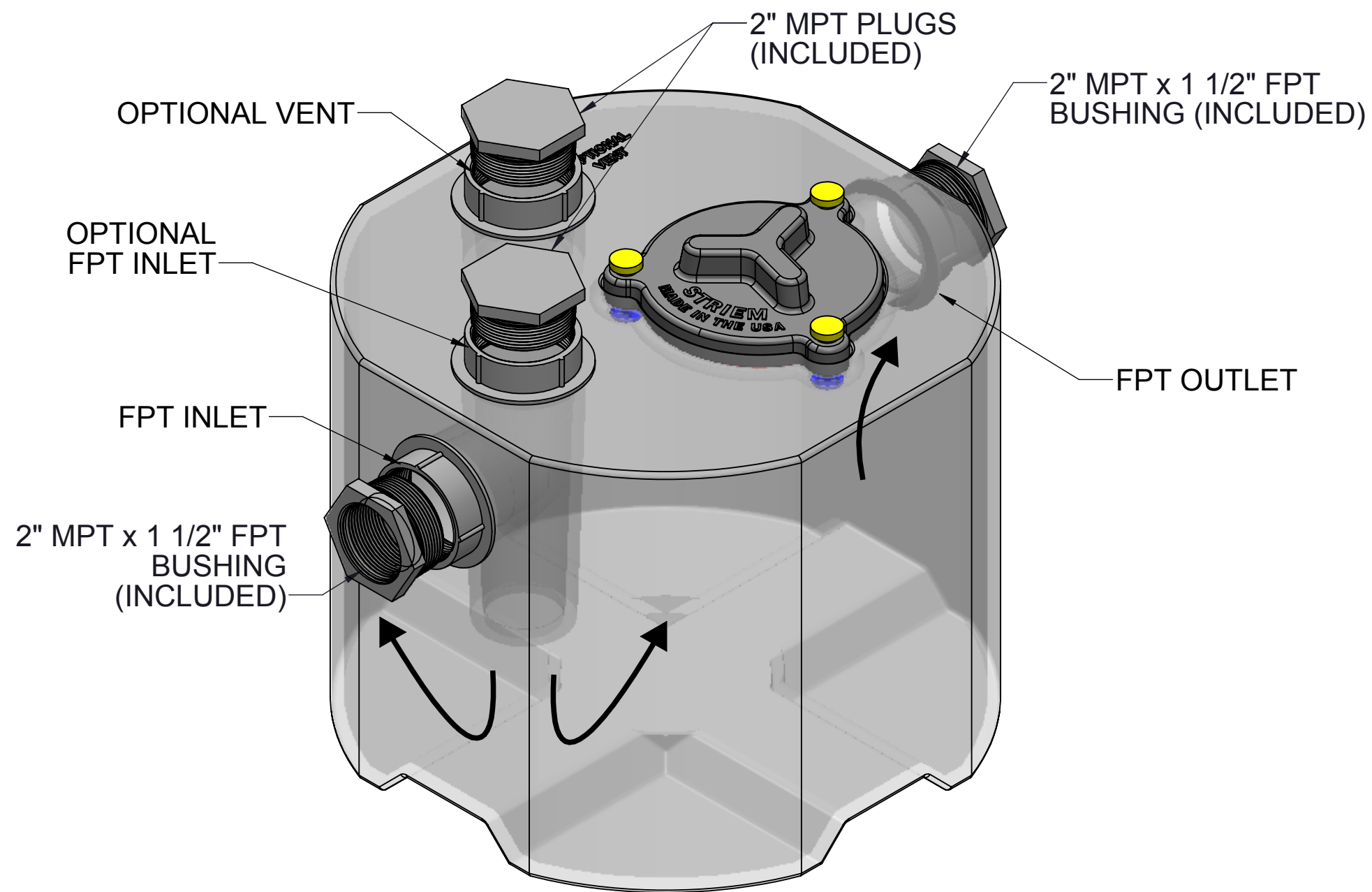


**SPECIFICATIONS**

1. Seamless polyethylene construction.
2. Liquid capacity: 5.6 Gallons (1-1/2"), 5.3 Gallons (2")
3. 1-1/2" or 2" FPT connections standard (polypropylene bushings included).
4. Top inlet and side inlet options standard.
5. Optional vent connection standard.
6. 4-1/4" gasketed top access port with captive hand-thread hardware.
7. Built-in sewer gas trap.
8. Bottom of tank must be supported if not sitting on floor. Support must hold at least 80 lbs. Bottom of tank designed to accommodate 4" plastic pipe (by others) as a support option.
9. 50-pound limestone capacity (sold separately).
10. Unit weight: 11 lbs (dry), 58 lbs (wet), 76.5 lbs (wet, with limestone).
11. Uses: Neutralization (w/ limestone) or dilution (no limestone).

**ENGINEER SPECIFICATION GUIDE**

Striem Lab Rat neutralization tank model LB-5 shall be lifetime guaranteed and Made in USA of seamless, rotationally-molded polyethylene with minimum 1/4" uniform wall thickness. Tank shall be furnished with top or side inlet connection field-adaptable for 1-1/2" or 2" drain line pipe size. Tank shall be watertight up to 36" head and contain an internal sewer gas trap. Tank shall have gasketed cover with captive hand-threaded hardware.



**INLET SIDE VIEW**

<b>MODEL NUMBER:</b> LB-5	
<b>DESCRIPTION:</b>  POINT OF USE NEUTRALIZATION TANK	
<b>DWG BY:</b> RS	<b>DATE:</b> 10/29/10
<b>REV:</b>	<b>ECO:</b>

**SPECIFICATION SHEET**

**Striem**  
3100 Brinkerhoff  
Kansas City, KS 66115  
Tel: 913-222-1500  
Fax: 913-291-0457  
www.striemco.com



Made in the U.S.A

PROPRIETARY AND CONFIDENTIAL

THE INFORMATION CONTAINED IN THIS DRAWING IS THE SOLE PROPERTY OF STRIEM, LLC. ANY REPRODUCTION IN PART OR AS A WHOLE WITHOUT THE WRITTEN PERMISSION OF STRIEM, LLC IS PROHIBITED.