

SPECIFICATIONS

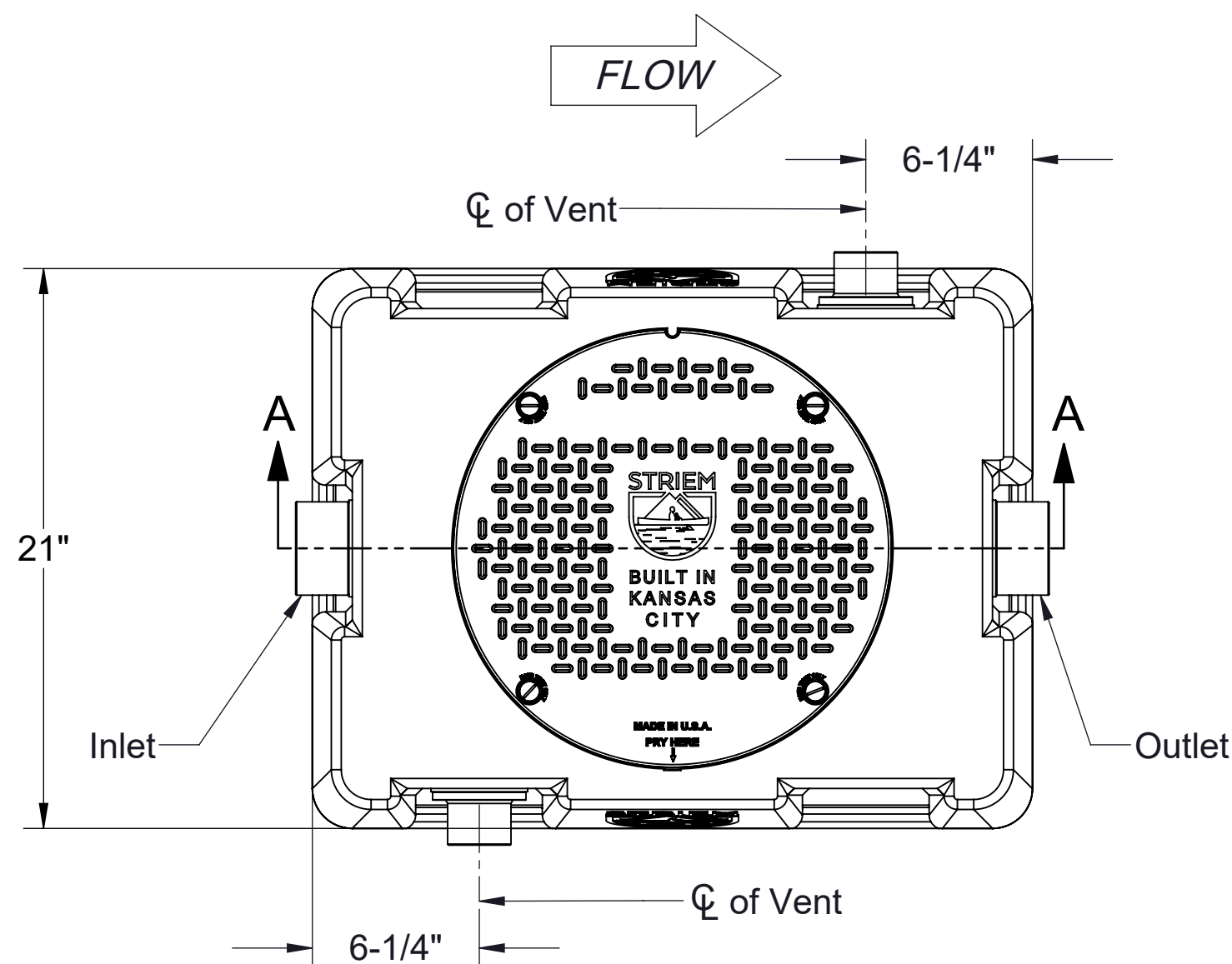
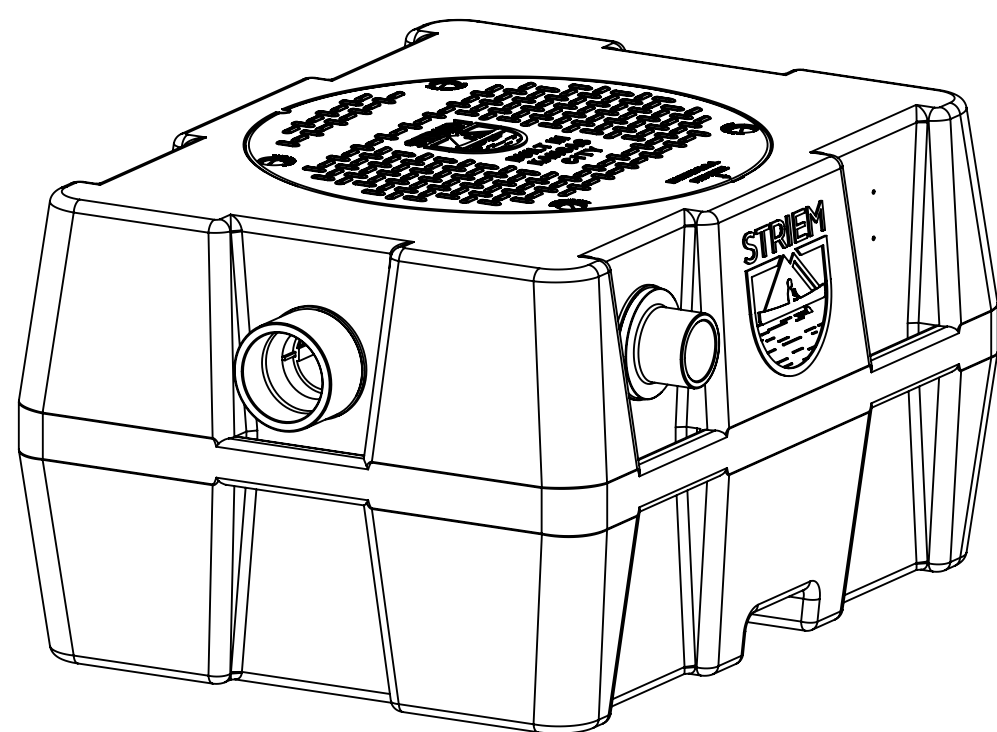
1. Liquid holding capacity: 21 Gallons
2. Unit weight w/std. cover: 31 Pounds
3. Composite cover: 2,000 lb capacity (standard).
4. Maximum operating temperature 140 °F continuous.

NOTES

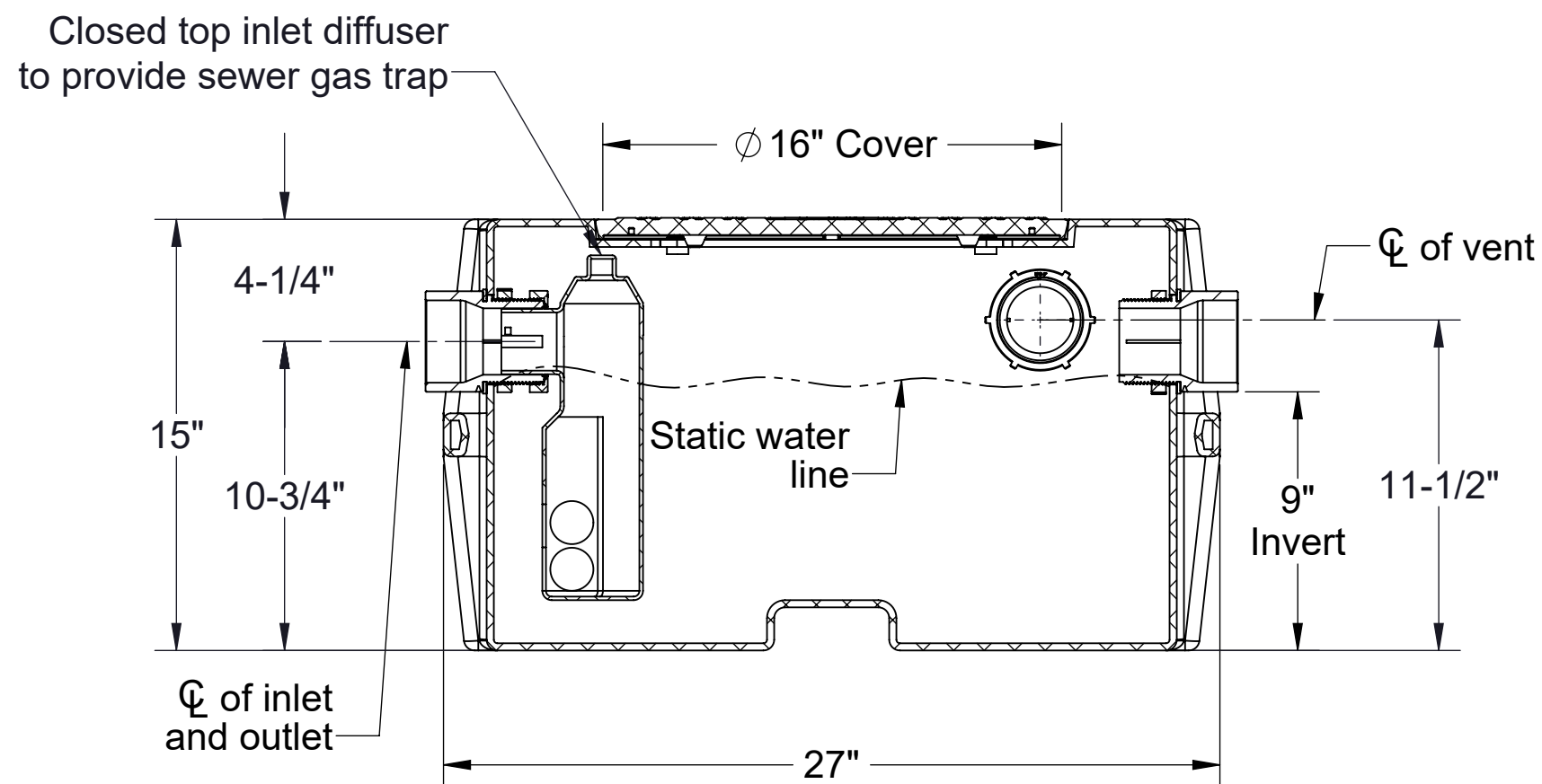
1. For gravity drainage applications only. Do not use for pressure applications.
2. 3/8" thick seamless medium density polyethylene walls.
3. Cover placement allows full access to tank for proper maintenance.
4. Engineered inlet diffuser is removable to inspect/clean piping.
5. For on the-floor or buried applications.

ENGINEER SPECIFICATION GUIDE

Striem Lab Basin™ neutralization tank model LB-25 shall be lifetime guaranteed and Made in USA of seamless, rotationally-molded polyethylene with minimum 3/8" uniform wall thickness. Tank shall be furnished with inlets, outlets, (2) vent connections, cover, riser system, monitoring equipment and other modifications per jobsite-specific conditions and per engineer's specification.



TOP VIEW



SECTION "A-A"

Directions: Complete steps 1-3 and submit signed with purchase order.

1. Choose Connection Types.

- | | |
|--|-----------------------------|
| Inlet / Outlet | Size |
| <input type="checkbox"/> Plain End | <input type="checkbox"/> 2" |
| <input type="checkbox"/> Female Thread | <input type="checkbox"/> 3" |
| <input type="checkbox"/> Flanged | |

- | | |
|-------------|-----------------------------|
| Vent | Size |
| Plain End | <input type="checkbox"/> 2" |
| | <input type="checkbox"/> 3" |

2. Diptube Location.

- Diptube at: Inlet Outlet Both (Ohio Code)
(Provided on inlet if not specified)

3. Additional Options.

- SR16** - 2-1/8"-16" 16 Series Riser
- CC-1** - Command Center pH Monitoring Package
 - SPK-A** - Above Grade Sensor Placement Kit*
 - SPK-B** - Below Grade Sensor Placement Kit*
- 90%+ Calcium Carbonate Limestone (300 lbs.)

*Required with CC-1

Signature of Approval: _____
 Company: _____
 Date of Approval: _____
 Specifying Engineer: _____
 Engineering Firm: _____

MODEL NUMBER: LB-25	
DESCRIPTION: LAB BASIN SERIES POLYETHYLENE CHEMICAL WASTE TANK	
DWG BY: RS	DATE: 10/6/20
REV: 02	ECO:

SPECIFICATION SHEET

Striem
 3100 Brinkerhoff
 Kansas City, KS 66115
 Tel: 913-222-1500
 Fax: 913-291-0457
 www.striemco.com



Made in the U.S.A

PROPRIETARY AND CONFIDENTIAL

THE INFORMATION CONTAINED IN THIS DRAWING IS THE SOLE PROPERTY OF STRIEM, LLC. ANY REPRODUCTION IN PART OR AS A WHOLE WITHOUT THE WRITTEN PERMISSION OF STRIEM, LLC. IS PROHIBITED.