

SPECIFICATIONS

1. Liquid holding capacity: 250 Gallons
2. Unit weight w/std. cover: 230 Pounds
3. Highway rated bolted composite cover.
4. Maximum operating temperature 140 °F continuous.

NOTES

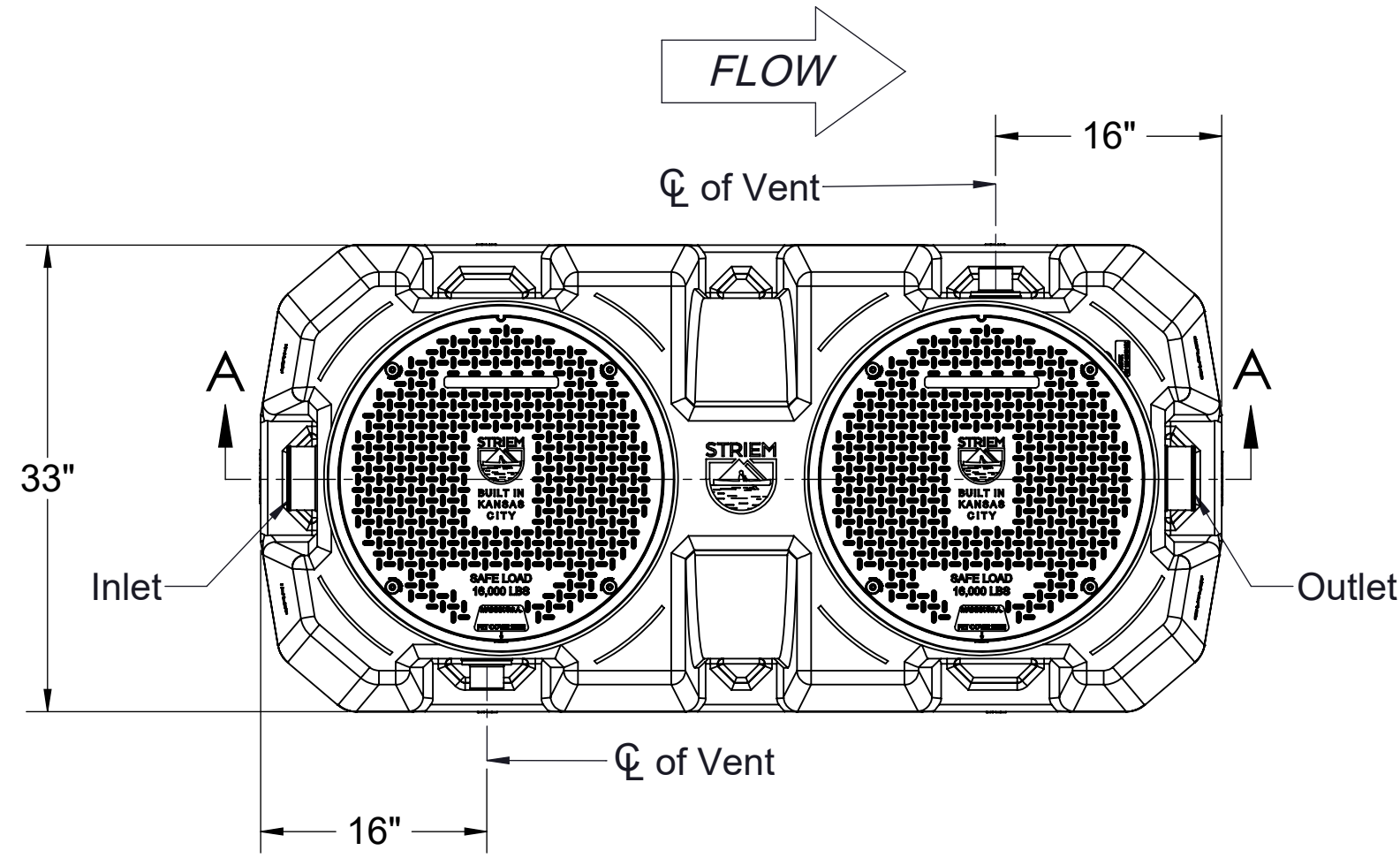
1. For gravity drainage applications only. Do not use for pressure applications.
2. 3/8" thick seamless medium density polyethylene walls.
3. Unit supplied with built-in adapter(s) for up to 5" of adjustability. Additional riser(s) available for deeper burial depth.
4. Cover placement allows full access to tank for proper maintenance.
5. Engineered inlet diffuser is removable to inspect/clean piping.
6. For on the-floor or buried applications.

ENGINEER SPECIFICATION GUIDE

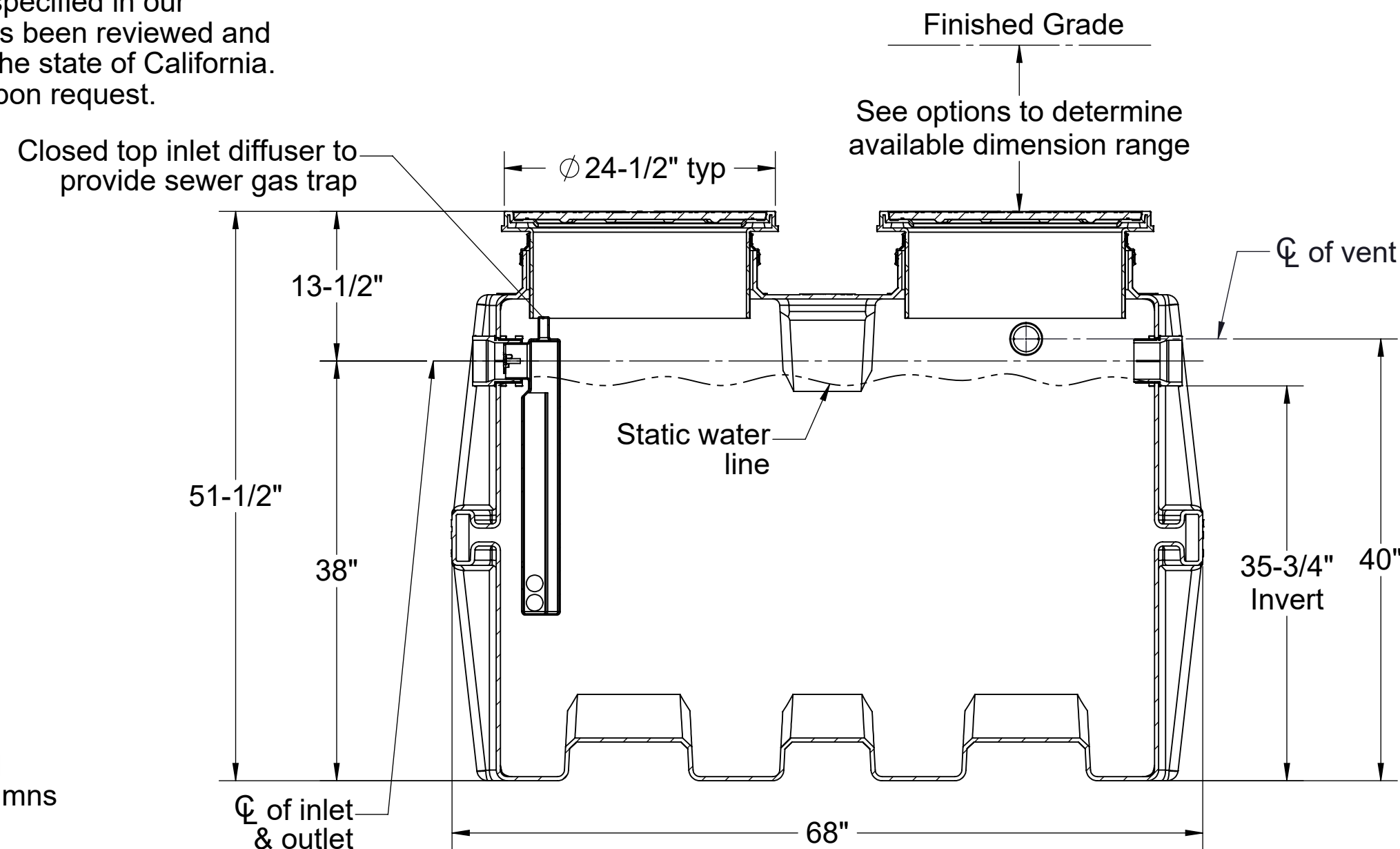
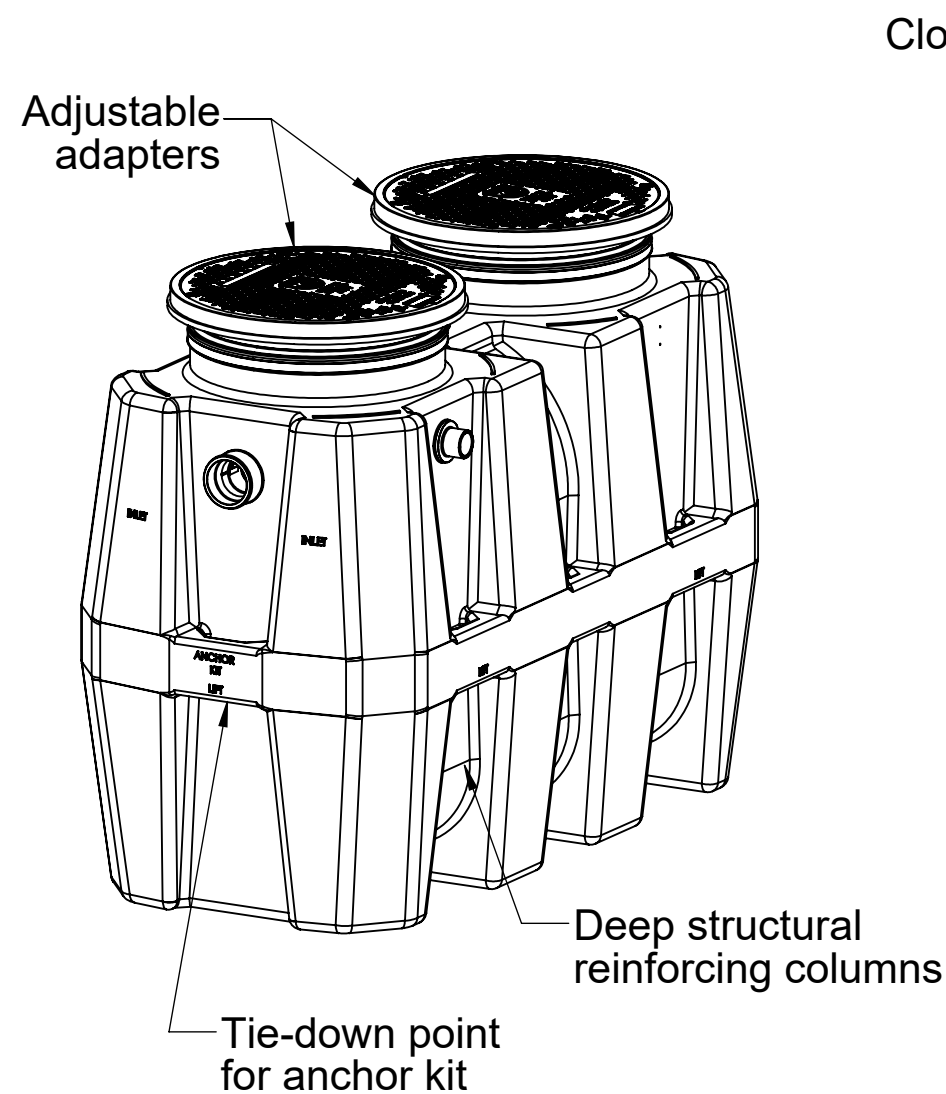
Striem Lab Basin™ neutralization tank model LB-275 shall be lifetime guaranteed and Made in USA of seamless, rotationally-molded polyethylene with minimum 3/8" uniform wall thickness. Tank shall be furnished with inlets, outlets, (2) vent connections, cover, riser system, monitoring equipment and other modifications per jobsite-specific conditions and per engineer's specification.

THIRD PARTY STRUCTURAL ANALYSIS

The LB-275 has been structurally analyzed in accordance with the requirements of IBC 2012 and ASCE/SEI 7 for direct burial. The maximum burial depth and backfill material are specified in our installation instructions. The structural design has been reviewed and sealed by a professional engineer registered in the state of California. A sealed structural analysis report is available upon request.



TOP VIEW



SECTION "A-A"

Directions: Complete steps 1-4 and submit signed with purchase order.

1. Choose Connection Types.

- | | |
|--|---|
| Inlet / Outlet | Size |
| <input type="checkbox"/> Plain End | <input type="checkbox"/> 3" |
| <input type="checkbox"/> Female Thread | <input type="checkbox"/> 4" |
| <input type="checkbox"/> Flanged | <input type="checkbox"/> 6" (Female Thread Not Available) |
| Vent | Size |
| Plain End | <input type="checkbox"/> 2" |
| | <input type="checkbox"/> 3" |

2. Diptube Location.

- Diptube at:** Inlet Outlet Both (Ohio Code)
(Provided on inlet if not specified)

3. Riser Options.

- Included : 0" - 5"**
- SR24 (2) :** >5" - 24"
 - LR24 (2) :** >24" - 39"
 - SR24 (4) :** >39" - 43"
 - SR24 (2) + LR24 (2) :** >43" - 58"
 - LR24 (4) :** >58" - 72"
 - SR24 (2) + LR24 (4) :** >72" - 90"
- OR -**
- CPRK (2) :** >11" - 90"
 - Corrugated Pipe Riser Kit.
 - Used in substitute of SR/LR riser options.
 - 18" diameter corrugated pipe by others.
 - See CPRK specification for more detail.

4. Additional Options.

- CC-1 - Command Center pH Monitoring Package**
- SPK-A - Above Grade Sensor Placement Kit***
- SPK-B - Below Grade Sensor Placement Kit***
- HDK-2 - High Water Table Anchor Kit**
- 90%+ Calcium Carbonate Limestone (3,150 lbs.)**

*Required with CC-1

Signature of Approval: _____

Company: _____

Date of Approval: _____

Specifying Engineer: _____

Engineering Firm: _____

PROPRIETARY AND CONFIDENTIAL

THE INFORMATION CONTAINED IN THIS DRAWING IS THE SOLE PROPERTY OF STRIEM, LLC. ANY REPRODUCTION IN PART OR AS A WHOLE WITHOUT THE WRITTEN PERMISSION OF STRIEM, LLC. IS PROHIBITED.

MODEL NUMBER:	LB-275
DESCRIPTION:	LAB BASIN SERIES POLYETHYLENE CHEMICAL WASTE TANK
DWG BY: MJ	DATE: 12/14/2020 REV: 02 ECO:

SPECIFICATION SHEET

Striem
3100 Brinkerhoff
Kansas City, KS 66115
Tel: 913-222-1500
orders@striemco.com
www.striemco.com

Made in the U.S.A

