

Technical Specifications

1. NEMA 4X lockable enclosure.
2. 120 VAC power supply required.
3. All components are UL listed.
4. Sensor can be mounted up to 3,000 feet from Command Center™.

Standard Features

1. Ready-To-Use: Pre-programmed audio/visual alarm set points.
2. Touch-screen: Bright, easy-to-navigate 3.5" color touch-screen display.
3. Large Memory Storage: Includes two formatted micro SD card. Each card stores approximately 1 year of history.
4. Exports to Excel: Recorded data logs, alarm history, and trend data export to Excel for easy data management.
5. Remote Access: Use Ethernet connection to remotely manage the Command Center™ through your company's building management system.
6. Fresh Water Flush: Pre-programmed with digital output to power solenoid valve for fresh water flush if pH approaches high/low limits.
7. Weather proof enclosure and temperature resistant from 32 °F to 122 °F.

ENGINEERS SPECIFICATION

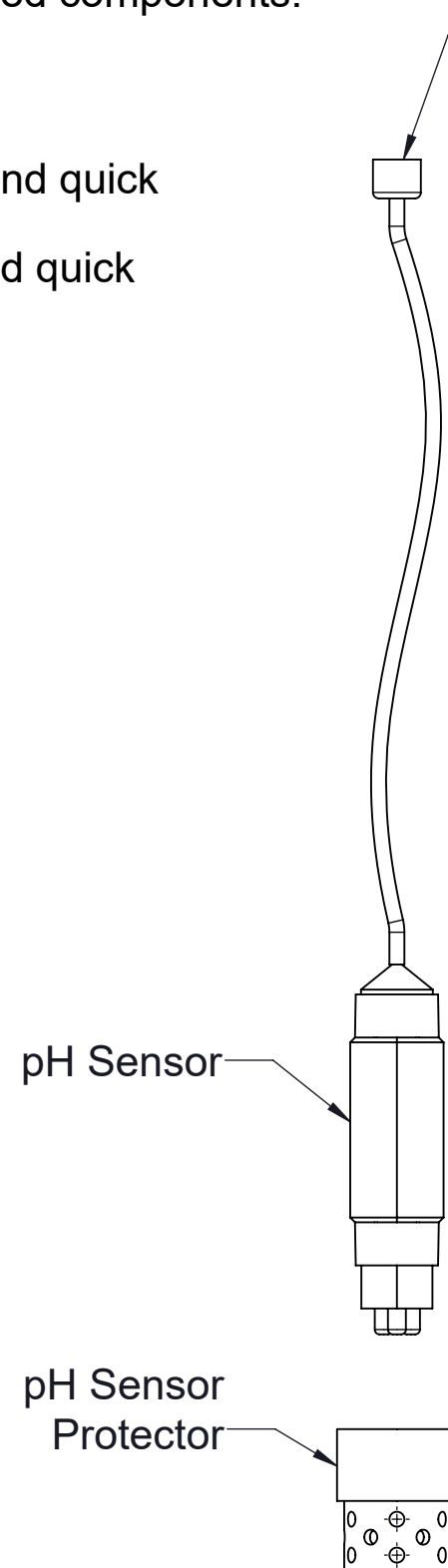
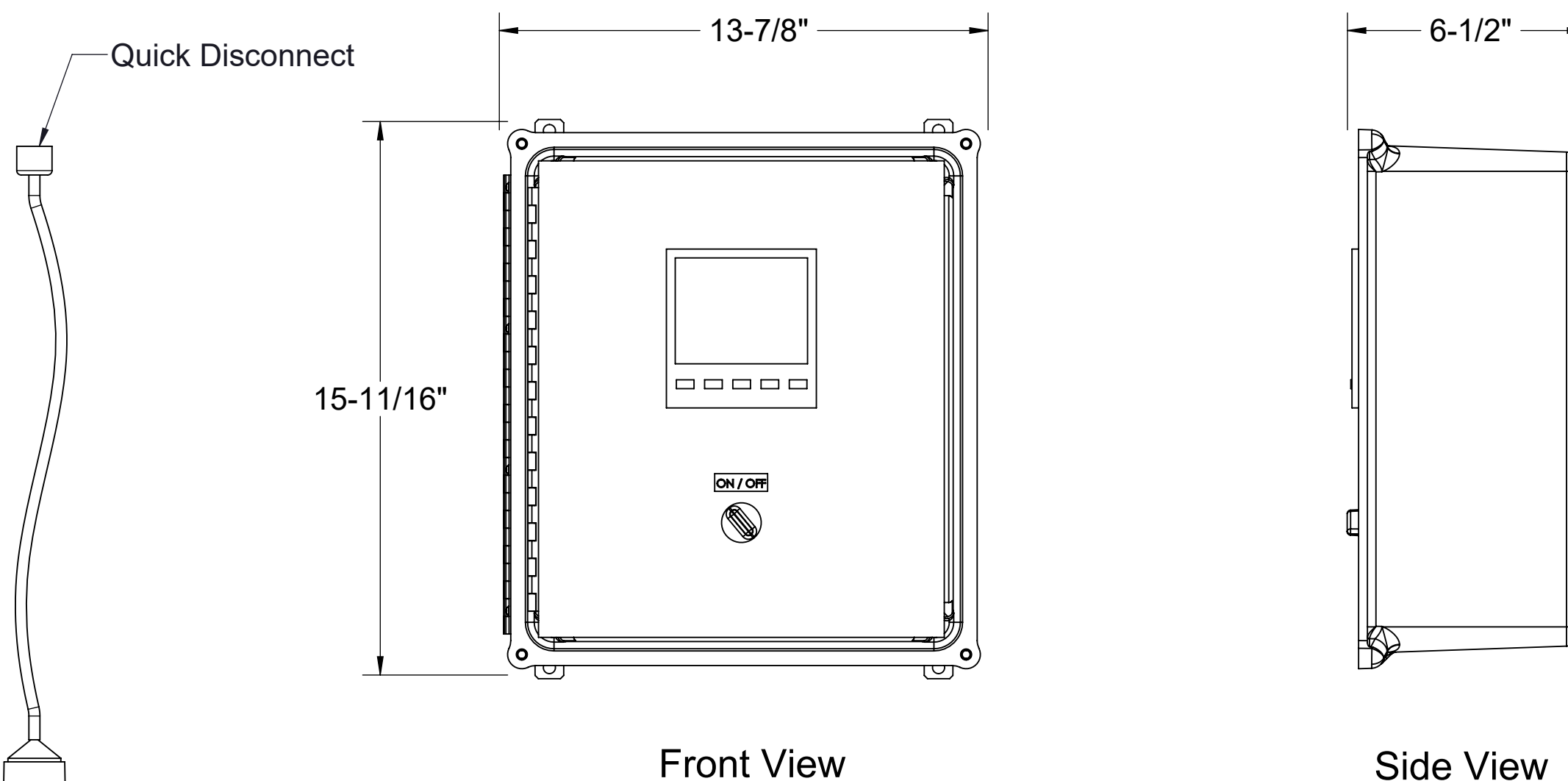
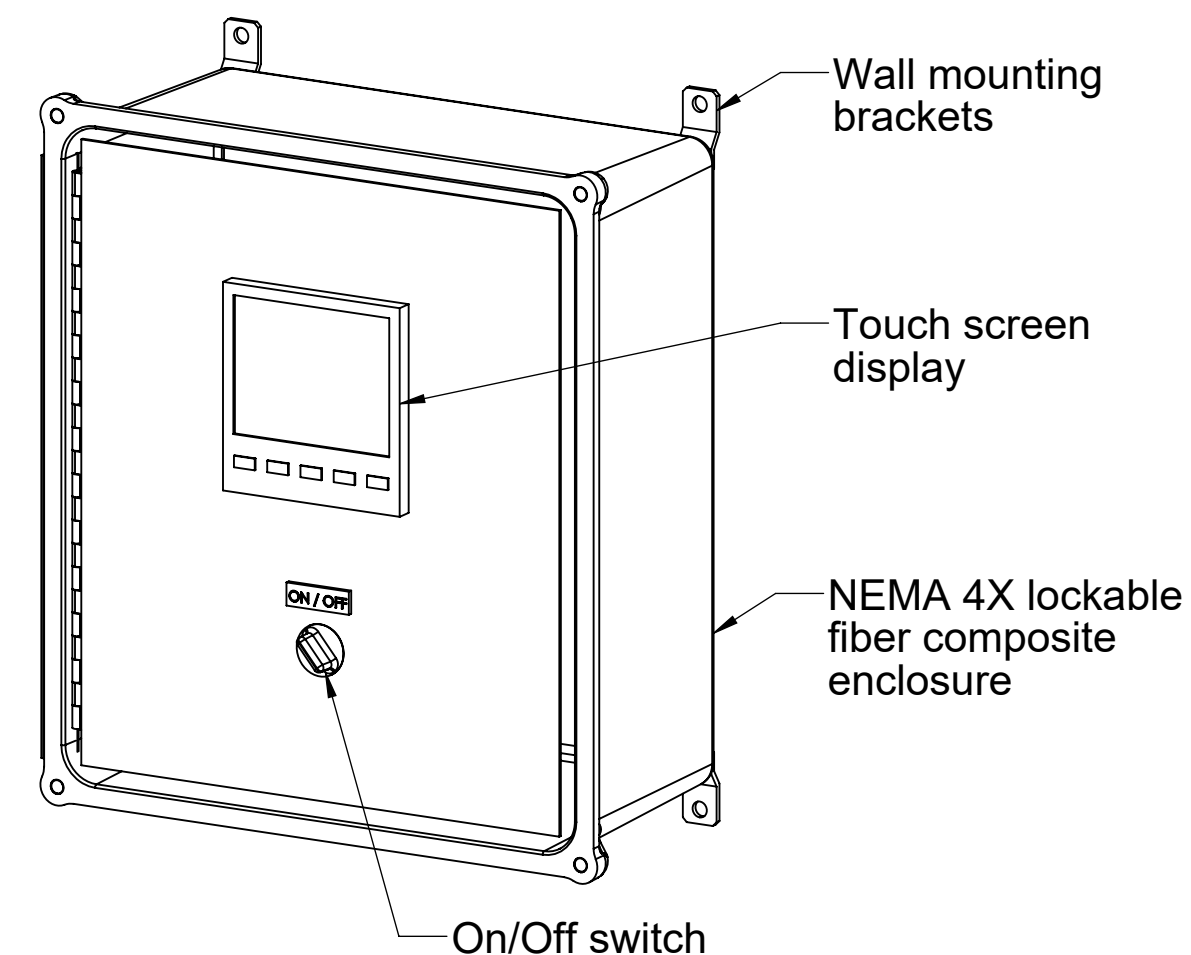
Command Center Series with touch screen pH recorder/controller furnished with 2.5 years of recording memory, audio and visual alarms, preprogrammed and 'ready to use' with high and low pH set points and logic to flush outlet line with fresh water as pH approaches high and low set points (solenoid and piping by others), pH sensor maintenance kit containing sensor cleaning brush and solution, and calibration buffer solutions, NEMA 4X lockable enclosure, and fully UL listed components.

Options

- Configured for single pH probe with 10 feet of wire and quick disconnect clip
- Configured for two pH probes with 10 feet of wire and quick disconnect clip on each probe
- Additional sensor cable
- Quick disconnect clip for additional sensor cable
- Sensor maintenance and calibration kit

Components

- Control Panel
- pH Sensor
- pH Sensor Protector
- 50' Cable
- SD Cards With Adapters
- USB Flash Drive
- Ice Cube Relay
- Sensor Maintenance And Calibration Kit



| | | | |
|------------------------------------------------------|--|--------------------------------------------------------------------------------------------------------------------------|--|
| MODEL NUMBER: CC1 & CC2 | | SPECIFICATION SHEET | |
| DESCRIPTION: COMMAND CENTER pH MONITOR | | | |
| DWG BY: RS | | DATE: 6/22/20 | |
| REV: | | ECO: | |
| | | Striem 3100 Brinkerhoff Kansas City, KS 66115 Tel: 913-222-1500 Fax: 913-291-0457 www.striemco.com | |
| | | Made in the U.S.A | |
| | | | |

PROPRIETARY AND CONFIDENTIAL

THE INFORMATION CONTAINED IN THIS DRAWING IS THE SOLE PROPERTY OF STRIEM, LLC. ANY REPRODUCTION IN PART OR AS A WHOLE WITHOUT THE WRITTEN PERMISSION OF STRIEM, LLC. IS PROHIBITED.