

**SPECIFICATIONS (SPK-B)**

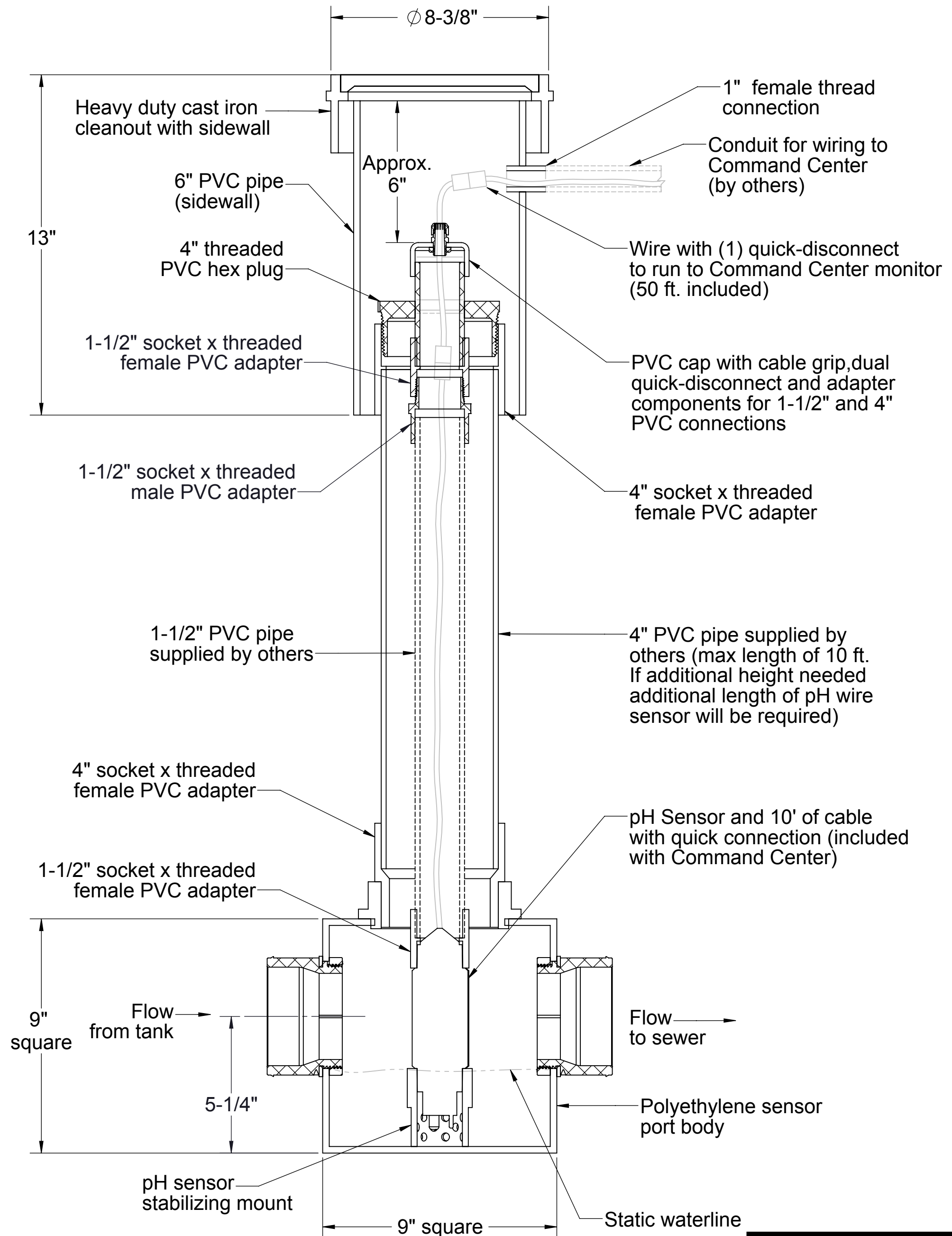
1. Liquid holding capacity: 1 Gallon
2. Maximum operating temperature 190°F continuous.
3. Heavy duty cast iron cover with sidewall

**NOTES**

1. For below grade placement of pH probe for CC-1 or CC-2 pH Command Center monitoring package
2. For gravity drainage applications only. Do not use for pressure applications.
3. 3/8" thick seamless high density polyethylene walls.
4. Unit for below grade installation

**OPTIONS**

- Seamless polyethylene tank material.
- Plain end connections available in 1-1/2", 2", 3", 4" and 6" pipe size
- Female pipe thread connections available in 1-1/2", 2", 3" and 4" pipe size.
- Flanged pipe connections available in 1-1/2", 2", 3", 4" and 6" pipe size



<b>MODEL NUMBER:</b> SPK-B	
<b>DESCRIPTION:</b> BELOW GRADE pH SENSOR PLACEMENT KIT	
<b>DWG BY:</b> RS	<b>DATE:</b> 3/1/17
<b>REV:</b>	<b>ECO:</b>

**SPECIFICATION SHEET**

**Striem**  
 9500 Woodend Road  
 Edwardsville, KS 66111  
 Tel: 913-222-1500  
 Fax: 913-951-3399  
 www.striemco.com

Made in the U.S.A



**PROPRIETARY AND CONFIDENTIAL**  
 THE INFORMATION CONTAINED IN THIS DRAWING IS THE SOLE PROPERTY OF STRIEM, LLC. ANY REPRODUCTION IN PART OR AS A WHOLE WITHOUT THE WRITTEN PERMISSION OF STRIEM, LLC. IS PROHIBITED.