

SPECIFICATIONS

1. 3" Plain End inlet/outlets.
2. Max flow rate: 50 GPM.
3. Liquids Capacity with high outlet: 38 gal.
4. Liquids Capacity with low outlet: 12 gal.
5. Solids Capacity: 6 gal.
6. Screen Perforations: 1/8" diameter.
7. Unit weight w/std. covers: 83 lbs.
8. Composite cover: 2,000 lbs. capacity.
9. Maximum operating temperature 140°F continuous.

NOTES

1. Seamless medium density polyethylene 3/8" wall tank.
2. Cover placement allows full access to tank for proper maintenance.
3. For on the-floor or buried applications.

INNOVATIONS

1. **Removable basket interlocks with inlet:** prevents solids from escaping basket.
2. **UNI-FIT™:** basket inserts in one orientation.
3. **All-perforated basket:** basket perforations are more than 24 times inlet opening, creating easy flow in the presence of solids, and limiting the chance for a backup.
4. **Optional low outlet:** if used, it allows for a temporary water surge (acts as a reservoir), as well as keeps basket dry during maintenance.
5. **Movable trap:** sewer gas trap can be field-installed on high or low outlet.

ENGINEER SPECIFICATION GUIDE

Striem Aardvark™ solids interceptor model AA-M shall be lifetime guaranteed and made in the USA. Tank material shall be polyethylene. Interceptor shall have removable, corrosion-resistant filter basket. Interceptor shall be equipped with high and low outlet options, with a movable sewer gas trap to be located on either outlet. Interceptor shall be furnished for above- or below-grade installation. Cover shall be water and gas tight with a minimum 2,000 lbs load capacity. Interceptor shall be certified to IAPMO IGC 167-2011ae2.

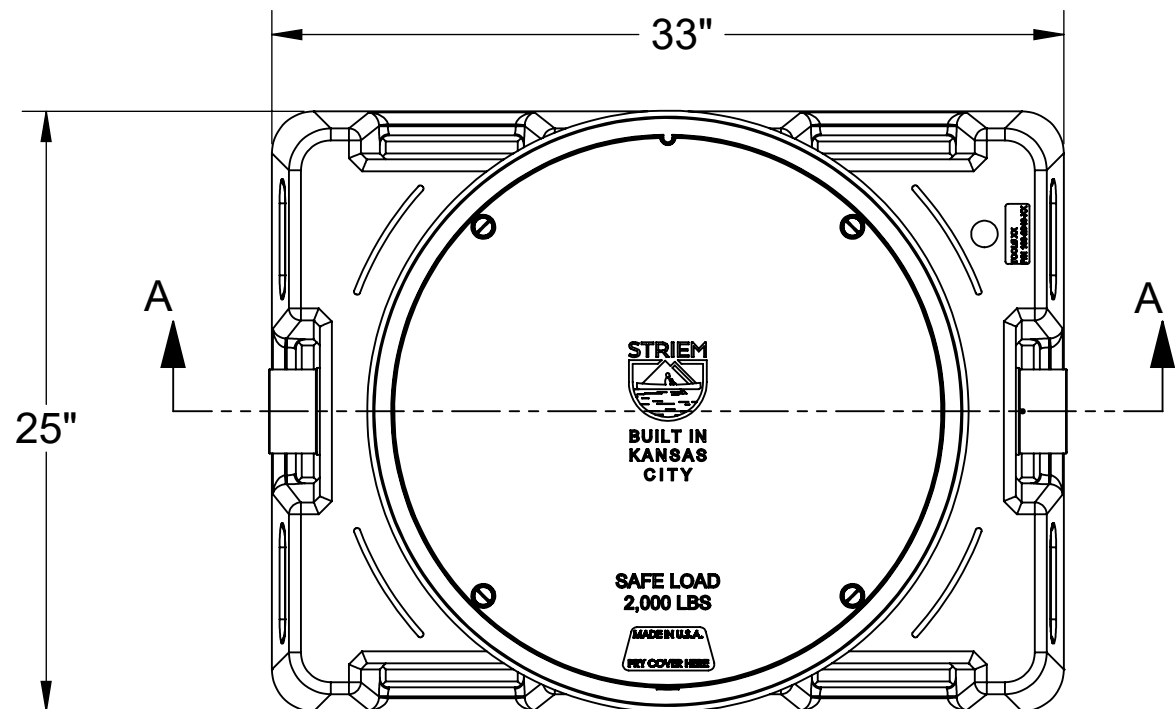
OPTIONS

- 3M:** 3" Male Thread Connections
- 4P:** 4" Plain End SCH.40 Connections*
- 4M:** 4" Male Thread Connections*
- CC24:** Integral Membrane Clamping Collar Kit

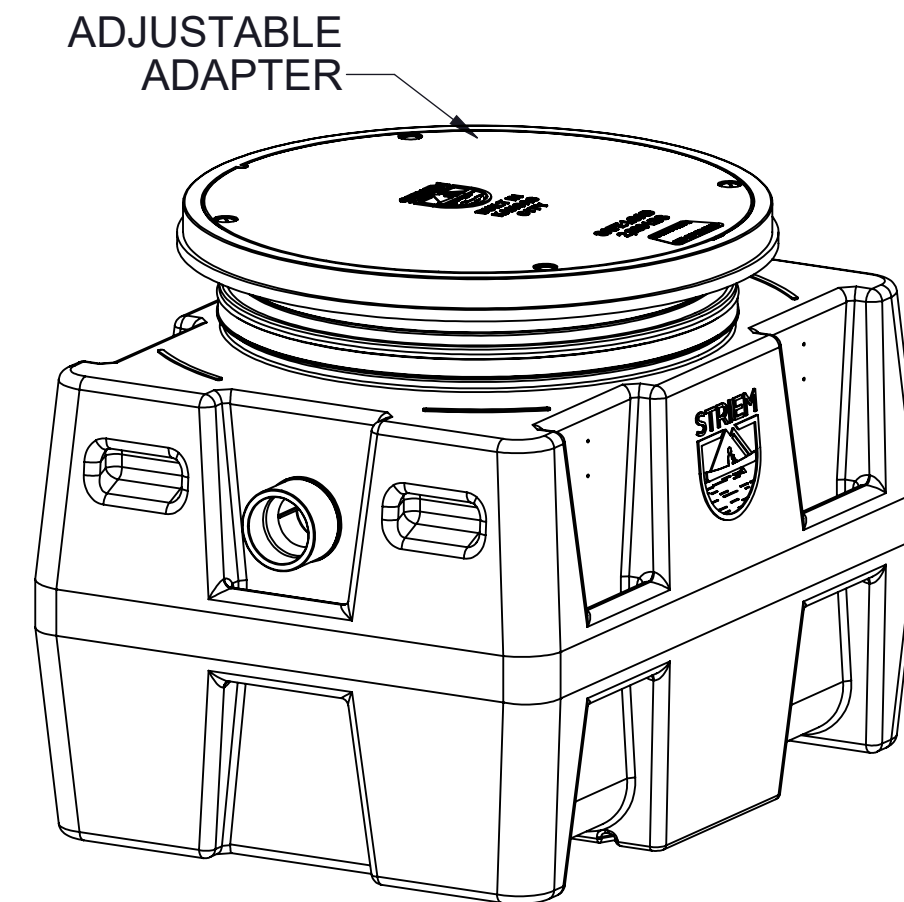
*Optional sewer gas trap not compatible with low outlet if 4" connections are selected.

TeleGlide RISER OPTIONS

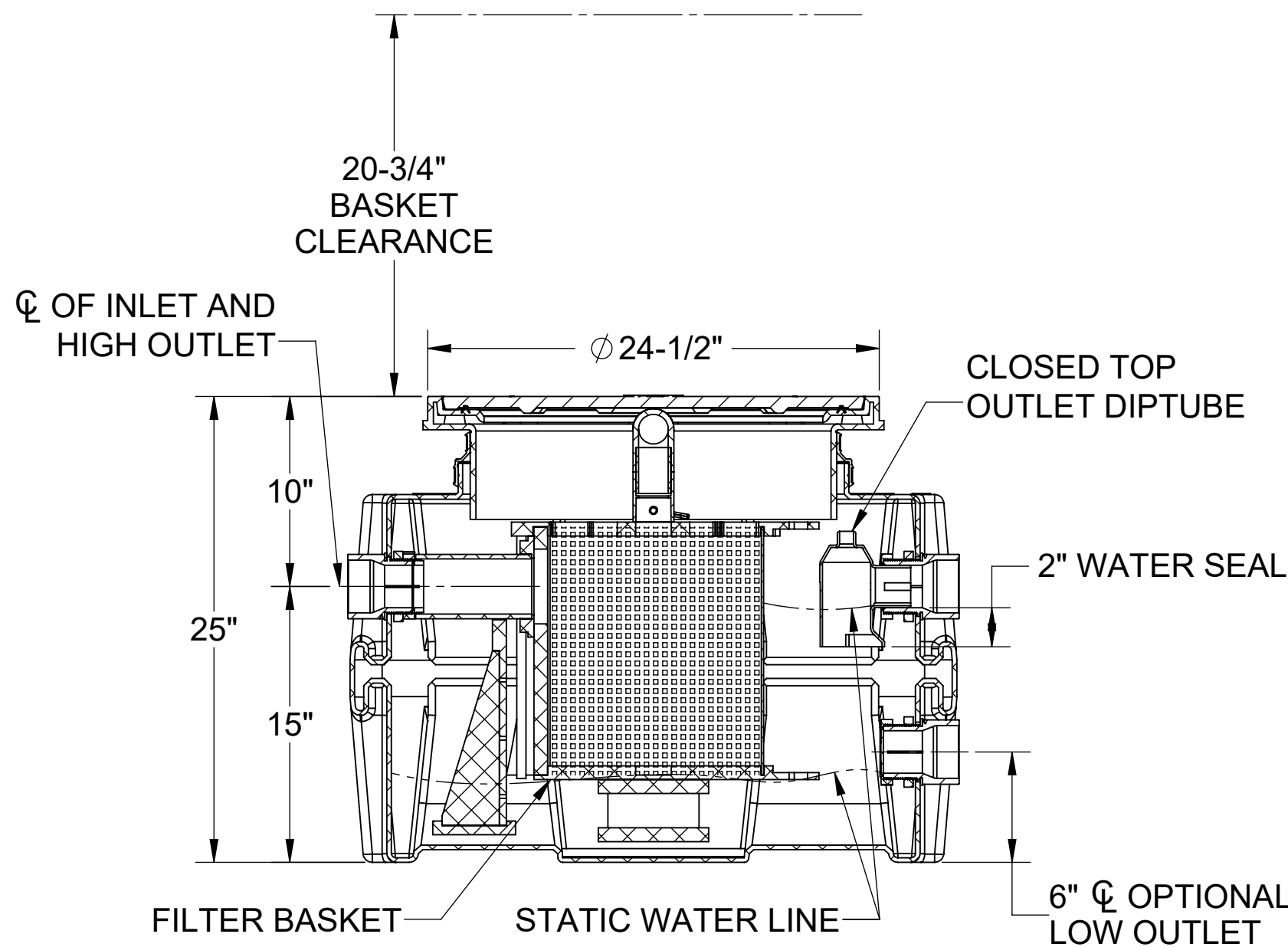
- Included: 0" - 5"
- SR24:** 5" - 24"
 - LR24:** 24" - 39"



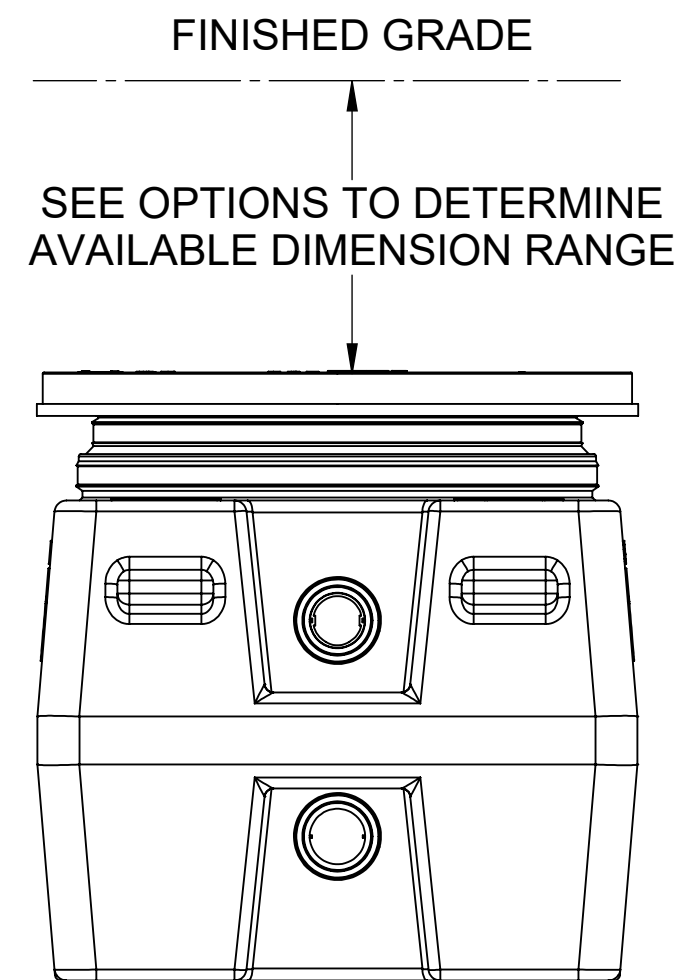
TOP VIEW



ISOMETRIC VIEW



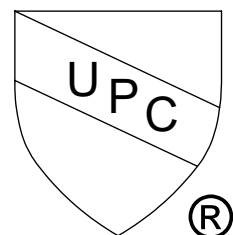
SECTION "A-A"



OUTLET END VIEW

Signature of Approval: _____
 Company: _____
 Date of Approval: _____
 Specifying Engineer: _____
 Engineering Firm: _____

US Patent No.
US10786761B2



PROPRIETARY AND CONFIDENTIAL

THE INFORMATION CONTAINED IN THIS DRAWING IS THE SOLE PROPERTY OF STRIEM, LLC. ANY REPRODUCTION IN PART OR AS A WHOLE WITHOUT THE WRITTEN PERMISSION OF STRIEM, LLC. IS PROHIBITED.

MODEL NUMBER: AA-M	
DESCRIPTION: AARDVARK™ MEDIUM BASKET-STYLE SOLIDS INTERCEPTOR	
DWG BY: WLF	DATE: 4/29/22
REV: 1	ECO:

SPECIFICATION SHEET

Striem
3100 Brinkerhoff
Kansas City, KS 66115
Tel: 913-222-1500
orders@striemco.com
www.striemco.com

Made in the U.S.A