



# AA-S SOLIDS INTERCEPTOR

Installation, Operation, & Maintenance Guide

## AA-S SOLIDS INTERCEPTOR

Installation, Operation, & Maintenance Guide

### OVERVIEW

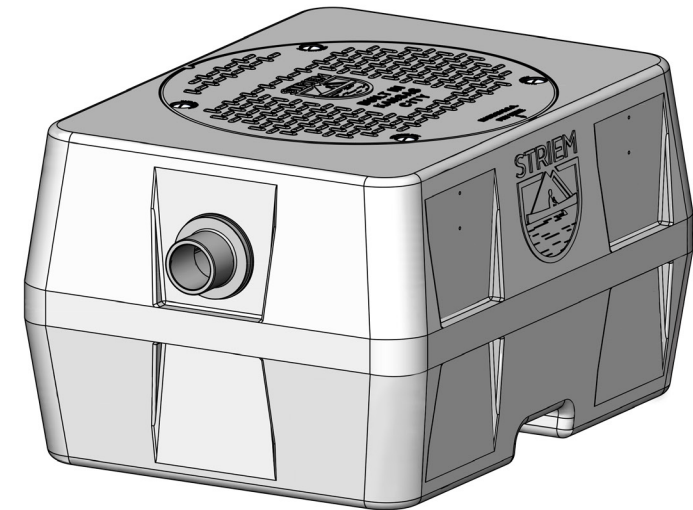
Striem Aardvark™ series model AA-S is a 35 GPM polyethylene solids interceptor intended for above- or below-grade installation. It is designed to capture heavy and suspended solids from in-line drainage applications and keep them from entering the sewage system.

### OPERATION

Solids laden wastewater enters the unit through the inlet connection, and flows into the perforated basket through an interlocking inlet flange. Solids collect in the basket as solids laden wastewater flows through the unit. The basket is easily removed to prevent the solids from entering the public sewer or private septic system.

### LIFETIME WARRANTY

Our products are designed to last the lifetime of the plumbing system in which they are installed. If they don't, we will repair or replace them at no charge. Product damage due to normal wear and tear may be repaired or replaced at a reasonable charge. See website for full details.



**AA-S**  
AARDVARK™ SERIES  
SOLIDS INTERCEPTOR

913-222-1500    [HELP@STRIEMCO.COM](mailto:HELP@STRIEMCO.COM)    [STRIEMCO.COM](http://STRIEMCO.COM)  
CUSTOMER SERVICE HOURS: 8 AM - 5 PM CST



# WARNING



## DO NOT AIR PRESSURE TEST UNIT!

DOING SO MAY RESULT IN PROPERTY DAMAGE,  
SERIOUS BODILY INJURY, OR DEATH!

Refer to Installation Instructions for correct testing procedure.

### LEAK/SEAL TESTING

**Do not air test unit or riser system!** Doing so may result in property damage, personal injury or death.

To perform a leak/seal test on the base unit, cap/plug all plumbing connections, remove the cover, and fill the unit with water just above the highest connection. Inspect unit and connections for leaks. Check water level at specific time intervals per local code.

### MAINTENANCE

- 1 Always take proper care to ensure a safe and healthy environment while maintaining the solids interceptor.
- 2 Remove cover.
- 3 Remove basket and empty contents into proper receptacle.
- 4 If there are concerns about fine debris in the main body, it can be pumped clean.
- 5 Replace basket in main body.
- 6 Fill unit with water to the invert of the outlet.
- 7 Inspect cover gasket for wear and tear and replace cover.
- 8 Dispose of contents per local code.

### MAINTENANCE FREQUENCY

AA-S must be maintained prior to reaching maximum solids capacity for the unit to continue working efficiently.

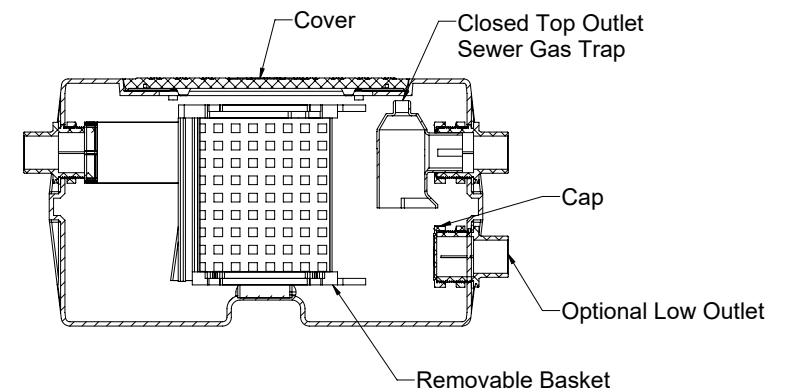
Frequency of need to evacuate the basket depends on the amount of solids in the wastewater. Monitor basket solids capacity to determine site specific maintenance schedule requirements.

Fine solids and sediments may settle in the main body of the unit. These may be removed at the end-user's discretion. Frequency depends on the size and amount of solids in the wastewater. Striem recommends a minimum pumping frequency of 6 months.

### TROUBLESHOOTING TIPS



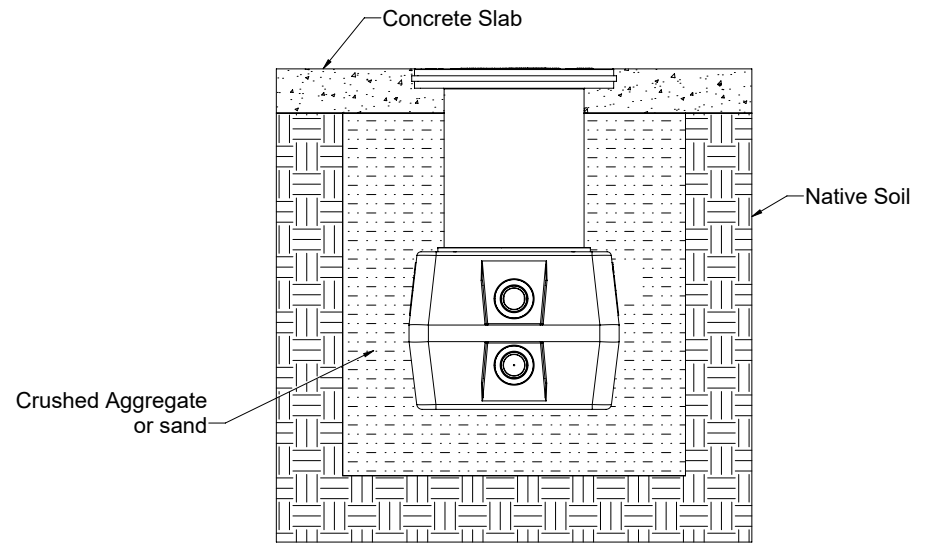
Slower than usual drainage may indicate a blockage and a need to maintain the solids interceptor. Ensure the drain lines, basket, inlet pipe, and outlet sewer gas trap are cleared of all debris in the presence of slow drainage.



## BELOW GRADE INSTALLATION INSTRUCTIONS

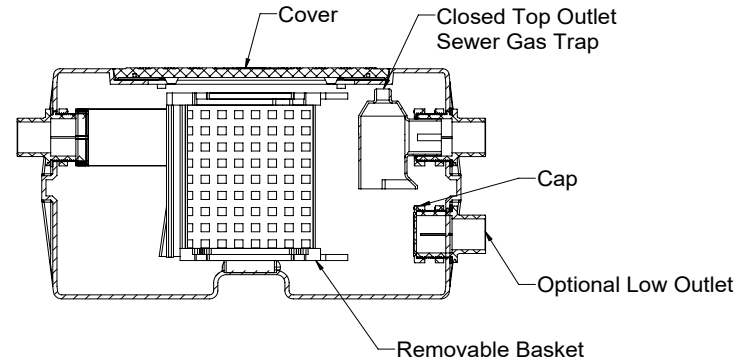
### EXCAVATION

- 1 Surrounding soil must be undisturbed soil or well compacted engineering fill.
- 2 Width and length of excavation shall be minimum 12" greater than the tank on all sides.
- 3 Depth of excavation shall be 6" deeper than tank bottom.



### USING THE OPTIONAL LOW OUTLET

- 1 The optional low outlet can be used to achieve a dry basket for increased performance and easy maintenance.
- 2 To use the low outlet, unthread the cap from the low outlet. Unthread the sewer gas trap from the high outlet.
- 3 Thread the cap on the high outlet, and thread the sewer gas trap on the low outlet. Install hand tight then apply an additional 1/4" turn.
- 4 Low outlet is ready for use.

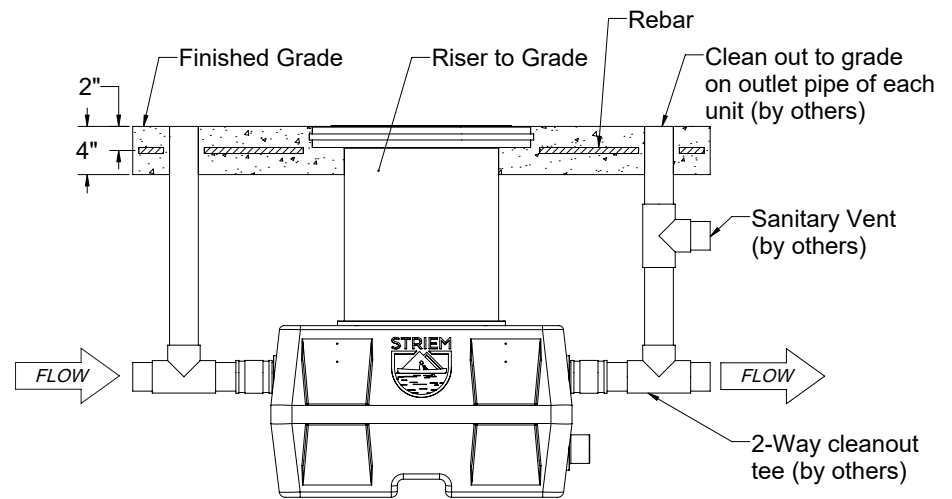


### UNIT INSTALLATION

- 1 AA-S cannot be installed flush with floor. SR-16 riser must be used for below grade installations with a minimum burial depth of 4 inches.
- 2 Lower and center the unit into the excavated hole. Do not use chains or accessways to move the unit.
- 3 The water table must not exceed the tank height prior to the addition of risers.
- 4 Ensure the unit cover is level with finished grade.
- 5 Fill AA-S with water before backfilling to stabilize the unit and prevent float out during backfilling.

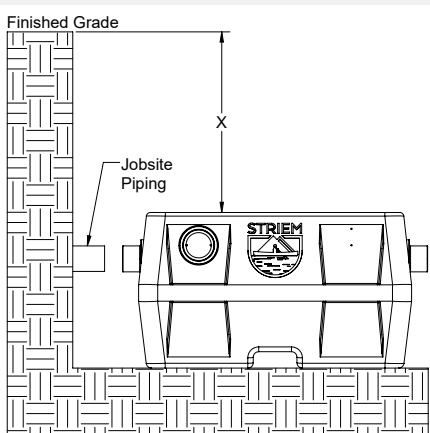
### BACKFILLING & FINISHED CONCRETE SLAB

- 1 Before backfilling and pouring of slab, secure cover and riser (if used) to the unit.
- 2 Place 6" aggregate base under slab. Aggregate should be 3/4" size rock, or sand, with no fines.
- 3 Backfill using crushed aggregate material approximately 3/4" size rock, or sand, with no fines.
- 4 NO. 4 rebar (1/2") grade 60 steel per ASTM A615: connected with tie wire.
- 5 Rebar to be 2 1/2" from edge of concrete.

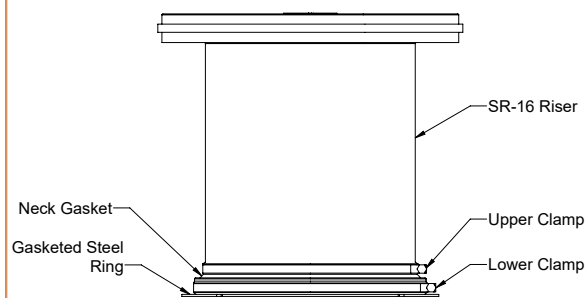


## SR-16 TELEGLIDE RISER SYSTEM | INSTALLATION INSTRUCTIONS

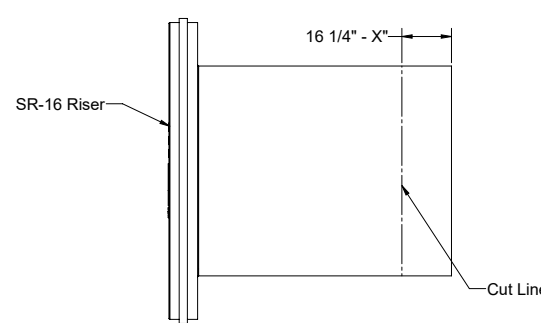
- 1
  - Place unit so that the pipe connections line up with the jobsite piping.
  - Measure dimension "X" from cover to finished grade to determine riser height needed.



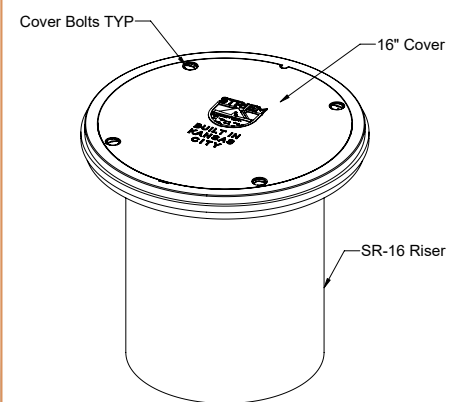
- 2
  - Loosen upper clamp with 3/8" deep well socket.
  - Remove SR-16 riser from neck gasket.



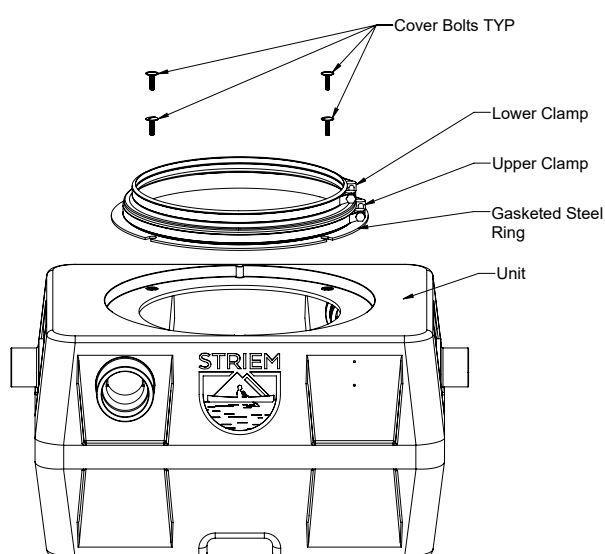
- 3
  - Measure the riser height needed, 16 1/4" - X" down the sidewall of the riser.
  - Mark the location.
  - Extend the mark made around the circumference of the riser.
  - Cut along the line with jigsaw, circular saw, or reciprocating saw.
  - Remove debris from cut edge with scraper, utility knife, or gloves.



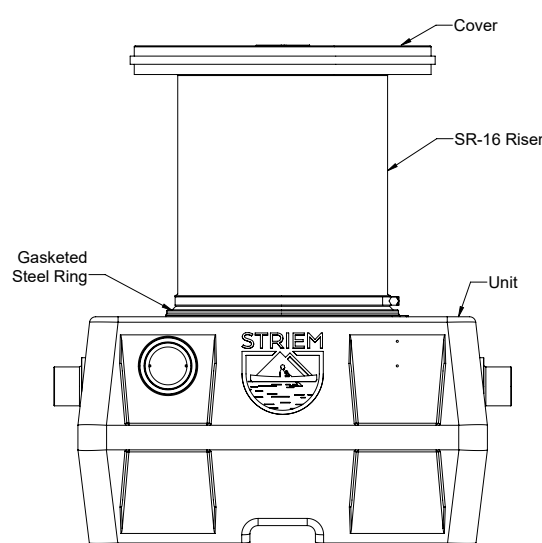
- 4
  - Uninstall the cover installed on the unit.
  - Install cover on SR-16 with cover bolts (included with tank).
  - Tighten cover bolts to 8 lbs. of torque.



- 5
  - Center gasketed steel ring on manway.
  - Install gasketed steel ring, with attached neck gasket and clamps, onto tank using SR-16 bolts and threaded inserts on tank body.
  - Tighten SR-16 bolts to 8 lbs. of torque.



- 6
  - Insert SR-16 riser through neck gasket until it stops and is level.
  - Tighten all clamps to 14 lbs. of torque.



- 7
  - Ensure cover is level with finished grade.
  - Proceed with unit installation.

