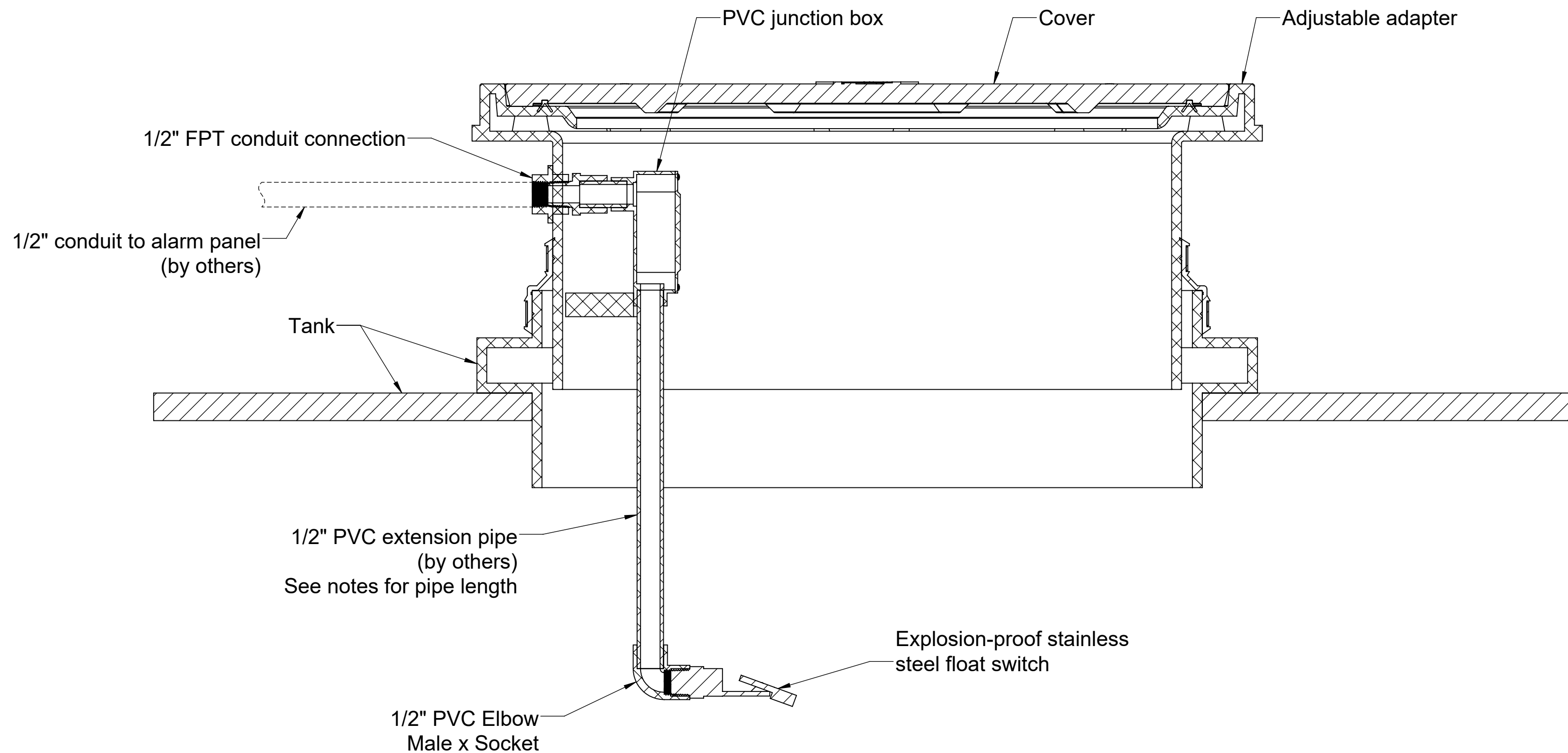


## INSTALLATION GUIDELINES

1. Float switch and alarm panel will ship separate from tank.
2. If tank is to be installed above grade or without any adjustment to the adapter, install a 3" long stub of 1/2" PVC pipe (by others) to the bottom of the junction box.
3. If tank adapter is adjusted, add the amount the riser is adjusted for the correct placement of the float switch.  
(3" + Adjusted height = Total length of 1/2" PVC extension pipe).
4. Affixed to the junction box will be a 1/2" PVC elbow. Install the threaded end of the adapter to the float switch.
5. Run float switch wiring through the 1/2" PVC extension pipe and into the bottom of the junction box.
6. Affix the socket end of the elbow to the end of the extension pipe to finish the installation of the float switch.



### DESCRIPTION:

## AVA-3 FLOAT SWITCH INSTALLATION GUIDELINES

Striem  
Kansas City, KS  
Tel: 913-222-1500  
orders@striemco.com  
www.striemco.com

Made in the U.S.A

