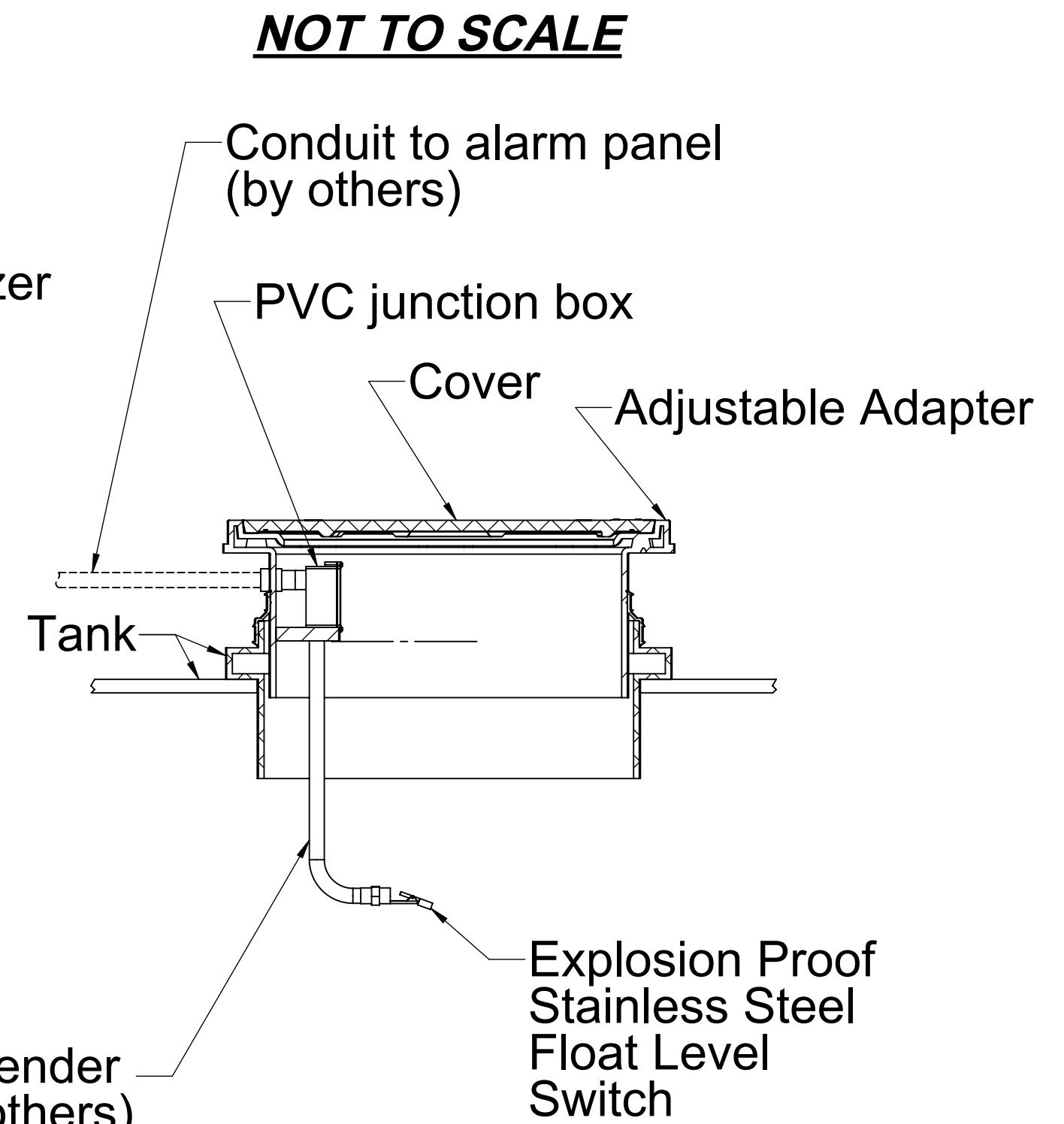
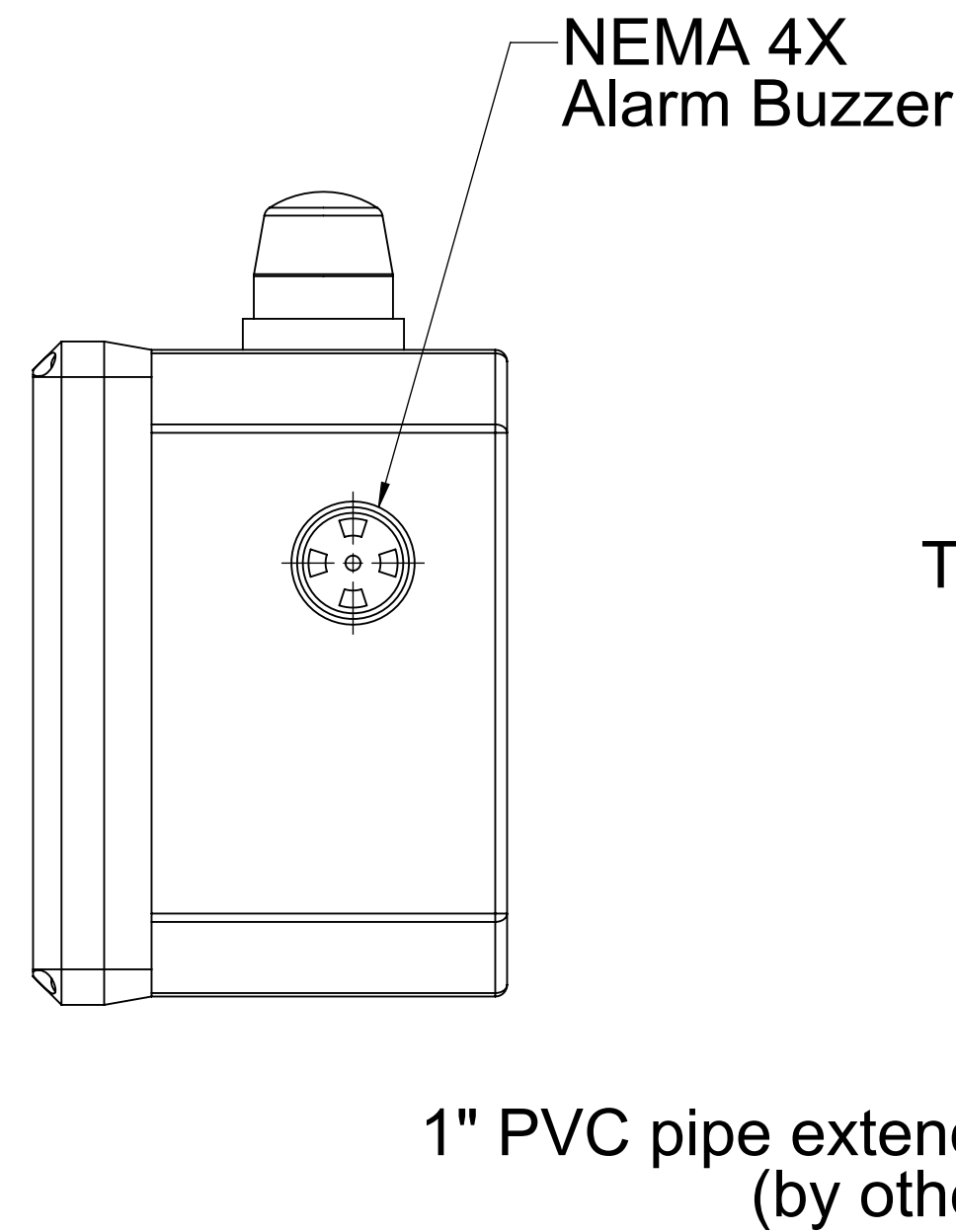
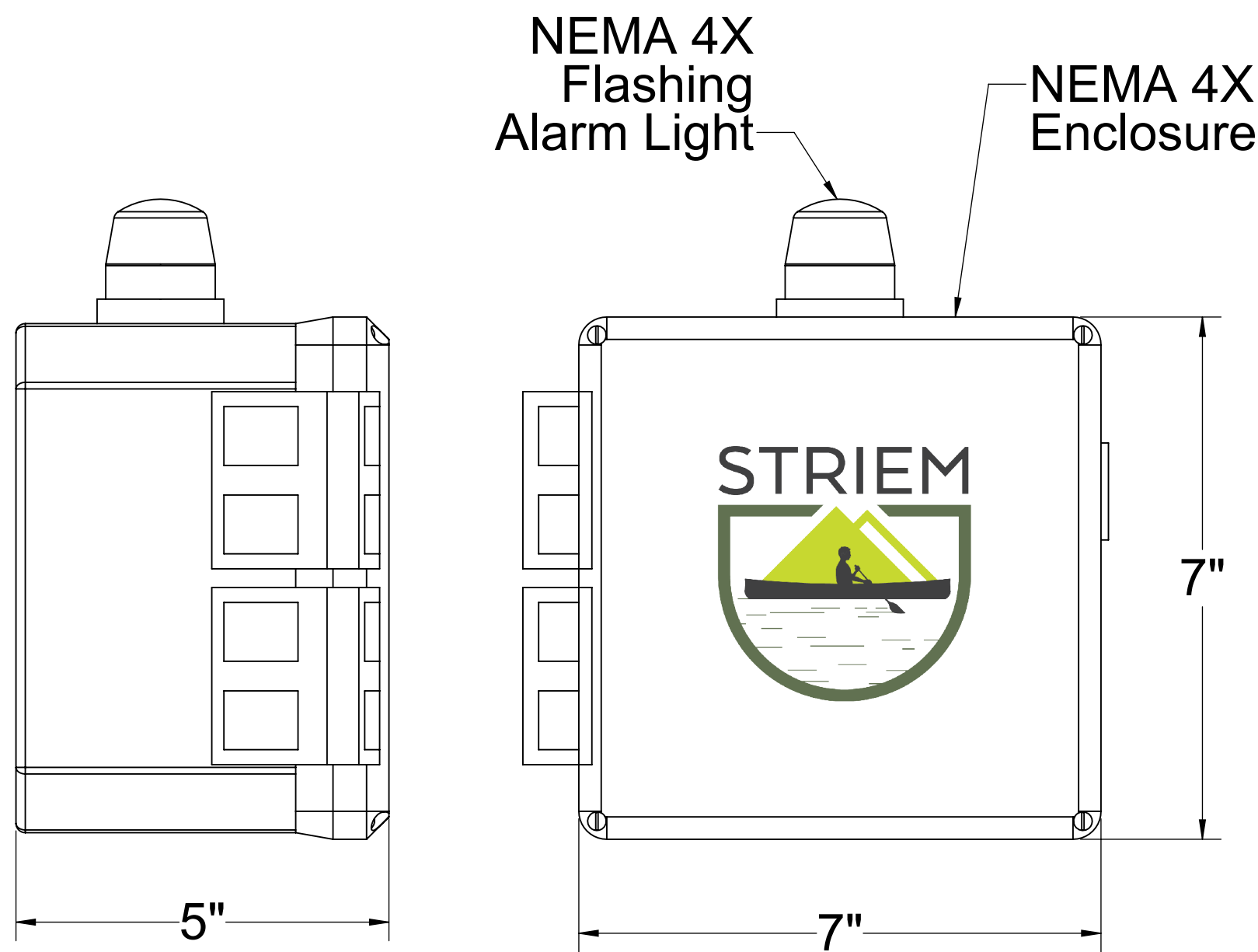


SPECIFICATIONS

1. UL and CSA Listed by CentriPro: model LAN-4
2. Provides warning of high liquid level conditions when used with a Normally Open (N.O.) float switch. Use a Normally Closed (N.C.) switch for low level warning.
3. Single phase, 120 volt, 60 hertz power required.
4. NEMA 4X fiberglass, corrosion resistant, weatherproof enclosure suitable for outdoor use and damp environments.
5. NEMA 4X alarm buzzer, 95db @ 2' (.6 meters).
6. NEMA 4X flashing alarm light on top of panel provides up to 360° signal depending on mounting.
7. Power On light inside enclosure.
8. Off/On reset switch inside enclosure.
9. Locking hasp on door.
10. Alarm bell and light stay on until reset even if level goes down.
11. Unit comes supplied with extra dry contact for connection to a building alarm system.

ENGINEER SPECIFICATION GUIDE

Audio/visual alarm shall be as manufactured by Striem, Kansas City, KS. Alarm panel to be UL and CSA listed components.



MODEL NUMBER: AVA-3		SPECIFICATION SHEET	
DESCRIPTION: HIGH LIQUID LEVEL ALARM WITH STAINLESS STEEL FLOAT SWITCH		Striem 3100 Brinkerhoff Kansas City, KS 66115 Tel: 913-222-1500 Fax: 913-291-0457 www.striemco.com Made in the U.S.A	
DWG BY: RS	DATE: 7/3/18		

PROPRIETARY AND CONFIDENTIAL

THE INFORMATION CONTAINED IN THIS DRAWING IS THE SOLE PROPERTY OF STRIEM, LLC. ANY REPRODUCTION IN PART OR AS A WHOLE WITHOUT THE WRITTEN PERMISSION OF STRIEM, LLC. IS PROHIBITED.