

ALARM/AUX

USE COPPER CONDUCTORS

GROUND LUG

POWER

ALARM FLOAT

AUXILIARY

1

2

3

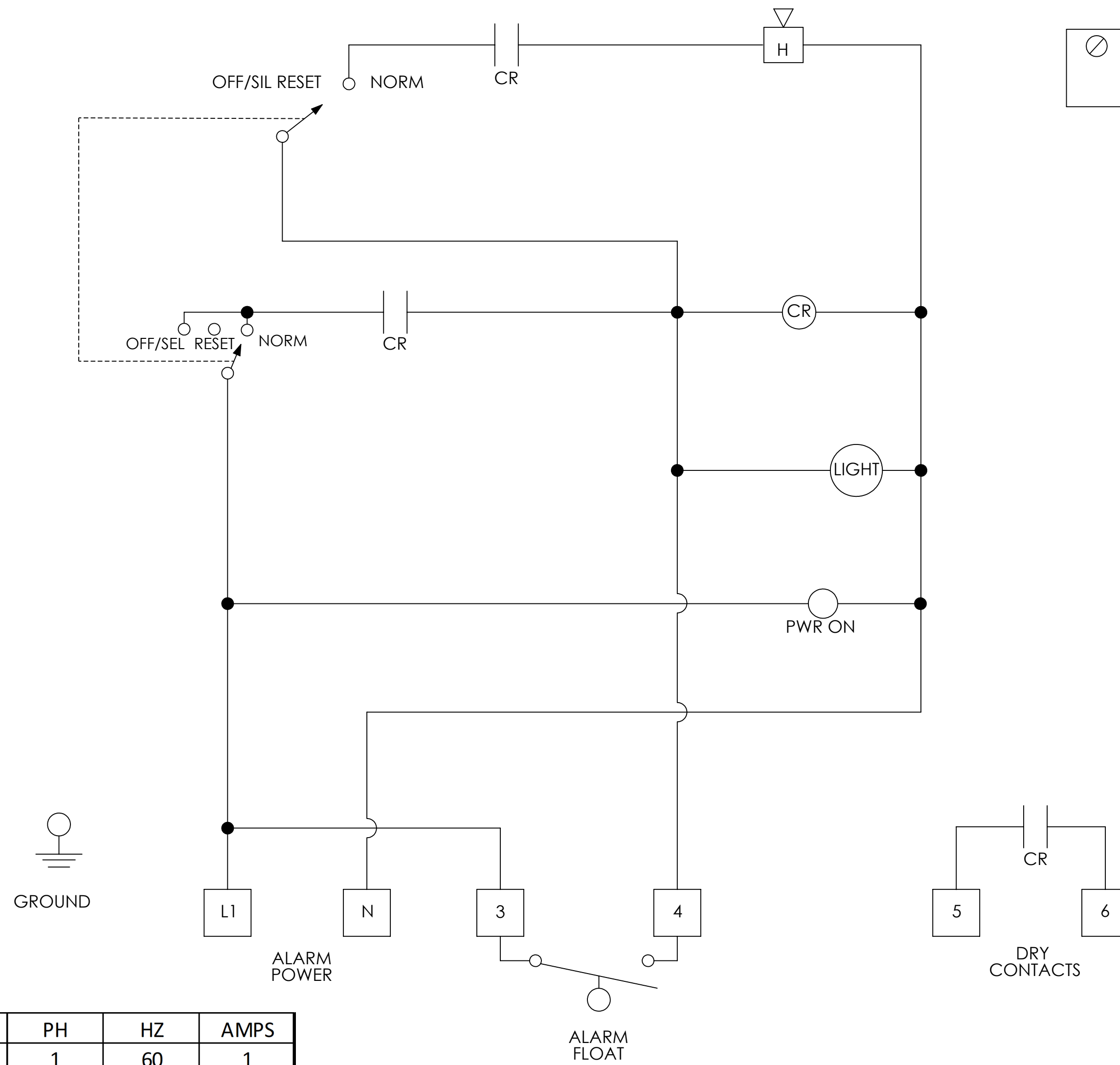
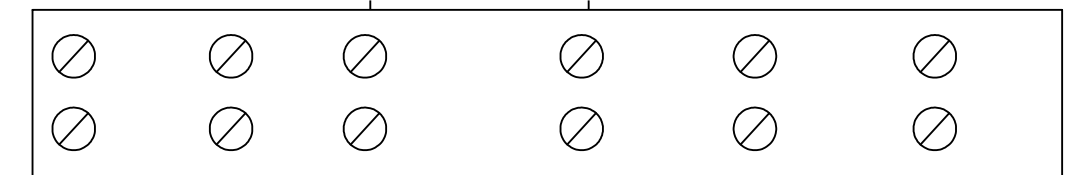
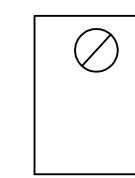
4

5

6

L1

N



	VOLTS	PH	HZ	AMPS
ALARM CIRCUIT	120	1	60	1

MODEL NUMBER: AVA-3

SPECIFICATION SHEET

DESCRIPTION:
AUDIO/VISUAL ALARM
WIRE DIAGRAM

Striem
Kansas City, KS
Tel: 913-222-1500
orders@striemco.com
www.striemco.com



Made in the U.S.A

DWG BY: ENG DATE: 5/8/2023 REV: 0

PROPRIETARY AND CONFIDENTIAL
THE INFORMATION CONTAINED IN THIS DRAWING IS THE SOLE PROPERTY OF STRIEM, LLC.
ANY REPRODUCTION IN PART OR AS A WHOLE WITHOUT THE WRITTEN PERMISSION OF STRIEM, LLC. IS PROHIBITED.