

STRIEM

AARDVARK™ SERIES

BASKET-STYLE SOLIDS INTERCEPTORS

FIELD-EXTENDABLE
PVC BASKET HANDLE

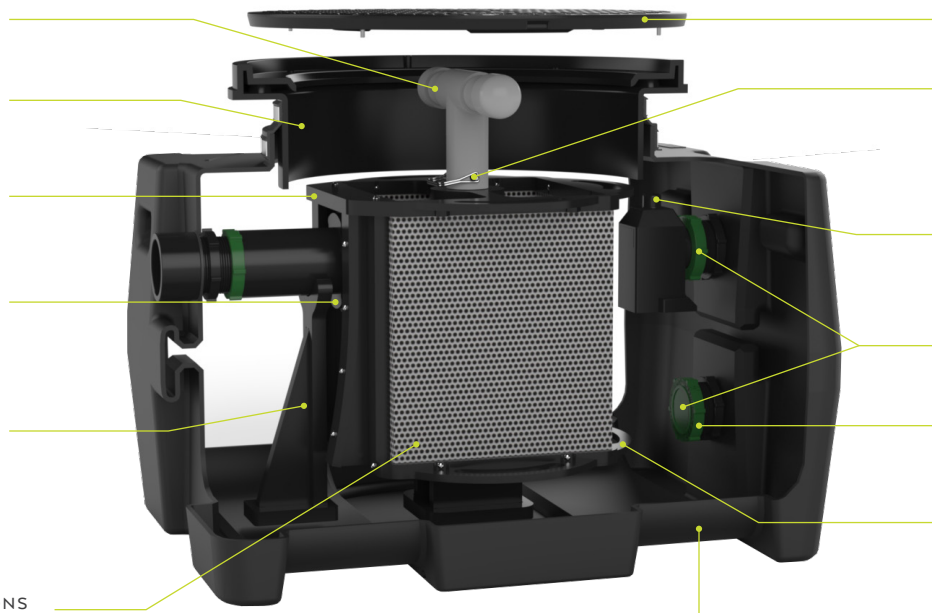
FIELD-ADJUSTABLE
COVER ADAPTER

ALL-PERFORATED
REMOVEABLE BASKET

INTERLOCKING FLANGE
"HARD PIPES" INLET
PIPE TO BASKET

INLET PIPE SUPPORT
GUSSET

0.1" X 0.08" PERFORATIONS



PICTURED: AA-M

LIGHT OR HEAVY DUTY
COVERS AVAILABLE

LOCKING PIN ALLOWS FOR
EASY HANDLE REMOVAL
DURING MAINTENANCE

2" SEWER GAS SEAL
(MOVEABLE BETWEEN
HIGH OR LOW OUTLET)

BUILT-IN HIGH AND LOW
OUTLET

CAP FOR UNUSED OUTLET

HANDLES ALLOW FOR EASY
MAINTENANCE AND SERVE
AS NO-GO'S SO THAT
BASKET CAN ONLY BE
INSERTED IN ONE
ORIENTATION

POLYETHYLENE TANK
REINFORCED FOR ABOVE
OR BELOW-GRADE
INSTALLATION

APPLICATIONS

LAUNDRY
FACILITIES

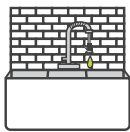
COMMERCIAL
KITCHENS

DOG WASH &
PET KENNELS

ART ROOM
SINKS

BARBER SHOPS
& HAIR SALONS

FOOD
PROCESSING



3100 Brinkerhoff, Kansas City, KS 66115

PH 913-222-1500 HELP@STRIEMCO.COM

MADE IN THE U.S.A.

LIFETIME GUARANTEED



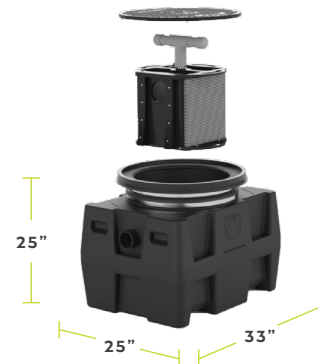
AARDVARK™ SERIES

BASKET-STYLE SOLIDS INTERCEPTORS



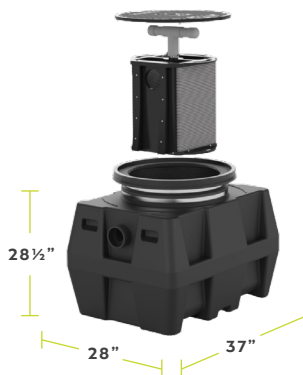
AA-S SMALL

CONNECTIONS: 2" PLAIN END
LIQUID CAPACITY: 15 GAL. (HIGH OUTLET),
4 GAL. (LOW OUTLET)
SOLIDS CAPACITY: 2 GAL.
WEIGHT: 42 LBS.



AA-M MEDIUM

CONNECTIONS: 3" PLAIN END
LIQUID CAPACITY: 35 GAL. (HIGH OUTLET),
12 GAL. (LOW OUTLET)
SOLIDS CAPACITY: 6 GAL.
WEIGHT: 83 LBS.



AA-L LARGE

CONNECTIONS: 4" PLAIN END
LIQUID CAPACITY: 52 GAL. (HIGH OUTLET),
14 GAL. (LOW OUTLET)
SOLIDS CAPACITY: 8 (GAL)
WEIGHT: 105 LBS.



AA-XL EXTRA LARGE

CONNECTIONS: 4" PLAIN END, 6" OPTIONAL
LIQUID CAPACITY: 125 GAL. (HIGH OUTLET),
30 GAL. (LOW OUTLET)
SOLIDS CAPACITY: 10 (GAL)
WEIGHT: 145 LBS.



3100 Brinkerhoff, Kansas City, KS 66115

PH 913-222-1500 HELP@STRIEMCO.COM

MADE IN THE U.S.A. 

LIFETIME GUARANTEED

