

**SPECIFICATIONS**

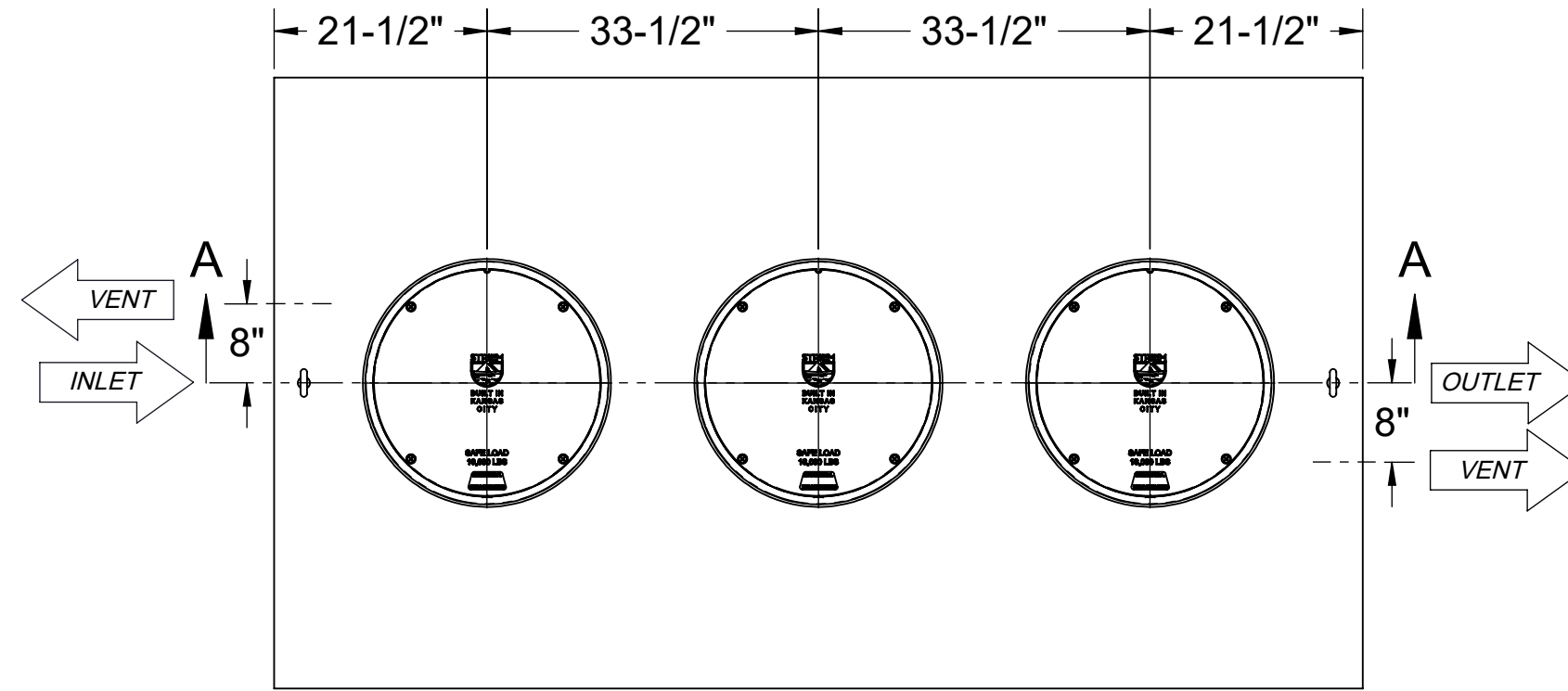
1. 6" Plain End inlet shown, 2" Plain End pump outlet, 3" Plain End vents standard.
2. Liquid holding capacity: 1000 gallons (133 cu. ft.).
3. Unit weight: 1184 lbs.
4. Maximum operating temperature 140°F continuous.

**NOTES**

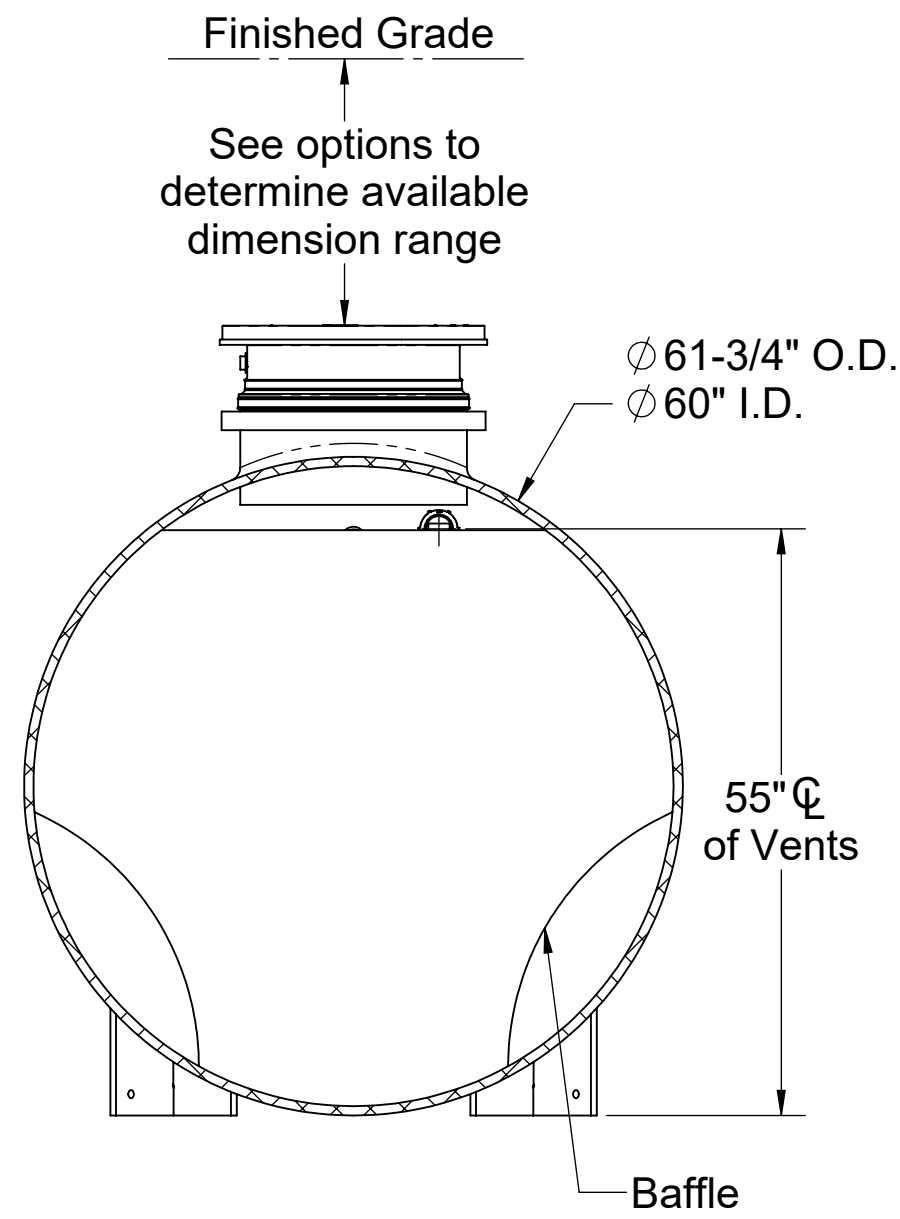
1. For gravity drainage applications only.
2. Do not use for pressure applications.
3. Cover placement allows full access to tank for proper maintenance.
4. Lifting lug set for easy install.

**ENGINEER SPECIFICATION GUIDE**

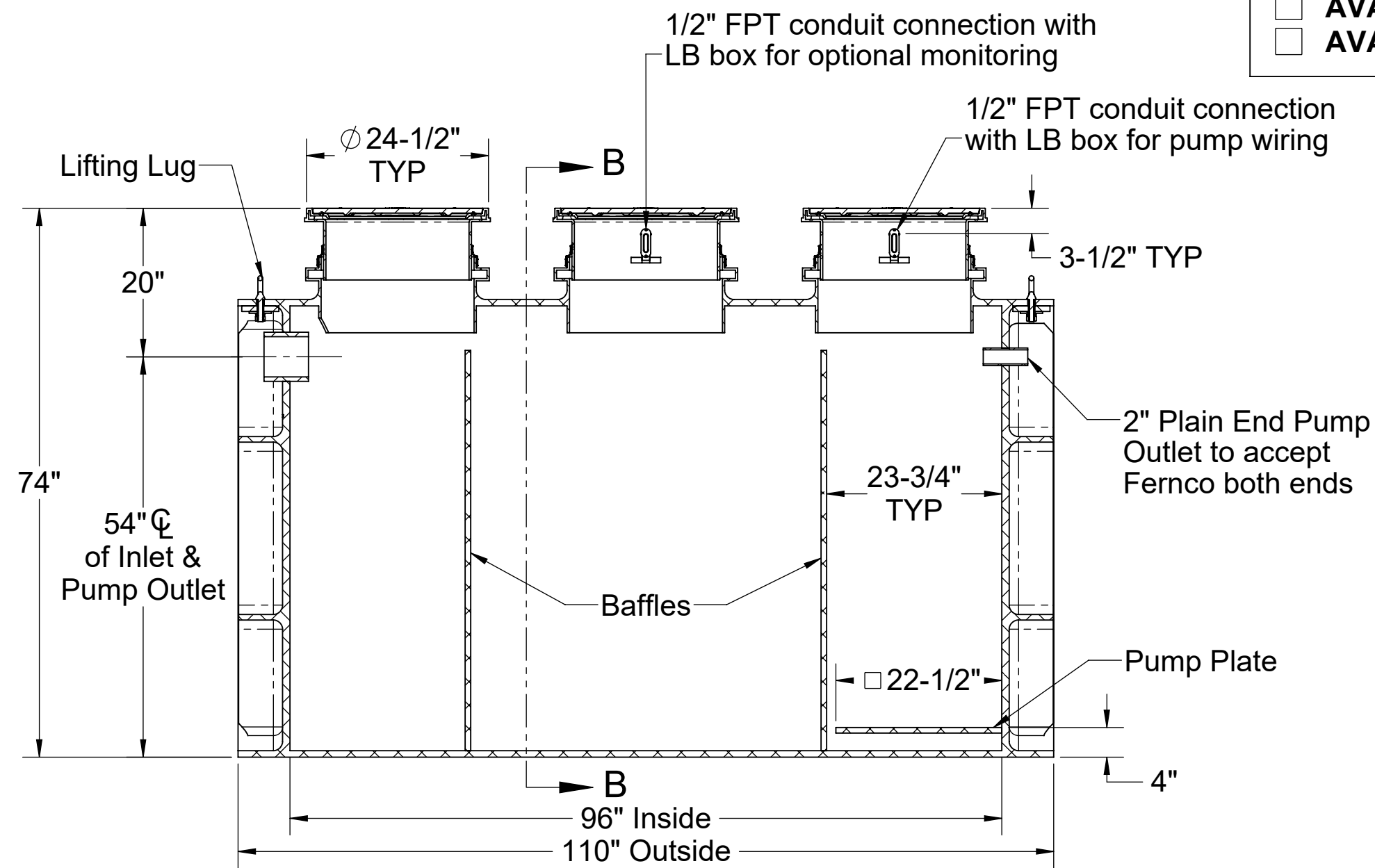
Striem decontamination tank model BB-1000-PP shall be lifetime guaranteed and made in the USA. Tank shall be constructed of polyethylene with 7/8" nominal wall thickness. Tank shall be manufactured for below-grade installation. Field-adjustable riser system is available as an option to bring manhole covers to grade. Tank liquid holding capacity shall be 1000 gallons. Covers shall provide water/gas-tight seal and have a maximum 16,000 lbs. load capacity.



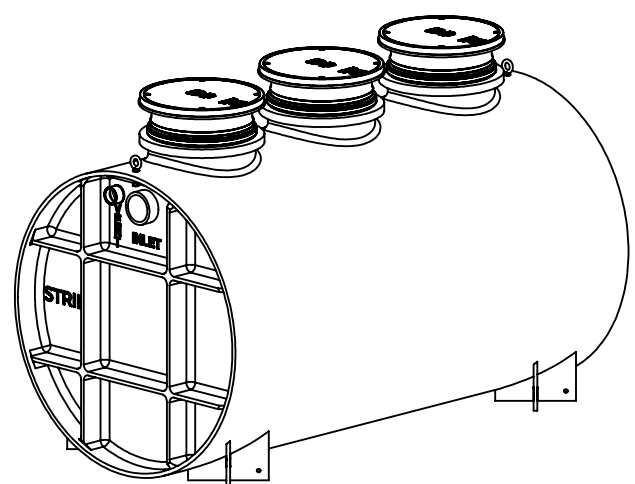
**TOP VIEW**



**SECTION B-B**



**SECTION A-A**



PO IS NON-CANCELABLE  
ORDER IS NON-RETURNABLE

PROPRIETARY AND CONFIDENTIAL  
THE INFORMATION CONTAINED IN THIS DRAWING IS THE SOLE PROPERTY OF STRIEM, LLC.  
ANY REPRODUCTION IN PART OR AS A WHOLE WITHOUT THE WRITTEN PERMISSION OF STRIEM, LLC. IS PROHIBITED.

**OPTIONS**

**Connection Options (Plain End Only)**

- Inlet**
- 3" SELECTION REQUIRED
  - 4"
  - 6"

**Riser Options**

**From Factory: Up to 2"**

- Up to 21": **SR24** (3)
- Up to 36": **LR24** (3)
- Up to 40": **SR24** (6)
- Up to 55": **SR24** (3) + **LR24** (3)
- Up to 69": **LR24** (6)
- Up to 87": **SR24** (3) + **LR24** (6)
- Up to 103": **LR24** (9)

**- OR -**

- CPRK** (3): 11" - 103" (See specification for more detail.)

**Additional Options**

- HDK-5**: High Water Table Hold Down Kit
- AVA-3**: Single-Level Monitoring Package
- AVA-4**: Multi-Level Monitoring Package

**MODEL NUMBER:** BB-1000-PP

**DESCRIPTION:**  
BIO BASIN™  
POLYETHYLENE DECONTAMINATION TANK  
WITH PUMP PLATE  
1000 GALLON CAPACITY

**DWG BY:** ENG    **DATE:** 7/26/2023    **REV:** 2

**SPECIFICATION SHEET**

Striem  
Kansas City, KS  
Tel: 913-222-1500  
orders@striemco.com  
www.striemco.com

Made in the U.S.A

