

**SPECIFICATIONS**

1. Liquid holding capacity: 250 Gallons.
2. Unit weight w/std. cover: 225 Pounds.
3. Highway rated composite cover: 16,000 lb. load rating.
4. Maximum operating temperature 140°F continuous.

**NOTES**

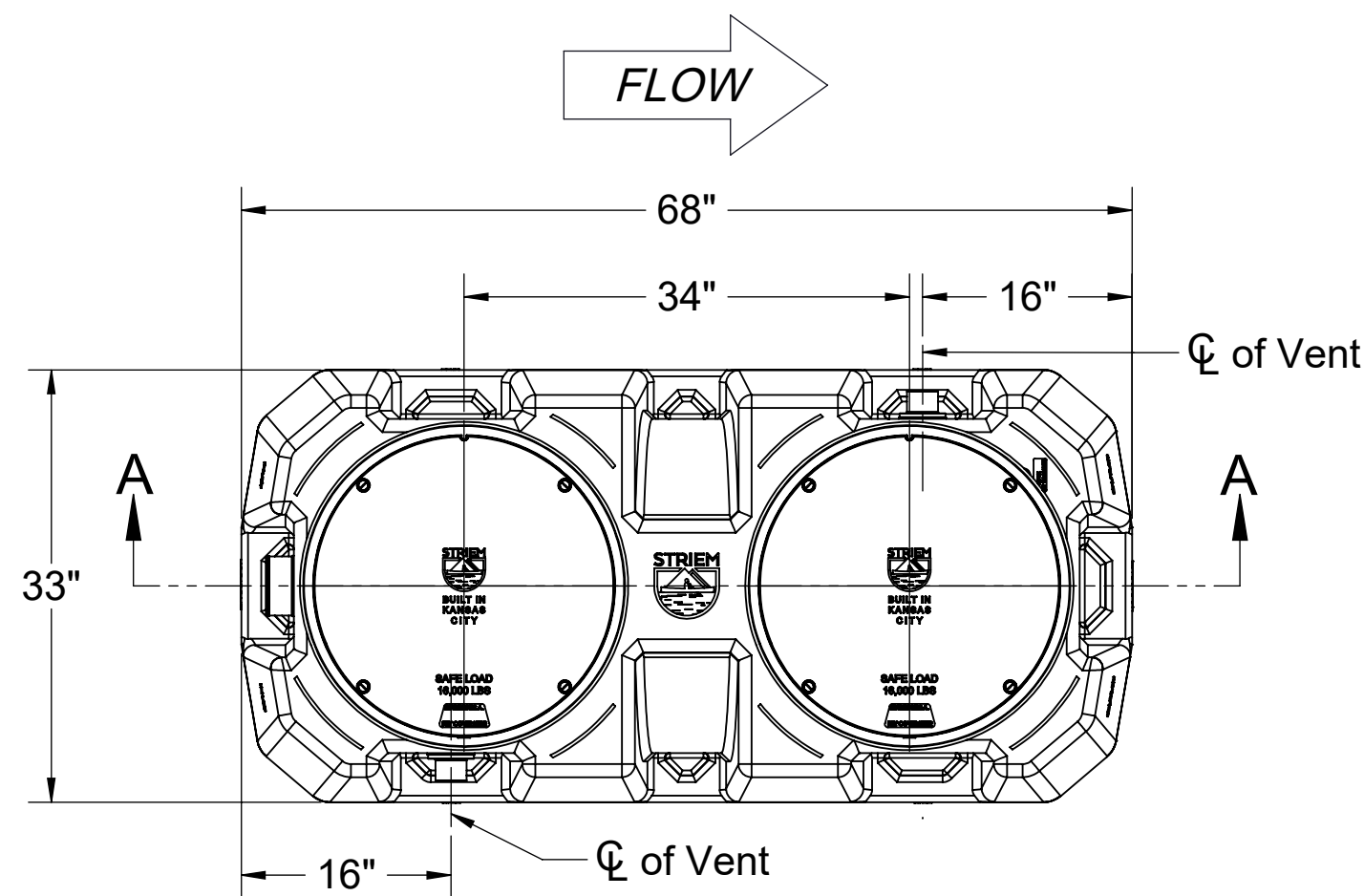
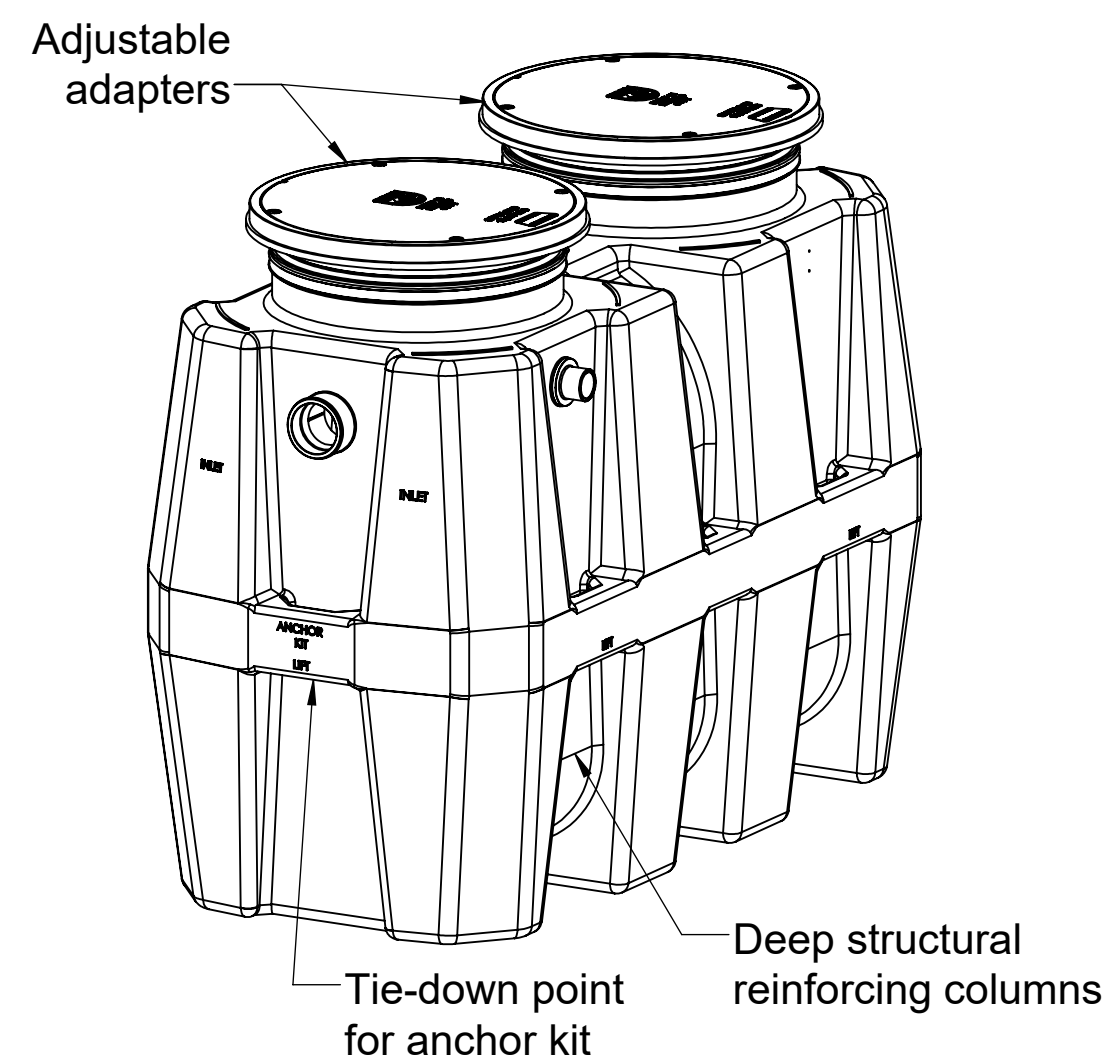
1. For gravity drainage applications only. Do not use for pressure applications.
2. 3/8" thick seamless medium density polyethylene walls.
3. Unit supplied with built-in adapters for up to 5" of adjustability. Additional risers available for deeper burial depth.
4. Cover placement allows full access to tank for proper maintenance.
5. For on the-floor or buried applications.

**ENGINEER SPECIFICATION GUIDE**

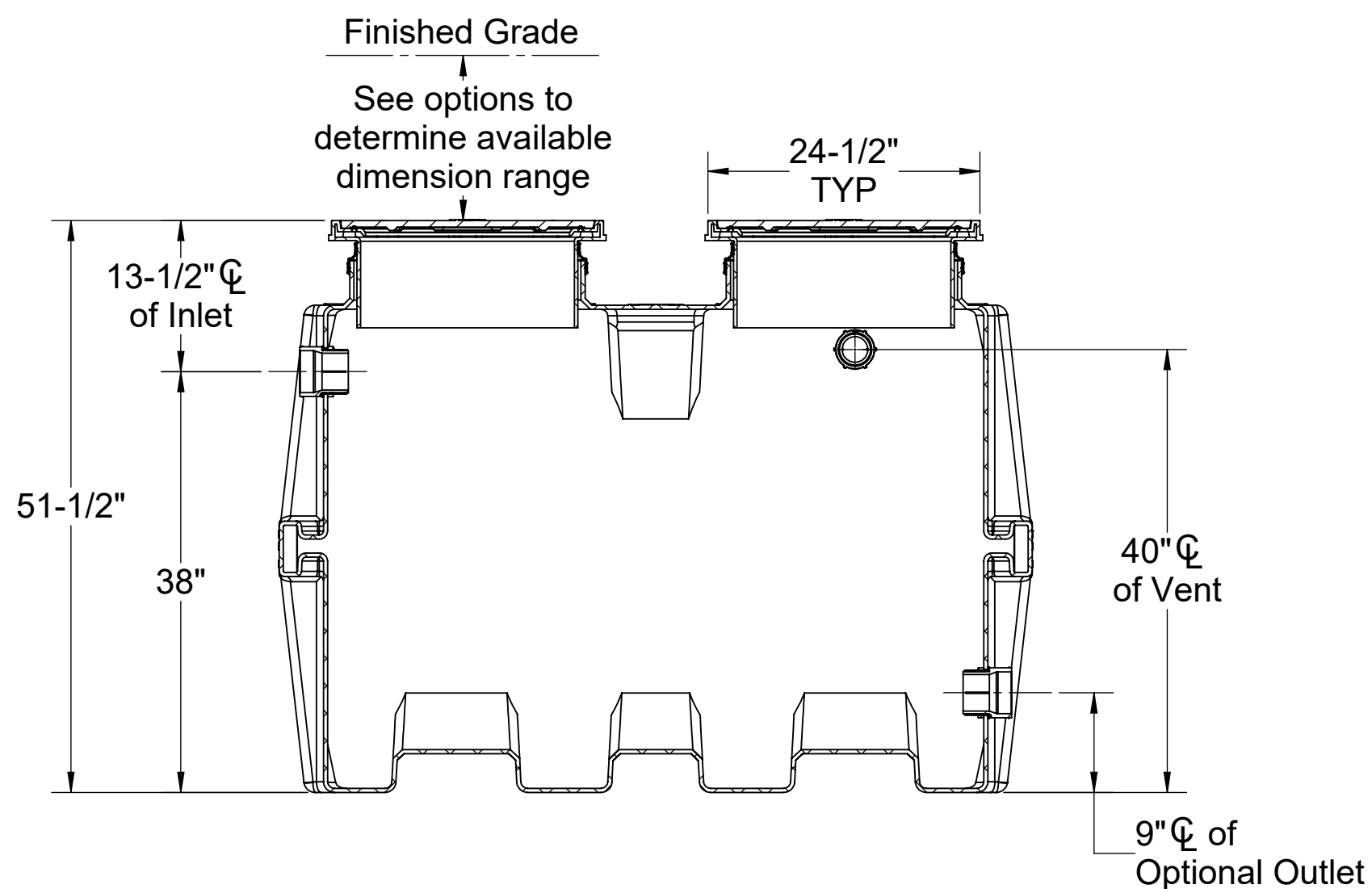
Striem Bio Basin™ decontamination tank model BB-275 shall be lifetime guaranteed and Made in USA of seamless, rotationally-molded polyethylene with minimum 3/8" uniform wall thickness. Tank shall be furnished with inlet, outlet, vents, covers, riser system, monitoring equipment and other modifications per jobsite-specific conditions and per engineer's specification.

**THIRD PARTY STRUCTURAL ANALYSIS**

The BB-275 has been structurally analyzed in accordance with the requirements of IBC 2012 and ASCE/SEI 7 for direct burial. The maximum burial depth and backfill material are specified in our installation instructions. The structural design has been reviewed and sealed by a professional engineer registered in the state of California. A sealed structural analysis report is available upon request.



**TOP VIEW**



**SECTION A-A**

**Directions:** Complete steps 1-3 and submit signed with purchase order.

**1. Choose Connection Types.**

- |  |   |
|--|---|
| <b>Inlet</b>                           | <b>Size</b>   |
| <input type="checkbox"/> Plain End     | <input type="checkbox"/> 2"                             |
| <input type="checkbox"/> Female Thread | <input type="checkbox"/> 3"                             |
|  | <input type="checkbox"/> 4"                             |
|  | <input type="checkbox"/> 6" (Female thread unavailable) |
| <b>Optional Outlet</b>                 | <b>Size</b>   |
| <input type="checkbox"/> Plain End     | <input type="checkbox"/> 2"                             |
| <input type="checkbox"/> Female Thread | <input type="checkbox"/> 3"                             |
|  | <input type="checkbox"/> 4"                             |
|  | <input type="checkbox"/> 6" (Female thread unavailable) |
| <b>Vent</b>                            | <b>Size</b>   |
| <input type="checkbox"/> Plain End     | <input type="checkbox"/> 2"                             |
| <input type="checkbox"/> Female Thread | <input type="checkbox"/> 3"                             |

**2. Riser Options.**

- Included: 0" - 5"**
- SR24** (2): 5" - 24"
  - LR24** (2): 24" - 39"
  - SR24** (4): 39" - 43"
  - SR24** (2) + **LR24** (2): 43" - 58"
  - LR24** (4): 58" - 72"
  - SR24** (2) + **LR24** (4): 72" - 90"
- OR -**
- CPRK** (2): 11" - 90"
    - Corrugated Pipe Riser Kit.
    - Used in substitute of SR/LR riser options.
    - 18" diameter corrugated pipe by others.
    - See CPRK specification for more detail.

**3. Choose Additional Options.**

- HDK-2:** High Water Anchor Kit
- AVA-3:** Single Level Monitoring Package\*
- AVA-4:** Multi-Level Monitoring Package\*
- Flat tank bottom
- MBV:** Outlet Manual Ball Valve with Valve Mount (specification available upon request)\*\*
- EAV:** Outlet Electronically Actuated Valve with Valve Box (specification available upon request)\*\*

\*Monitoring packages will raise covers by 3".  
 \*\*Valve options require Vault by others.

Signature of Approval: \_\_\_\_\_

Company: \_\_\_\_\_

Date of Approval: \_\_\_\_\_

Specifying Engineer: \_\_\_\_\_

Engineering Firm: \_\_\_\_\_

PO IS NON-CANCELABLE  
 ORDER IS NON-RETURNABLE

<b>MODEL NUMBER:</b>	BB-275
<b>DESCRIPTION:</b>	POLYETHYLENE DECONTAMINATION TANK 250 GALLON CAPACITY
<b>DWG BY:</b>	WLF
<b>DATE:</b>	2/22/22
<b>REV:</b>	0
<b>ECO:</b>	

**SPECIFICATION SHEET**

**Striem**  
 3100 Brinkerhoff  
 Kansas City, KS 66115  
 Tel: 913-222-1500  
 orders@striemco.com  
 www.striemco.com

**Made in the U.S.A**