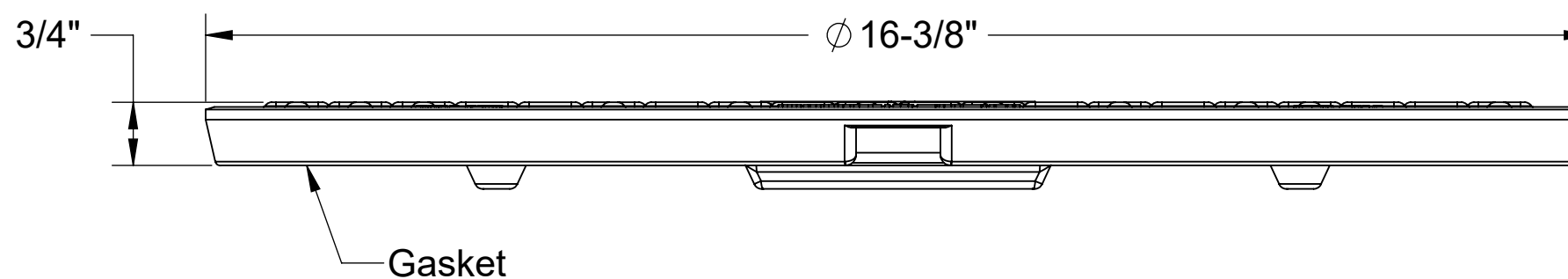
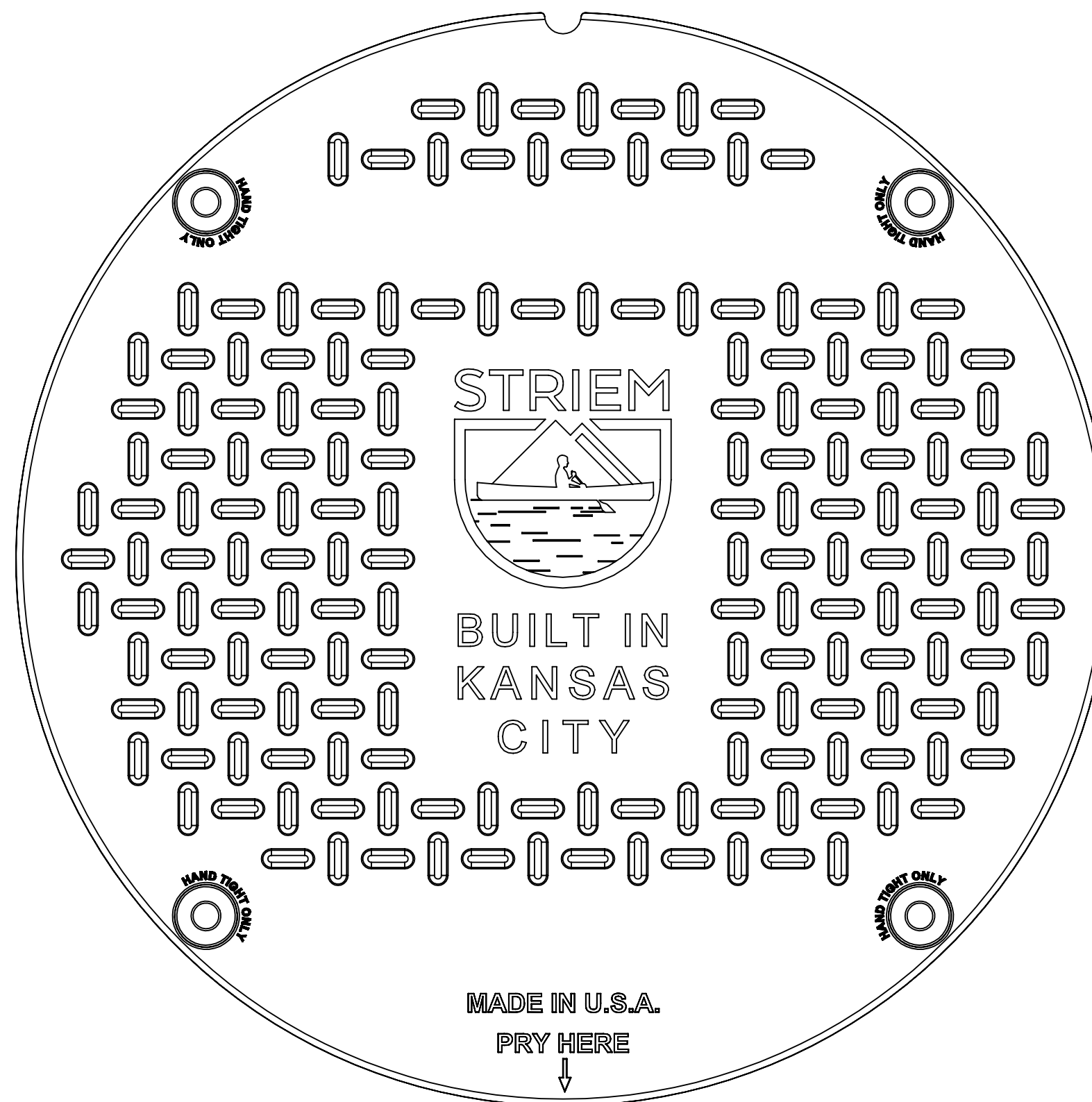


SPECIFICATIONS

1. Maximum Cover Load: 2,500 lbs.
2. Bolted cover with gasket protects against surface water infiltration and internal gas release.
3. Cover Material: Polypropylene.
4. Weight: 8 lbs.
5. Part Color: Black.

ENGINEER SPECIFICATION GUIDE

Cover shall be bolted with stainless steel hardware and sealed with a gasket. Cover shall hold a maximum load of 2,500 lbs.



MODEL NUMBER: C16-M

DESCRIPTION:
 16" COVER
 BLACK POLYPROPYLENE
 2,500 LBS. CAPACITY

SPECIFICATION SHEET

Striem
 Kansas City, KS
 Tel: 913-222-1500
 orders@striemco.com
 www.striemco.com

Made in the U.S.A

