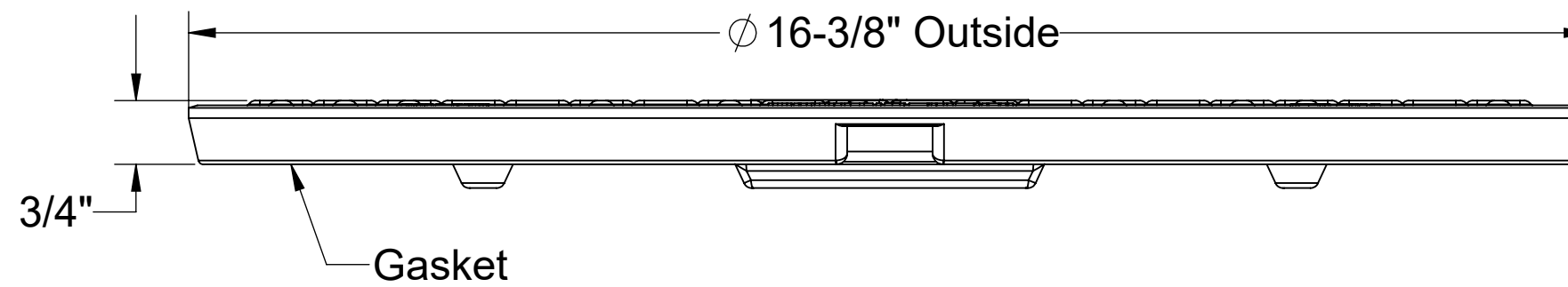
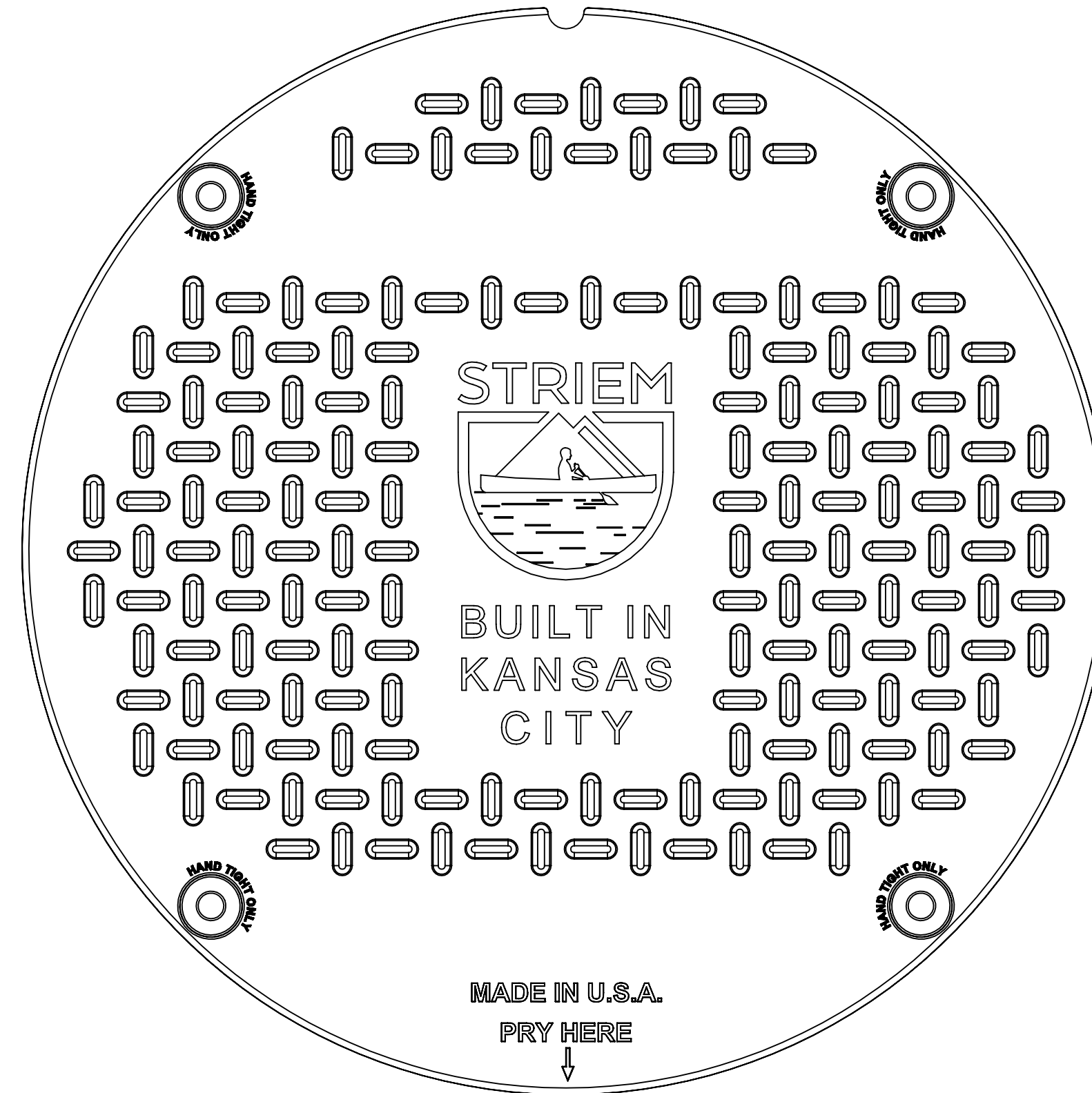


SPECIFICATIONS

1. Maximum Cover load: 2,500 lbs. with safety factor of 2
2. Bolted cover with gasket, protects against surface water infiltration and internal gas release
3. Cover material: Polypropylene
4. Total weight: 8 pounds
5. Part Color: Black

ENGINEER SPECIFICATION GUIDE

Cover shall be bolted with stainless steel hardware and sealed with a gasket. Cover shall hold a maximum load of 2,500 lbs. with a safety factor of 2.



MODEL NUMBER: C16-M	
DESCRIPTION: COVER, 16IN, BLACK 2,500 lbs.	
DWG BY: JC	DATE: 9/12/22
REV: 0	ECO:

SPECIFICATION SHEET

Striem
3100 Brinkerhoff
Kansas City, KS 66115
Tel: 913-222-1500
Fax: 913-291-0457
www.striemco.com



Made in the U.S.A

PROPRIETARY AND CONFIDENTIAL

THE INFORMATION CONTAINED IN THIS DRAWING IS THE SOLE PROPERTY OF STRIEM, LLC. ANY REPRODUCTION IN PART OR AS A WHOLE WITHOUT THE WRITTEN PERMISSION OF STRIEM, LLC. IS PROHIBITED.