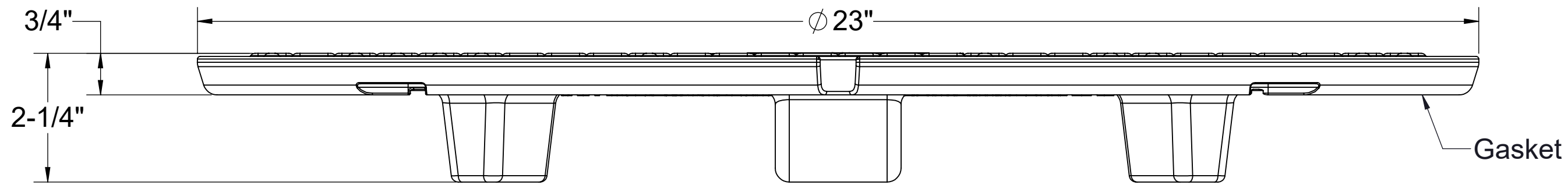
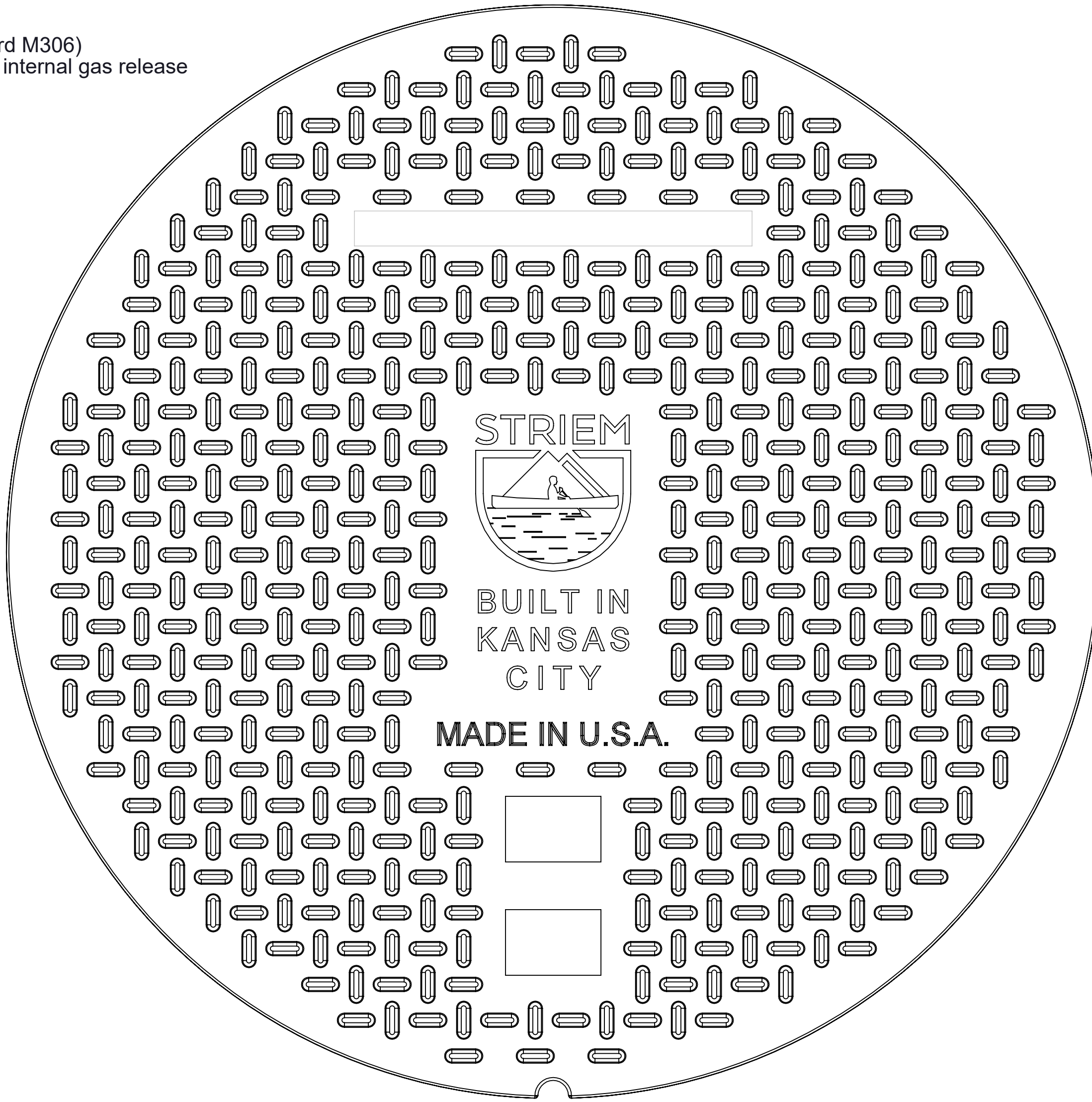


**SPECIFICATIONS (C24-HP)**

1. Maximum Cover load: 16,000 lbs. with safety factor of 2.5 (per AASHTO Standard M306)
2. Pickable cover with rubber gasket, protects against surface water infiltration and internal gas release
3. Cover material: Cast gray iron ASTM A-48, Class 35B
4. Total weight: 75 pounds
5. Part Color: Gray

**ENGINEER SPECIFICATION GUIDE**

Cover shall be pickable and sealed with a rubber gasket.  
 Cover shall hold a load of 16,000 lbs. with a safety factor of 2.5.



<b>MODEL NUMBER:</b> C24-HP	
<b>DESCRIPTION:</b> COVER, 23IN, PICKABLE CAST IRON H-20, HS-20 RATED 16,000 lbs.	
<b>DWG BY:</b> JC	<b>DATE:</b> 9/12/22
<b>REV:</b> 0	<b>ECO:</b>

**SPECIFICATION SHEET**

**Striem**  
 3100 Brinkerhoff  
 Kansas City, KS 66115  
 Tel: 913-222-1500  
 orders@striemco.com  
 www.striemco.com



Made in the U.S.A

PROPRIETARY AND CONFIDENTIAL

THE INFORMATION CONTAINED IN THIS DRAWING IS THE SOLE PROPERTY OF STRIEM, LLC. ANY REPRODUCTION IN PART OR AS A WHOLE WITHOUT THE WRITTEN PERMISSION OF STRIEM, LLC. IS PROHIBITED.