

SPECIFICATIONS

1. 4" Plain End inlet/outlet standard.
2. Flow rate: 125 GPM.
3. Liquid capacity: 250 Gallons.
4. Solids capacity: 200 Gallons.
5. Unit weight: 345 lbs.
6. Maximum operating temperature 140°F continuous.

NOTES

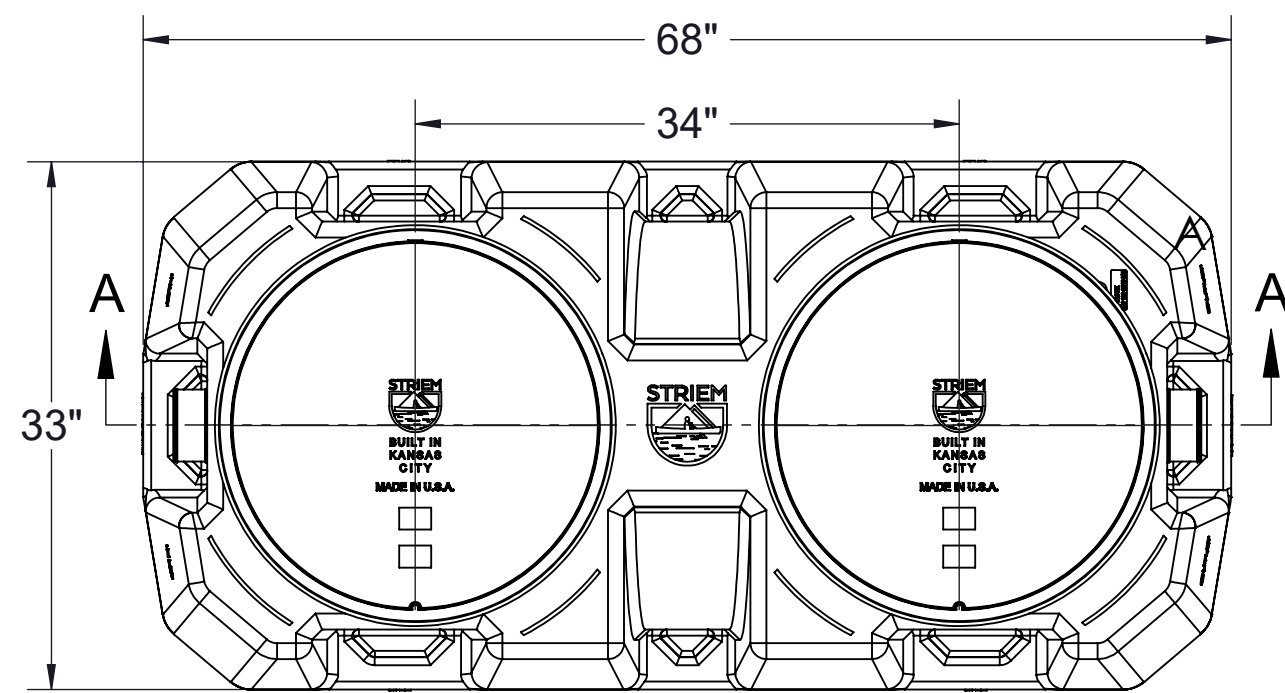
1. For gravity drainage applications only.
2. Do not use for pressure applications.
3. Cover placement allows full access to tank for proper maintenance.
4. Narrow footprint allows clearance through doorways and down stairs.
5. Driptubes are removable to inspect or clean piping.

ENGINEER SPECIFICATION GUIDE

Striem solids interceptor model CB-275-SFL shall be lifetime guaranteed and made in the USA. Interceptor shall be constructed of polyethylene. Interceptor shall be manufactured for above- or below-grade installation. Field-adjustable riser system is available as an option to bring manhole covers to grade. Interceptor liquid holding capacity shall be 250 gallons and solids capacity shall be 200 gallons. Covers shall be H20 rated pickable cast iron.

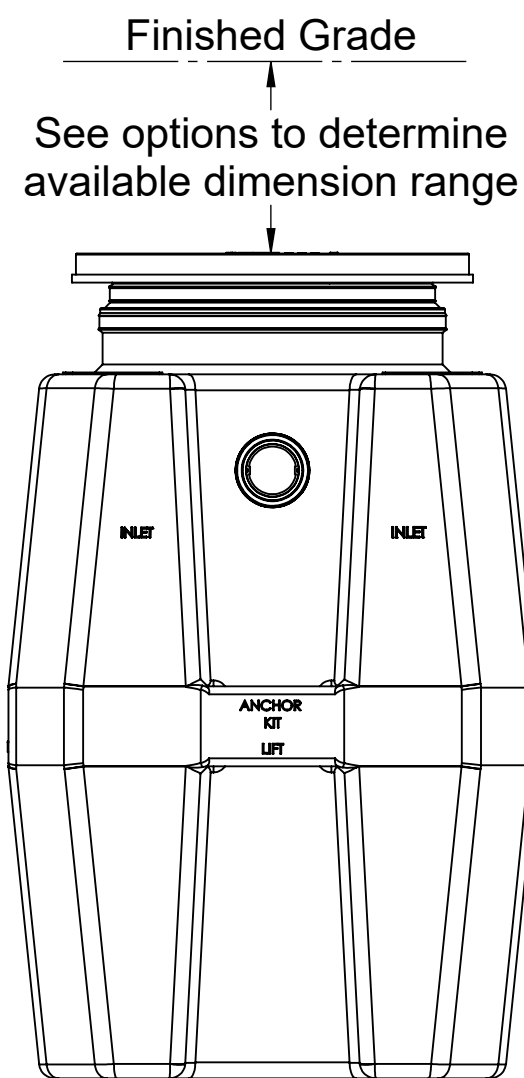
THIRD PARTY STRUCTURAL ANALYSIS

The CB-275-SFL has been structurally analyzed in accordance with the requirements of IBC 2012 and ASCE/SEI 7 for direct burial. The maximum burial depth and backfill material are specified in our installation instructions. The structural design has been reviewed and sealed by a professional engineer registered in the state of California. A sealed structural analysis report is available upon request.

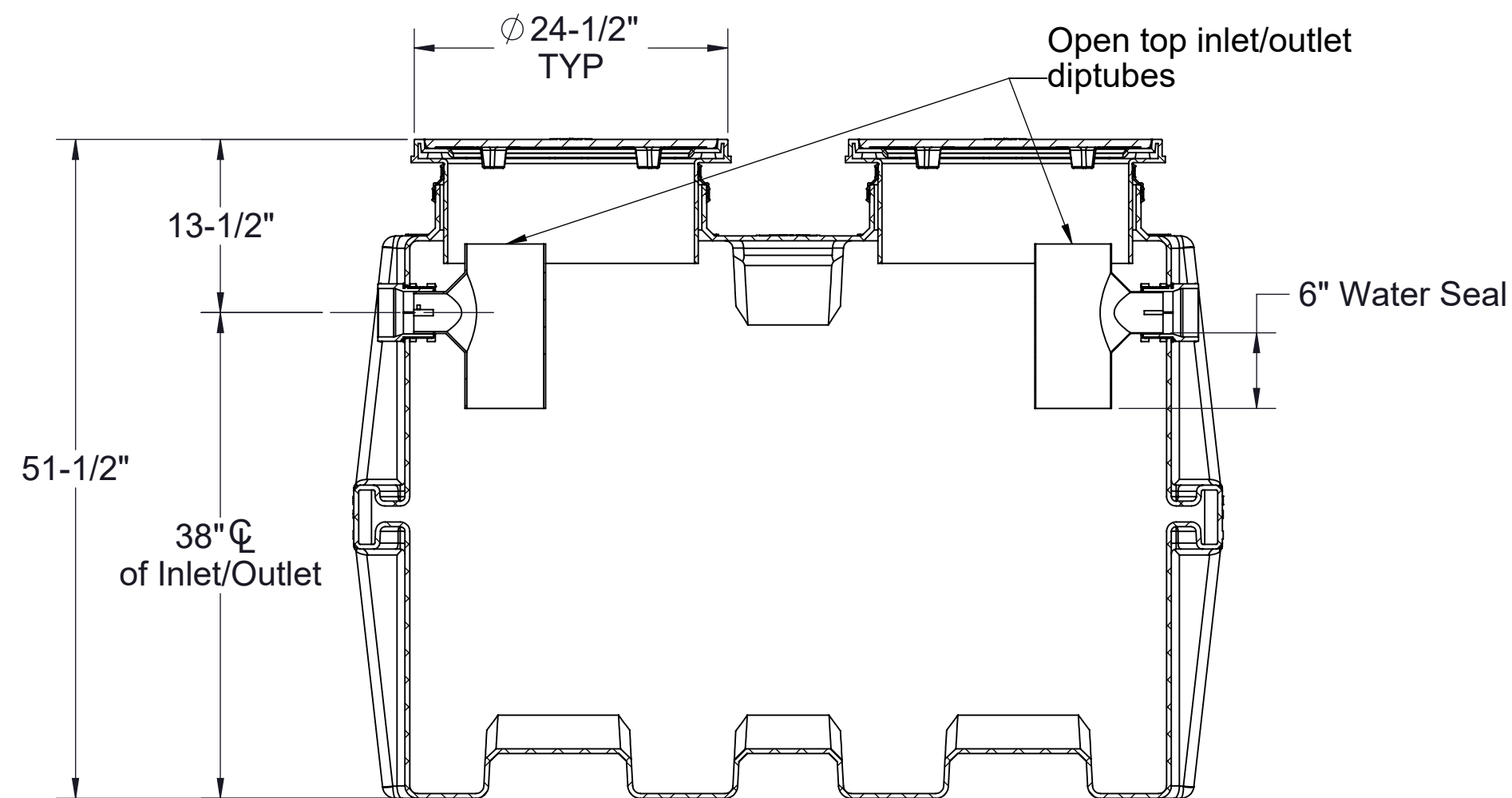


TOP VIEW

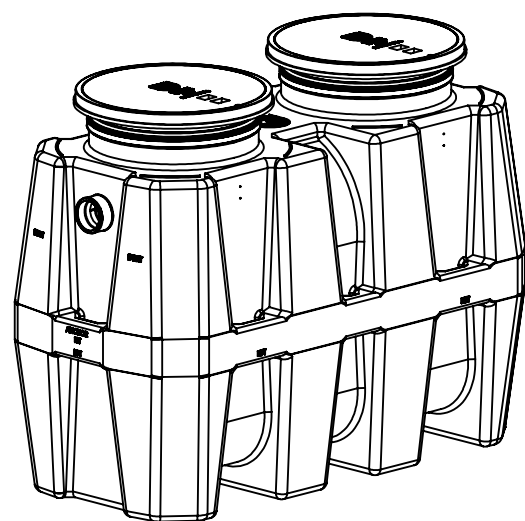
| OPTIONS | |
|--|---|
| Connection Options (Plain End Only) | |
| Inlet / Outlet | |
| <input type="checkbox"/> | 4" |
| <input type="checkbox"/> | 6" |
| Riser Options | |
| From Factory: Up to 5" | |
| <input type="checkbox"/> | Up to 24": SR24 (2) |
| <input type="checkbox"/> | Up to 39": LR24 (2) |
| <input type="checkbox"/> | Up to 43": SR24 (4) |
| <input type="checkbox"/> | Up to 58": SR24 (2) + LR24 (2) |
| <input type="checkbox"/> | Up to 72": LR24 (4) |
| <input type="checkbox"/> | Up to 90": SR24 (2) + LR24 (4) |
| - OR - | |
| <input type="checkbox"/> | CPRK (2): 11" - 90" (See specification for more detail.) |
| Additional Options | |
| <input type="checkbox"/> | HDK-2 : High Water Table Hold Down Kit |
| <input type="checkbox"/> | CC24 (2): Integral Membrane Clamping Collar |



END VIEW



SECTION A-A



| | |
|----------------------|---|
| MODEL NUMBER: | CB-275-SFL |
| DESCRIPTION: | POLYETHYLENE CATCH BASIN WITH H20 RATED PICKABLE CAST IRON COVERS |
| DWG BY: ENG | DATE: 5/4/2023 |
| REV: 0 | |

SPECIFICATION SHEET

Striem
 Kansas City, KS
 Tel: 913-222-1500
 orders@striemco.com
 www.striemco.com

Made in the U.S.A



PROPRIETARY AND CONFIDENTIAL
 THE INFORMATION CONTAINED IN THIS DRAWING IS THE SOLE PROPERTY OF STRIEM, LLC.
 ANY REPRODUCTION IN PART OR AS A WHOLE WITHOUT THE WRITTEN PERMISSION OF STRIEM, LLC. IS PROHIBITED.