

**SPECIFICATIONS**

1. 4" inlet/outlet Sch. 40. Plain End (No-Hub)
2. Flow rate: 125 GPM\*
3. Total capacity: 250 Gallons
4. Solids capacity: 200 Gallons
5. Unit weight w/std. covers: 334 lbs.
6. H2O pickable cast iron cover, 16,000 lbs load.
7. Maximum operating temperature 140°F continuous.  
\*1/4" slope based on Manning's formula with friction factor, N=0.012"

**NOTES**

1. For gravity drainage applications only. Do not use for pressure applications.
2. 3/8" thick seamless polyethylene tank.
3. Unit supplied with built-in adapter for up to 5" of adjustability. Additional riser(s) available for deeper burial depth.
4. Cover placement allows full access to tank for proper maintenance.
5. Designed narrow footprint allows clearance through doorways and down stairwells.
6. Diffuser is removable to inspect or clean piping.
7. For on-the-floor or buried applications.

**ENGINEER SPECIFICATION GUIDE**

Striem Settler™ Catch Basin model CB-275-SFL shall be lifetime guaranteed and made in USA of seamless, rotationally-molded polyethylene with a minimum 3/8" uniform wall thickness. Catch Basin shall be furnished for below grade installation with a H2O rated pickable cast iron cover with 16,000 lb load capacity. Catch Basin shall be provided with outlet and inlet connection.

**THIRD PARTY STRUCTURAL ANALYSIS**

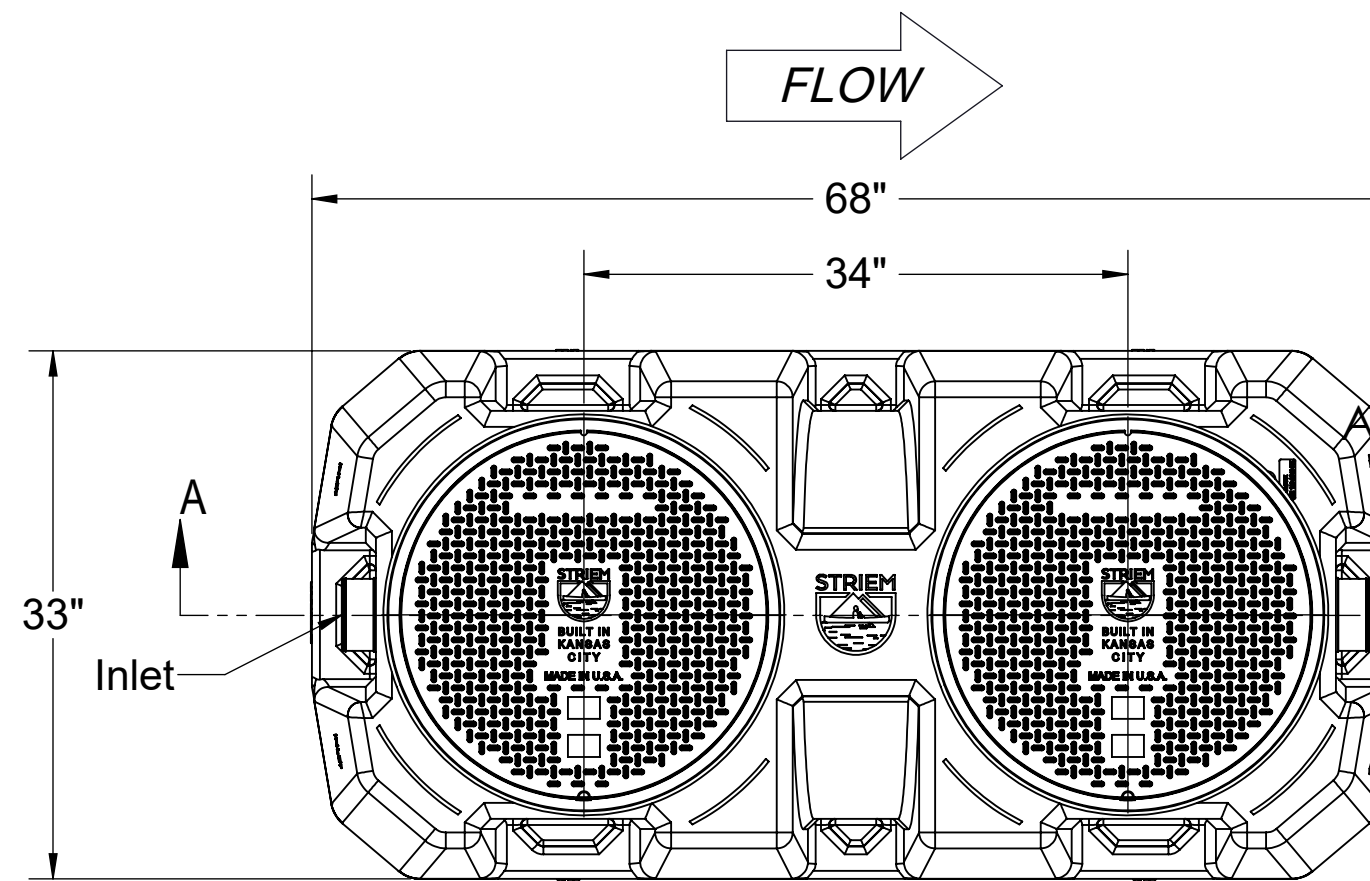
The CB-275-SFL has been structurally analyzed in accordance with the requirements of IBC 2012 and ASCE/SEI 7 for direct burial. The maximum burial depth and backfill material are specified in our installation instructions. The structural design has been reviewed and sealed by a professional engineer registered in the state of California. A sealed structural analysis report is available upon request.

**OPTIONS**

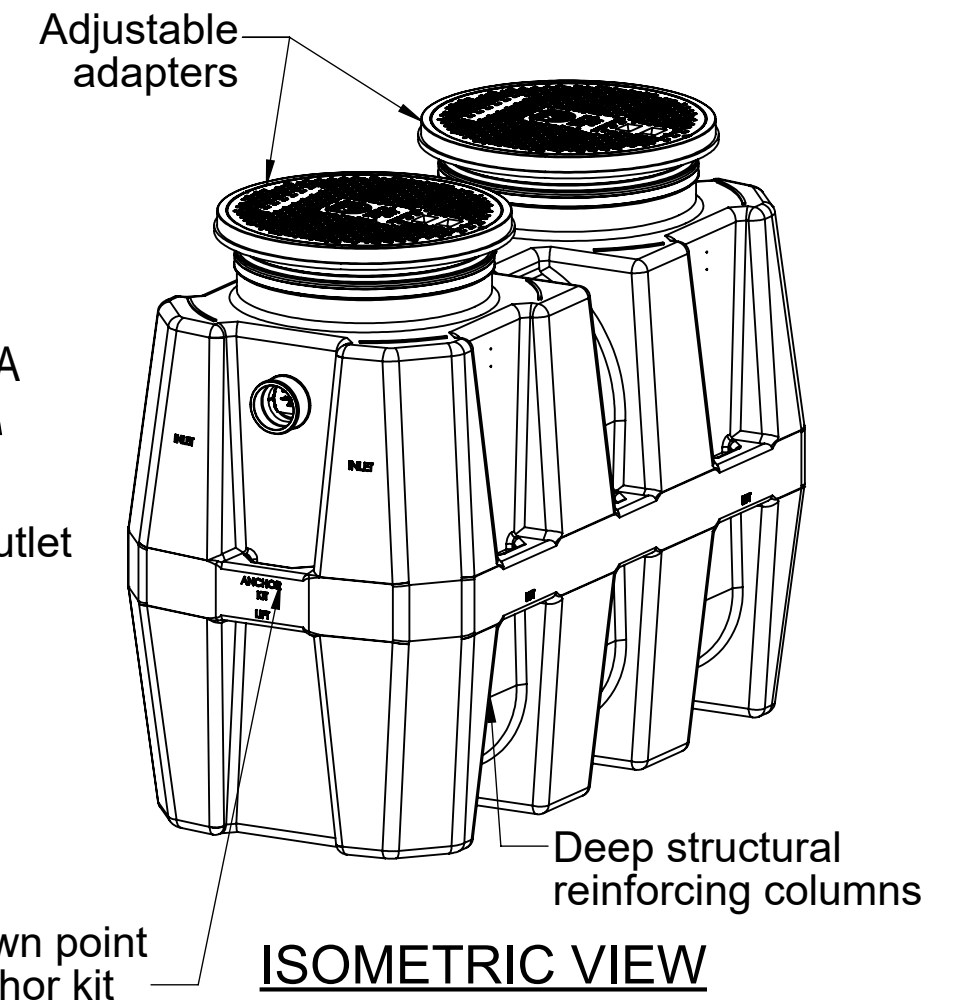
- 6P - 6" Plain end inlet / outlet
- CC24 (2) - Integral membrane clamping collar
- C24-H (2) - Highway rated bolted composite cover
- HDK-2 - High Water Anchor Kit

**RISER OPTIONS**

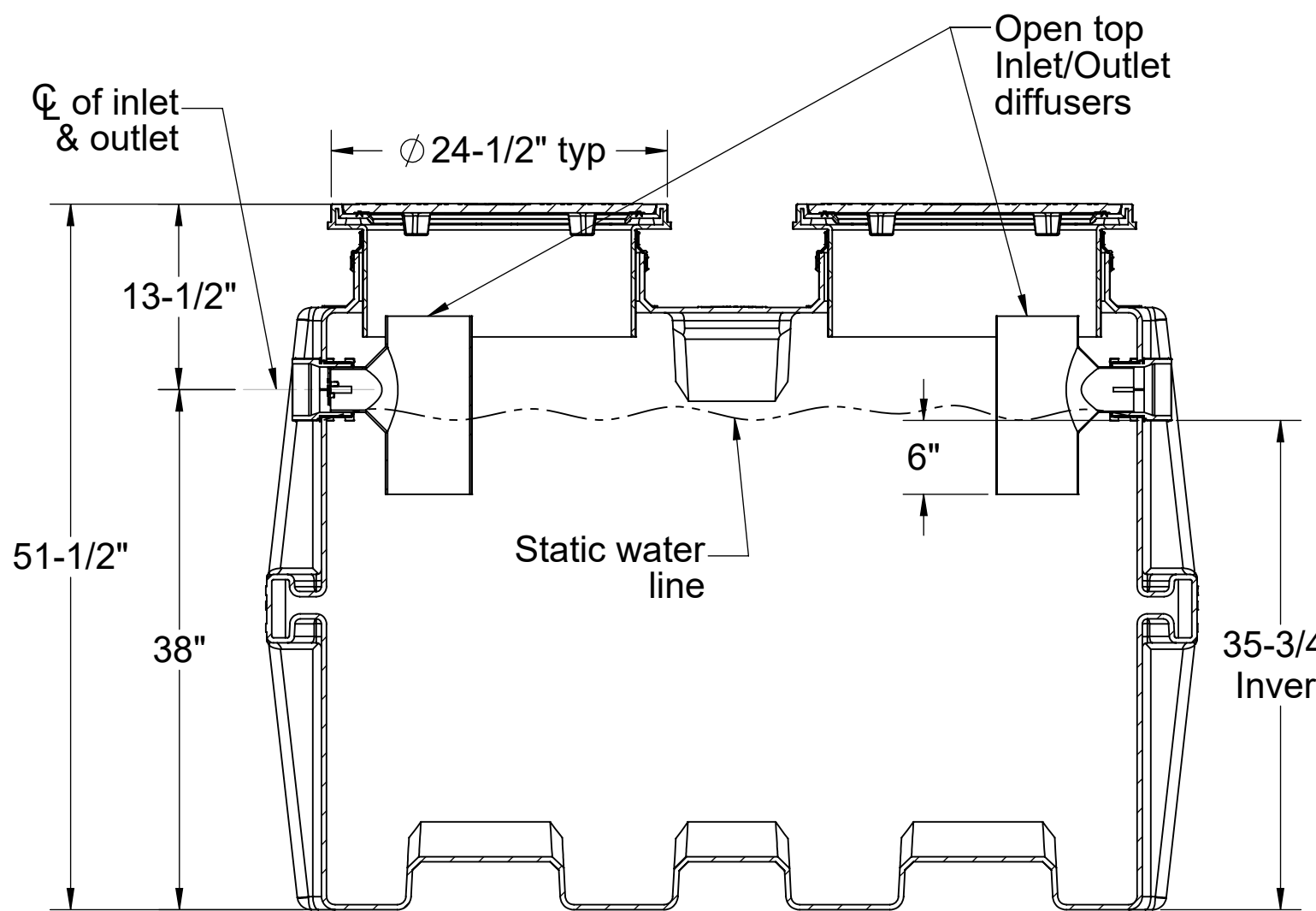
- SR24 (2) - >5"-24"
  - LR24 (2) - >24"-39"
  - SR24 (4) - >39"-43"
  - SR24 (2) + LR24 (2) - >43"-58"
  - LR24 (4) - >58"-72"
  - SR24 (2) + LR24 (4) - >72"-90"
- CPRK (2) : >11" - 90"
    - Corrugated Pipe Riser Kit.
    - 18" diameter corrugated pipe by others.
    - Used in substitute of SR/LR riser options
    - See CPRK specification for more detail.



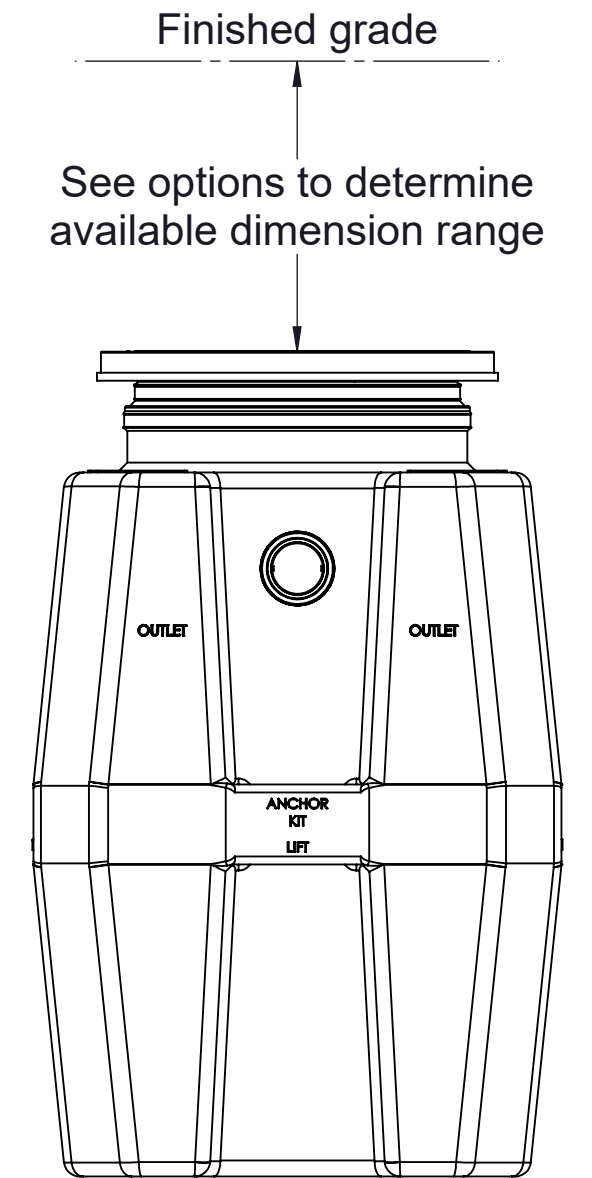
**TOP VIEW**



**ISOMETRIC VIEW**



**SECTION "A-A"**



**OUTLET END VIEW**

Signature of Approval: \_\_\_\_\_  
 Company: \_\_\_\_\_  
 Date of Approval: \_\_\_\_\_  
 Specifying Engineer: \_\_\_\_\_  
 Engineering Firm: \_\_\_\_\_

PO IS NON-CANCELABLE  
 ORDER IS NON-RETURNABLE

|  |                         |               |             |
|--|-------------------------|---------------|-------------|
| <b>MODEL NUMBER:</b> CB-275-SFL  |                         |               |             |
| <b>DESCRIPTION:</b><br>POLYETHYLENE CATCH BASIN SOLIDS INTERCEPTOR WITH H2O RATED PICKABLE CAST IRON COVER |                         |               |             |
| <b>DWG BY:</b> MJ  | <b>DATE:</b> 12/14/2020 | <b>REV:</b> 0 | <b>ECO:</b> |

**SPECIFICATION SHEET**

**Striem**  
 3100 Brinkerhoff  
 Kansas City, KS 66115  
 Tel: 913-222-1500  
 orders@striemco.com  
 www.striemco.com



Made in the U.S.A

PROPRIETARY AND CONFIDENTIAL  
 THE INFORMATION CONTAINED IN THIS DRAWING IS THE SOLE PROPERTY OF STRIEM, LLC. ANY REPRODUCTION IN PART OR AS A WHOLE WITHOUT THE WRITTEN PERMISSION OF STRIEM, LLC. IS PROHIBITED.