

SPECIFICATIONS

1. 4" Plain inlet/outlet.
2. Liquid capacity: 57 Gallons.
3. Solids capacity: 25 Gallons.
4. Basket capacity: 7 Gallons.
5. Unit weight: 200 lbs.
6. Maximum operating temperature 140°F continuous.
7. H2O rated cast iron grate.

NOTES

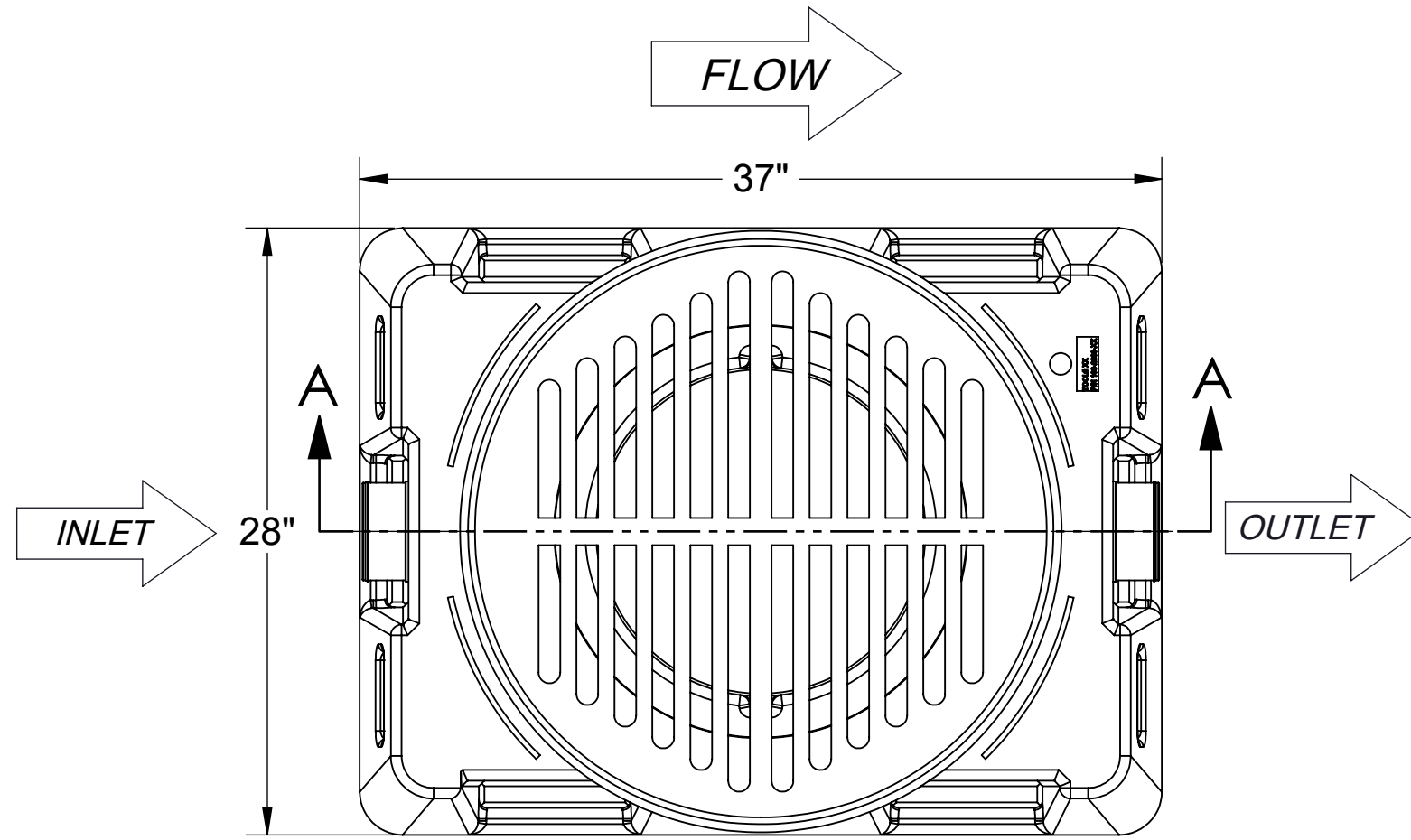
1. For gravity drainage applications only. Do not use for pressure applications.
2. 3/8" thick seamless polyethylene tank.
3. Unit supplied with built-in adapter for up to 2" of adjustability. Additional riser(s) available for deeper burial depth.
4. Cover placement allows full access to tank for proper maintenance.
5. Designed narrow footprint allows clearance through doorways and down stairwells.
6. Diptube is removable to inspect or clean piping.
7. For buried applications.

ENGINEER SPECIFICATION GUIDE

Striem Settler™ catch basin model CB-50-G shall be lifetime guaranteed and made in USA of seamless, rotationally-molded polyethylene with a 3/8" nominal wall thickness. Catch basin shall be furnished for below-grade installation with cast iron H2O rated grated cover. Catch basin shall be provided with outlet and inlet connection.

THIRD PARTY STRUCTURAL ANALYSIS

The CB-50-G has been structurally analyzed in accordance with the requirements of IBC 2012 and ASCE/SEI 7 for direct burial. The maximum burial depth and backfill material are specified in our installation instructions. The structural design has been reviewed and sealed by a professional engineer registered in the state of California. A sealed structural analysis report is available upon request.



TOP VIEW

Directions: Complete steps 1-3 and submit with purchase order.

1. Choose Connection Types.

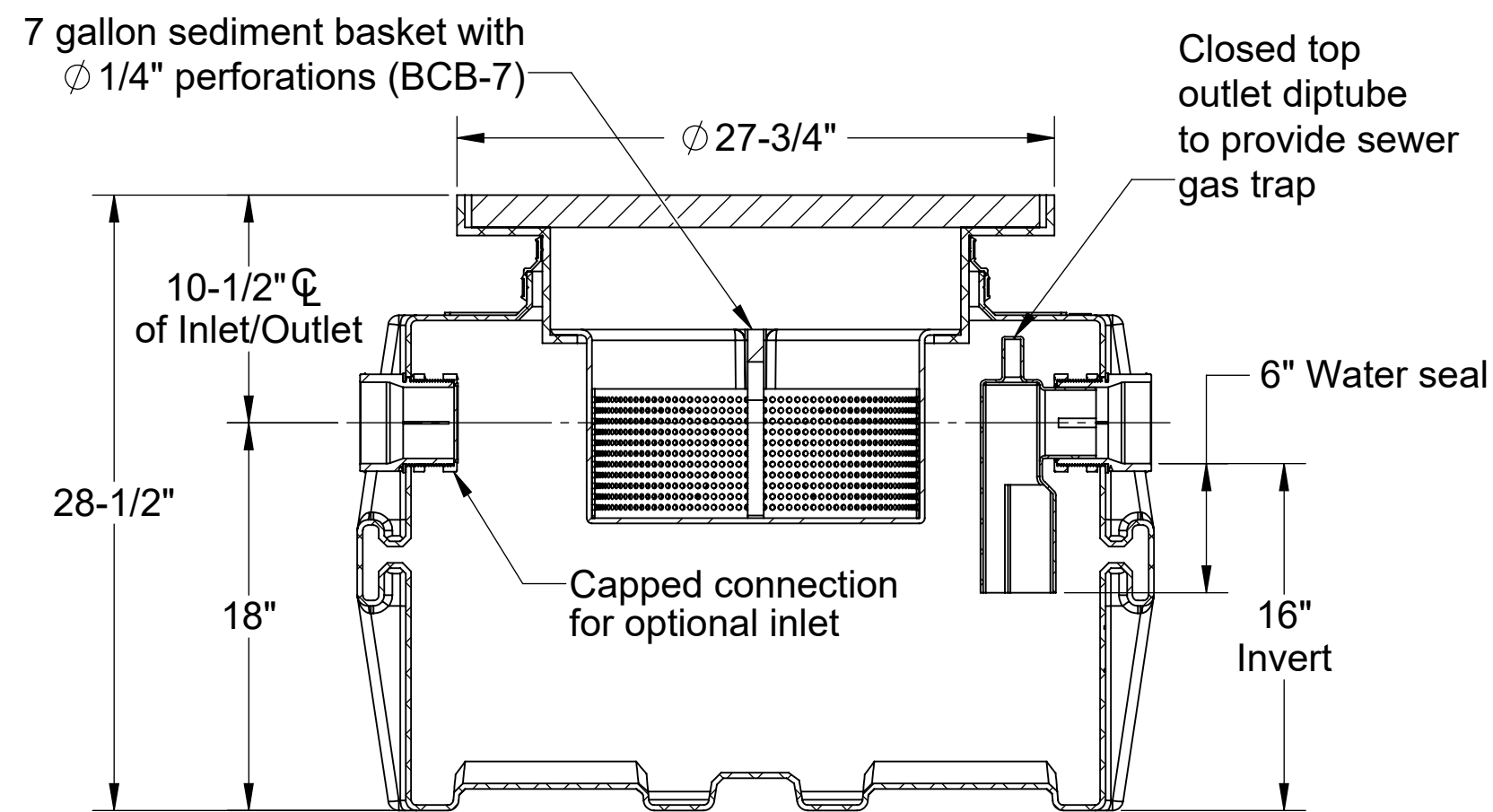
Inlet / Outlet	Size
<input type="checkbox"/> Plain End	<input type="checkbox"/> 3"
<input type="checkbox"/> Male End	<input type="checkbox"/> 4"

2. Riser Options.

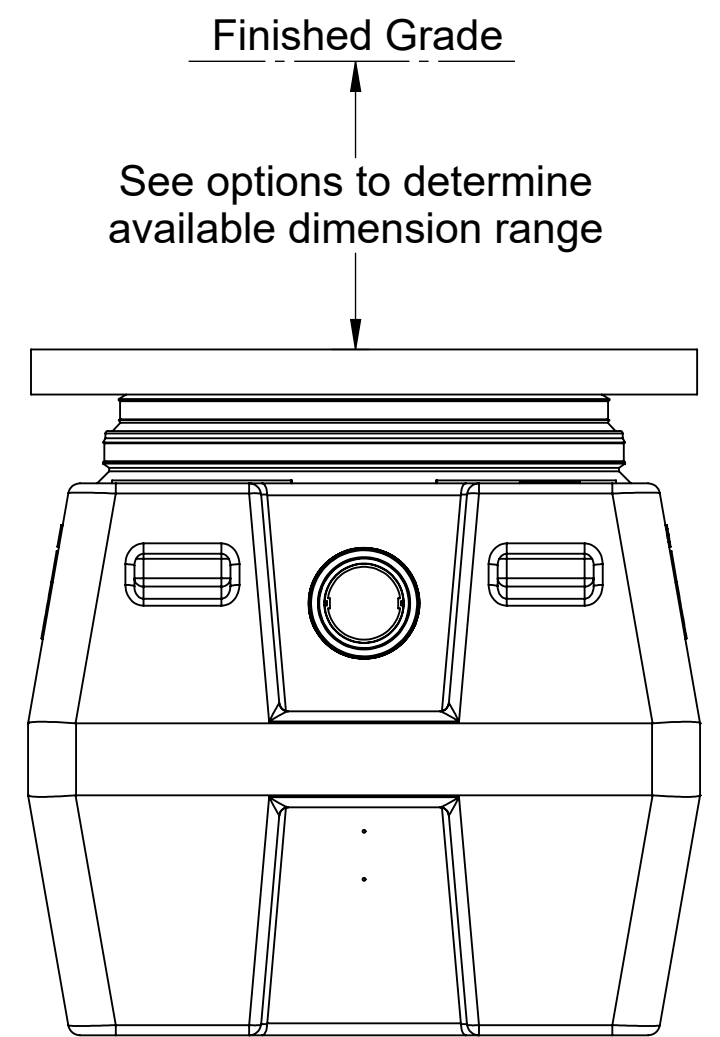
- Included:** 0" - 2"
- SR24: 5" - 24"
 - LR24: 24" - 39"
- *If in the range of 2" - 5", contact Striem for a custom solution.

3. Additional Options.

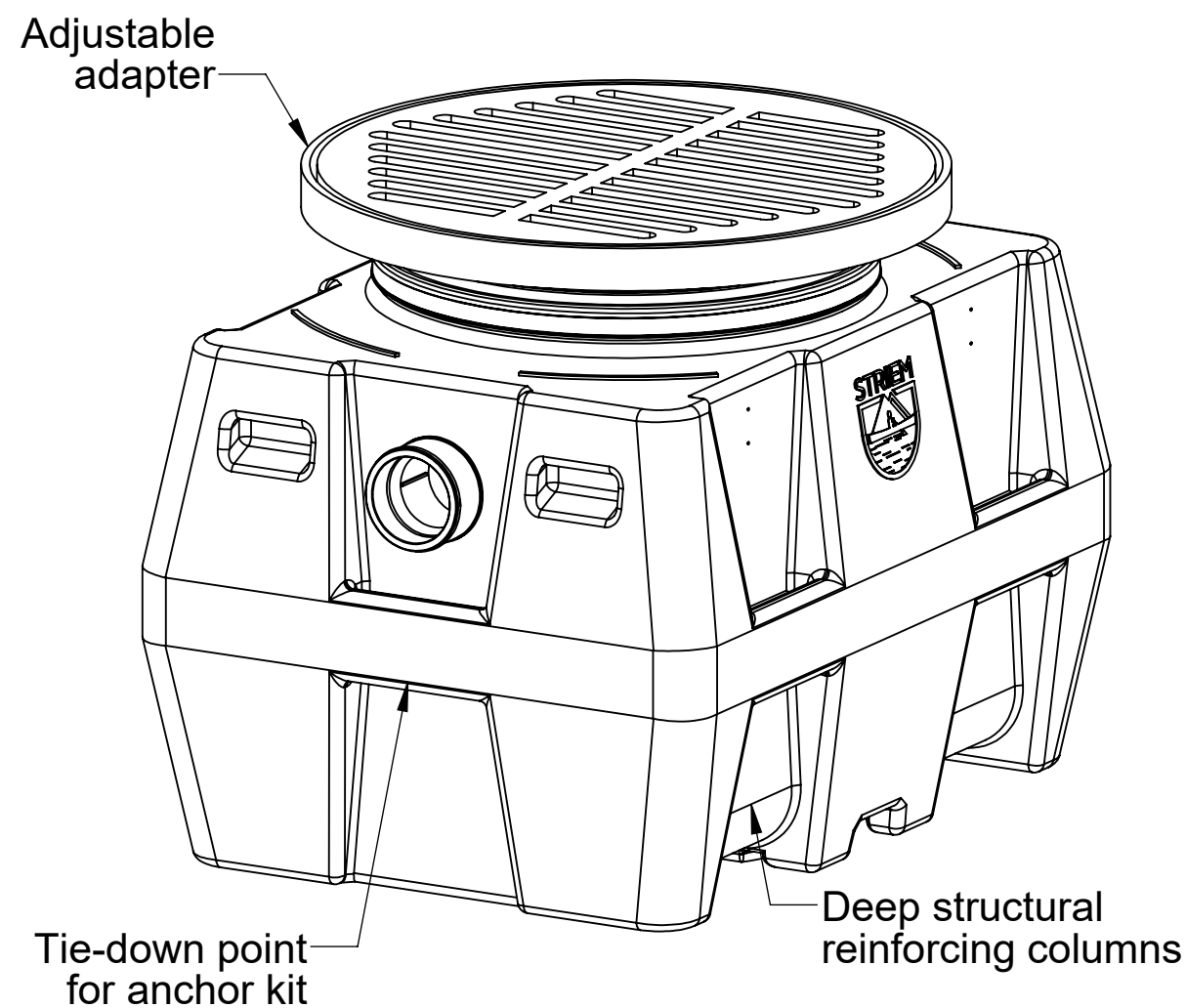
- HDK-2: High Water Anchor Kit



SECTION A-A



OUTLET END VIEW



ISOMETRIC VIEW

MODEL NUMBER: CB-50-G

DESCRIPTION:
SETTLER SERIES
POLYETHYLENE CATCH BASIN
WITH H2O RATED CAST IRON GRATE
WITH BCB-7 SEDIMENT BASKET

SPECIFICATION SHEET

Striem
3100 Brinkerhoff
Kansas City, KS 66115
Tel: 913-222-1500
orders@striemco.com
www.striemco.com



Made in the U.S.A

DWG BY: ENG **DATE:** 12/5/2022 **REV:** 1

PROPRIETARY AND CONFIDENTIAL

THE INFORMATION CONTAINED IN THIS DRAWING IS THE SOLE PROPERTY OF STRIEM, LLC. ANY REPRODUCTION IN PART OR AS A WHOLE WITHOUT THE WRITTEN PERMISSION OF STRIEM, LLC. IS PROHIBITED.