

SPECIFICATIONS

1. 4" plain end inlet/outlet.
2. Flow rate: 125 GPM*
3. Total capacity: 52 Gallons.
4. Solids capacity: 31 Gallons.
5. Unit weight w/std. covers: 153 lbs.
6. H2O rated pickable cast iron cover.
7. Maximum operating temperature 140°F continuous.
*1/4" slope based on Manning's formula with friction factor, N=0.012"

NOTES

1. For gravity drainage applications only. Do not use for pressure applications.
2. 3/8" thick seamless polyethylene tank.
3. Unit supplied with built-in adapter for up to 2" of adjustability. Additional riser(s) available for deeper burial depth.
4. Cover placement allows full access to tank for proper maintenance.
5. Designed narrow footprint allows clearance through doorways and down stairwells.
6. Diffuser is removable to inspect or clean piping.
7. For on-the-floor or buried applications.

ENGINEER SPECIFICATION GUIDE

Striem Settler™ Catch Basin model CB-50-SFL shall be lifetime guaranteed and made in USA of seamless, rotationally-molded polyethylene with a minimum 3/8" uniform wall thickness. Catch Basin shall be furnished for below grade installation with a H2O rated pickable cast iron cover with 16,000 lb load capacity. Catch Basin shall be provided with outlet and inlet connection.

THIRD PARTY STRUCTURAL ANALYSIS

The CB-50-SFL has been structurally analyzed in accordance with the requirements of IBC 2012 and ASCE/SEI 7 for direct burial. The maximum burial depth and backfill material are specified in our installation instructions. The structural design has been reviewed and sealed by a professional engineer registered in the state of California. A sealed structural analysis report is available upon request.

OPTIONS

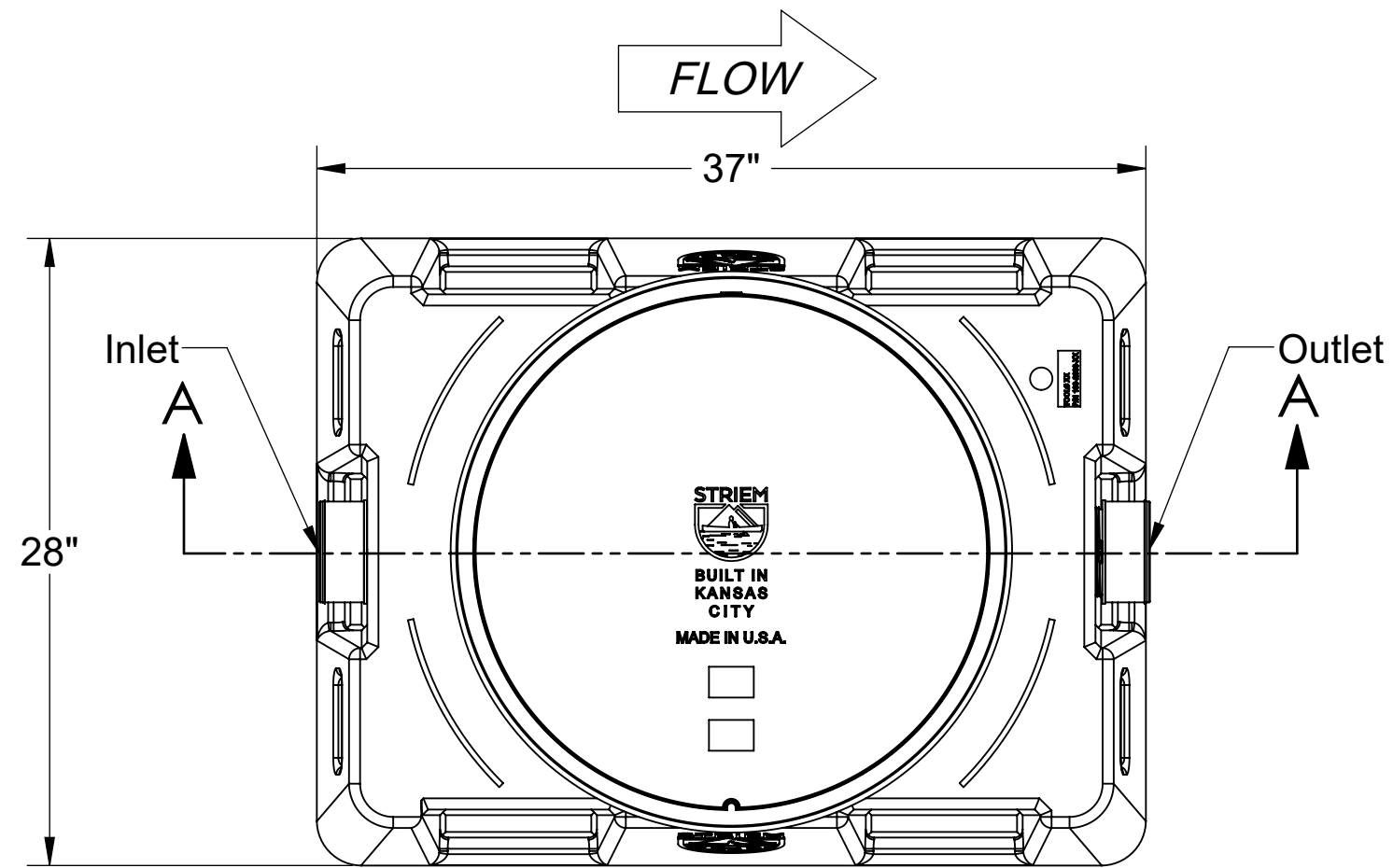
- CC24** - Integral membrane clamping collar
- C24-H** - Highway rated bolted composite cover
- HDK-2** - High Water Anchor Kit

TeleGlide RISER OPTIONS

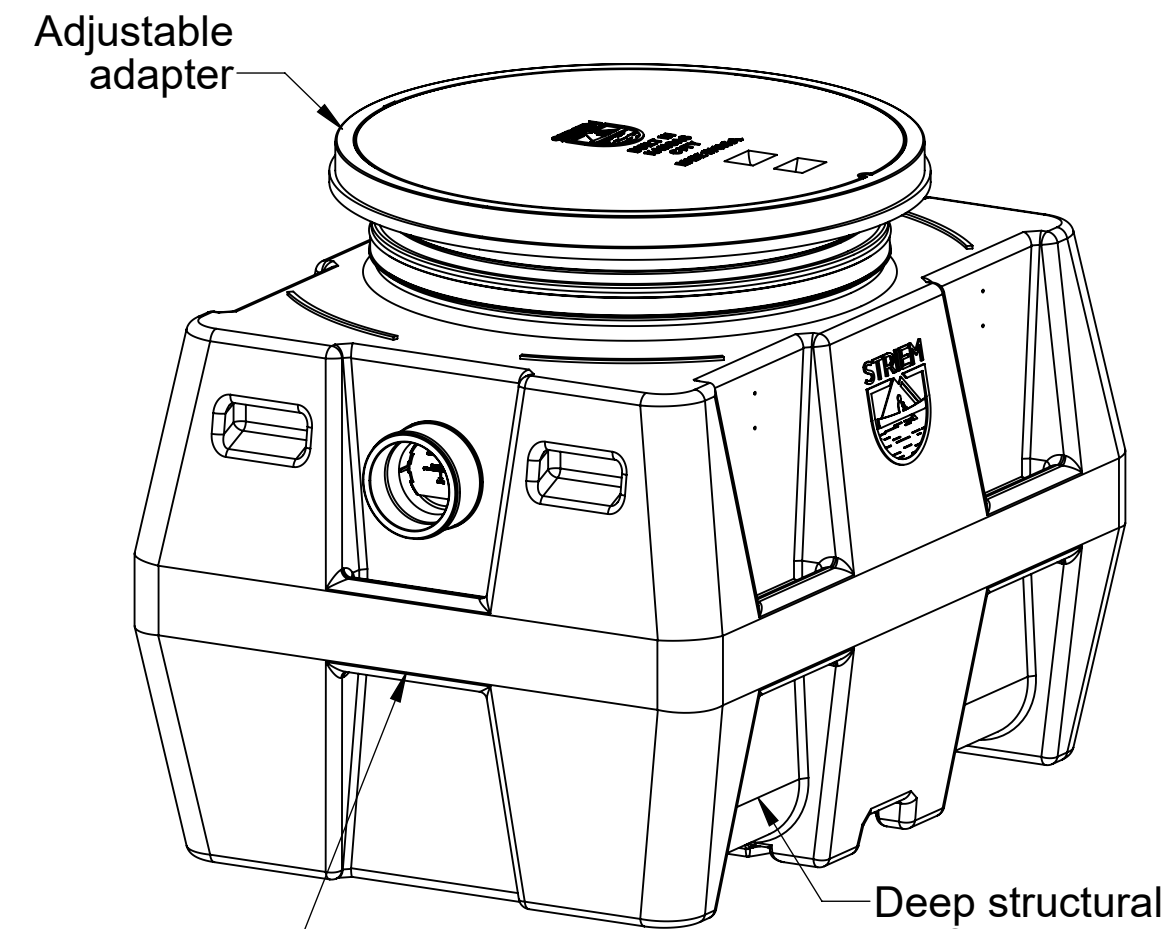
Included: 0" - 2"

- SR24**: 5" - 24"
- LR24**: 24" - 39"

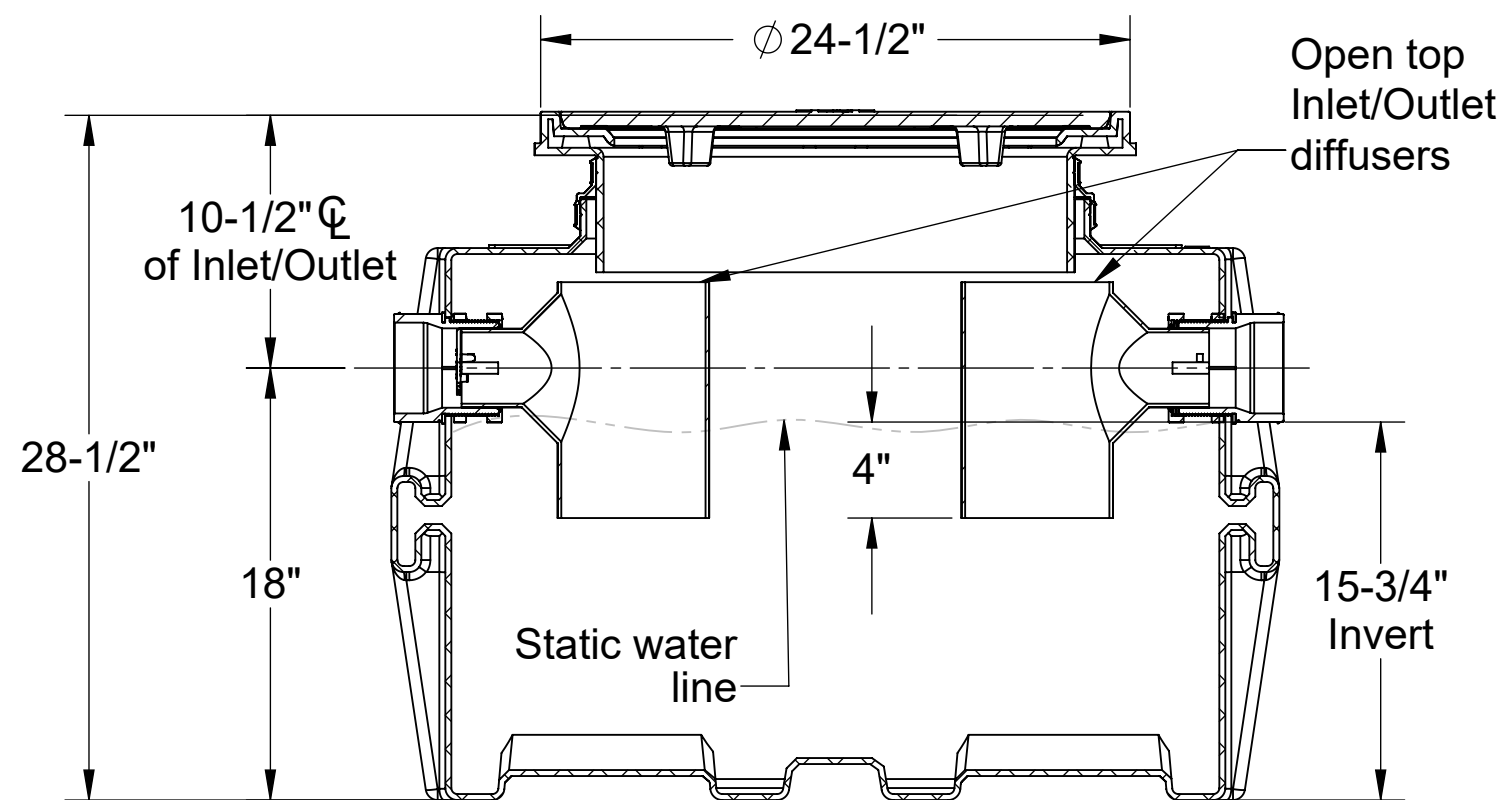
*If in the range of 2"-5", contact Striem for a custom solution.



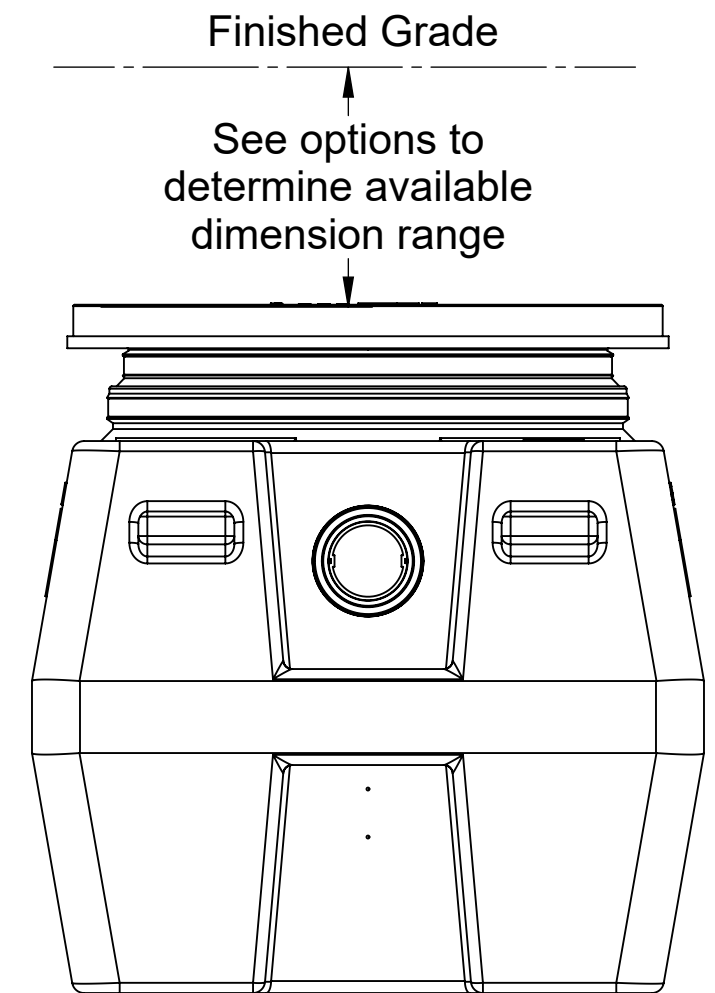
TOP VIEW



ISOMETRIC VIEW



SECTION "A-A"



OUTLET END VIEW

**PO IS NON-CANCELABLE
ORDER IS NON-RETURNABLE**

Signature of Approval: _____

Company: _____

Date of Approval: _____

Specifying Engineer: _____

Engineering Firm: _____

PROPRIETARY AND CONFIDENTIAL

THE INFORMATION CONTAINED IN THIS DRAWING IS THE SOLE PROPERTY OF STRIEM, LLC. ANY REPRODUCTION IN PART OR AS A WHOLE WITHOUT THE WRITTEN PERMISSION OF STRIEM, LLC. IS PROHIBITED.

MODEL NUMBER: CB-50-SFL	
DESCRIPTION: POLYETHYLENE CATCH BASIN SOLIDS INTERCEPTOR WITH H2O RATED PICKABLE CAST IRON COVER	
DWG BY: MJ	DATE: 04/13/2022 REV: 0 ECO:

SPECIFICATION SHEET

Striem
3100 Brinkerhoff
Kansas City, KS 66115
Tel: 913-222-1500
orders@striemco.com
www.striemco.com



Made in the U.S.A