

SPECIFICATIONS

1. 4" Plain End inlet/outlet standard.
2. Flow rate: 125 GPM.
3. Liquid capacity: 57 Gallons.
4. Solids capacity: 31 Gallons.
5. Unit weight: 153 lbs.
6. Maximum operating temperature 140°F continuous.

NOTES

1. For gravity drainage applications only.
2. Do not use for pressure applications.
3. Cover placement allows full access to tank for proper maintenance.
4. Narrow footprint allows clearance through doorways and down stairs.
5. Diptubes are removable to inspect or clean piping.

ENGINEER SPECIFICATION GUIDE

Striem solids interceptor model CB-50-SFL shall be lifetime guaranteed and made in the USA. Interceptor shall be constructed of polyethylene. Interceptor shall be manufactured for above- or below-grade installation. Field-adjustable riser system is available as an option to bring manhole cover to grade. Interceptor liquid holding capacity shall be 57 gallons and solids capacity shall be 31 gallons. Cover shall be H20 rated pickable cast iron.

THIRD PARTY STRUCTURAL ANALYSIS

The CB-50-SFL has been structurally analyzed in accordance with the requirements of IBC 2012 and ASCE/SEI 7 for direct burial. The maximum burial depth and backfill material are specified in our installation instructions. The structural design has been reviewed and sealed by a professional engineer registered in the state of California. A sealed structural analysis report is available upon request.

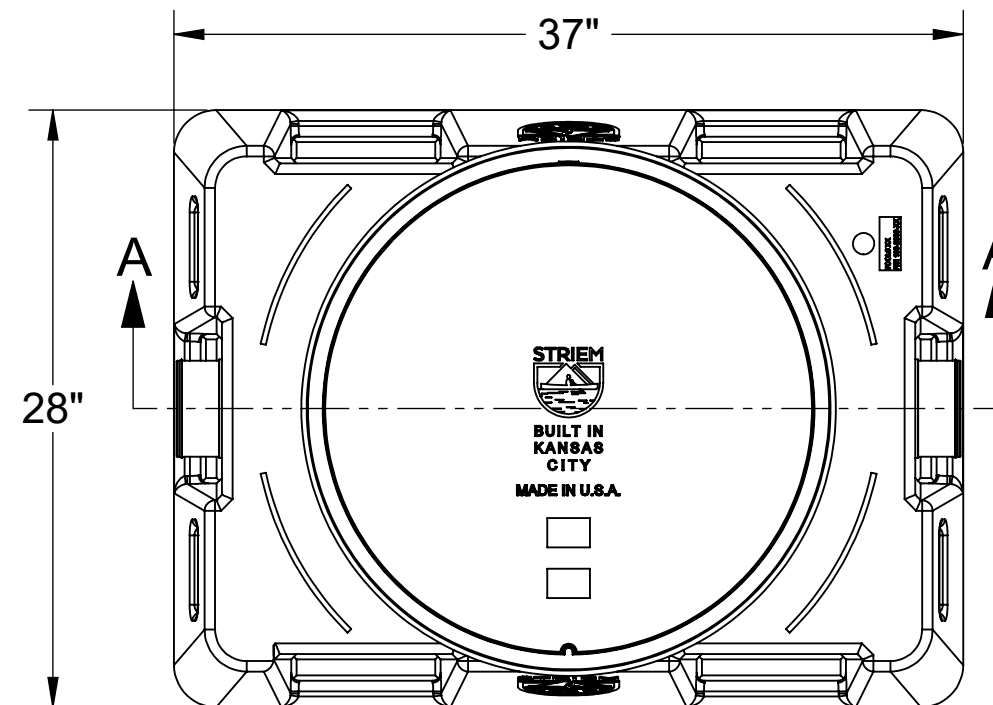
OPTIONS

Riser Options

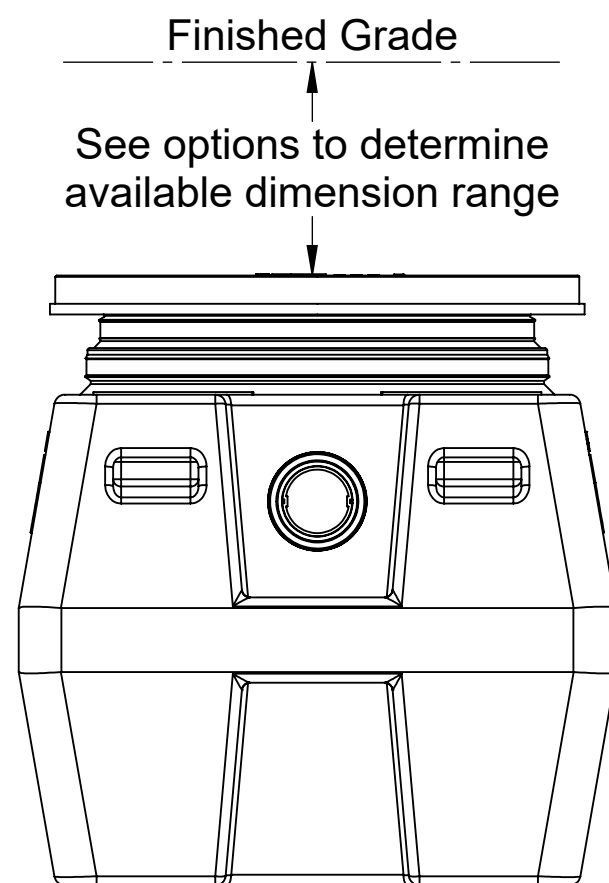
- From Factory:** Up to 5"
 Up to 24": **SR24**
 Up to 39": **LR24**

Additional Options

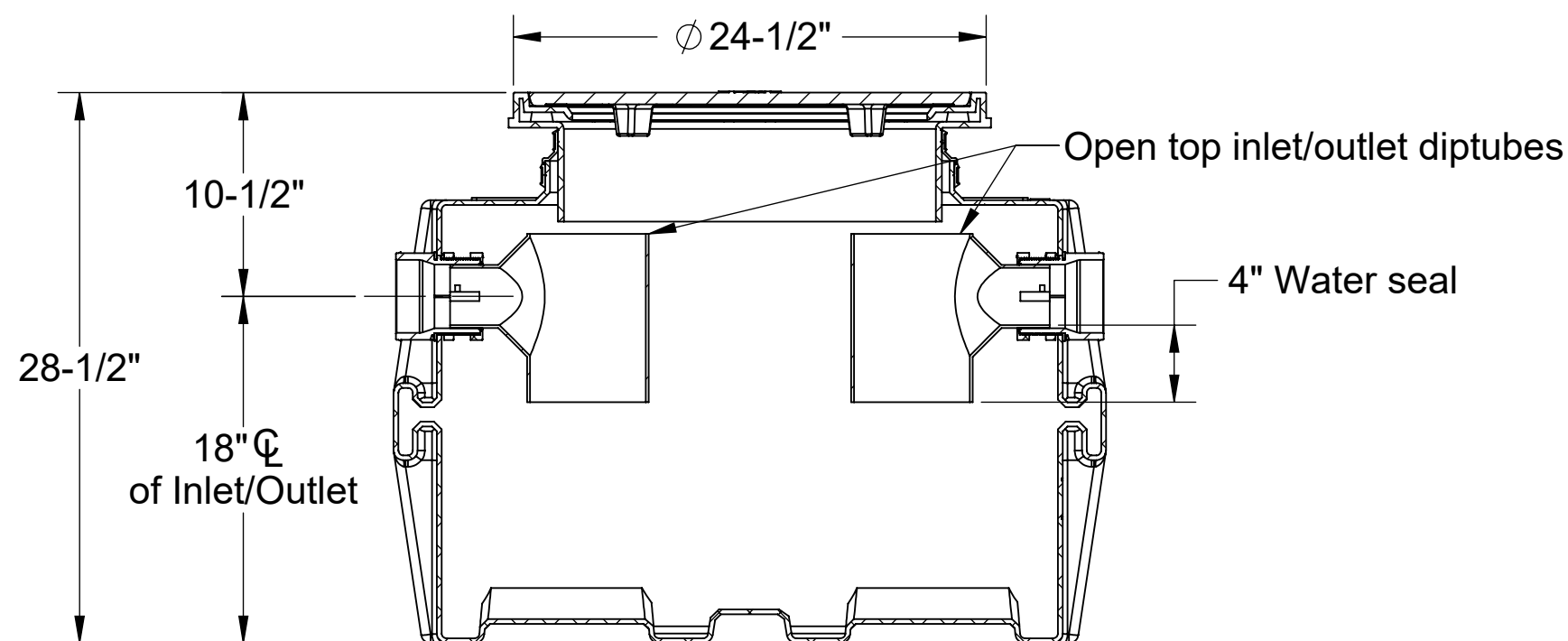
- HDK-2:** High Water Table Hold Down Kit
 CC24: Integral Membrane Clamping Collar



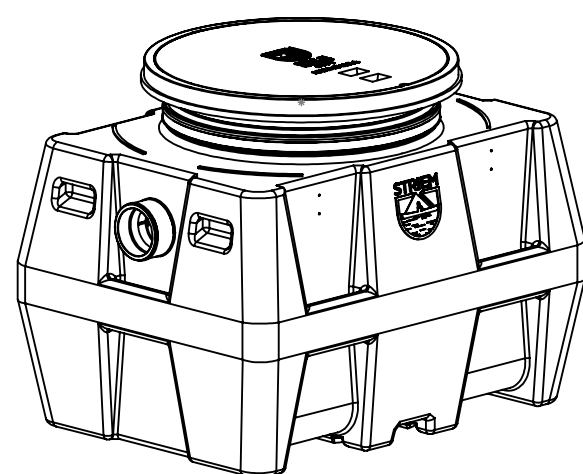
TOP VIEW



END VIEW



SECTION A-A



PROPRIETARY AND CONFIDENTIAL
 THE INFORMATION CONTAINED IN THIS DRAWING IS THE SOLE PROPERTY OF STRIEM, LLC.
 ANY REPRODUCTION IN PART OR AS A WHOLE WITHOUT THE WRITTEN PERMISSION OF STRIEM, LLC. IS PROHIBITED.

MODEL NUMBER:	CB-50-SFL
DESCRIPTION:	POLYETHYLENE CATCH BASIN WITH H20 RATED PICKABLE CAST IRON COVER
DWG BY:	ENG
DATE:	5/9/2023
REV:	1

SPECIFICATION SHEET

Striem
 Kansas City, KS
 Tel: 913-222-1500
 orders@striemco.com
 www.striemco.com

Made in the U.S.A

