

SPECIFICATIONS

1. NEMA 4X lockable enclosure.
2. 120 VAC power supply required.
3. All components are UL listed.
4. Sensor can be mounted up to 3,000 feet from Command Center.

NOTES

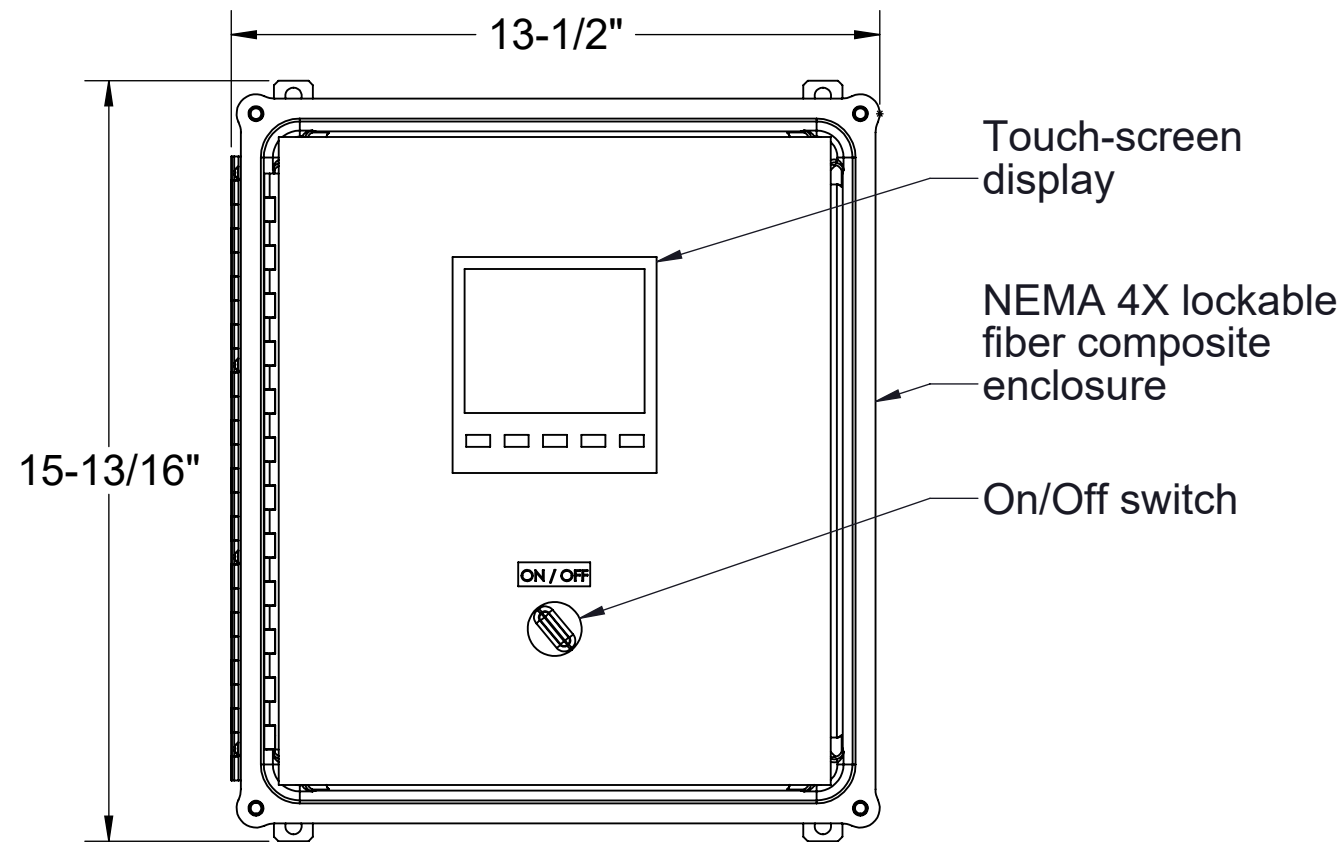
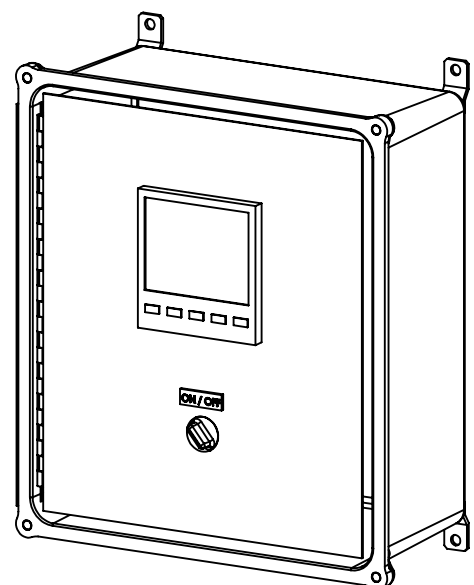
1. Ready-To-Use: Pre-programmed audio/visual alarm set points.
2. Touch-Screen: Bright, easy-to-navigate 3.5" color touch-screen display.
3. Large Memory Storage: Includes two formatted micro SD cards. Each card stores approximately 1 year of history.
4. Exports to Excel: Recorded data logs, alarm history, and trend data export to Excel for easy data management.
5. Remote Access: Use Ethernet connection to remotely manage the Command Center through your company's building management system.
6. Fresh Water Flush: Pre-programmed with digital output to power solenoid valve for fresh water flush if pH approaches high/low limits.
7. Weatherproof enclosure and temperature resistant from 32 °F to 122 °F.

ENGINEER SPECIFICATION GUIDE

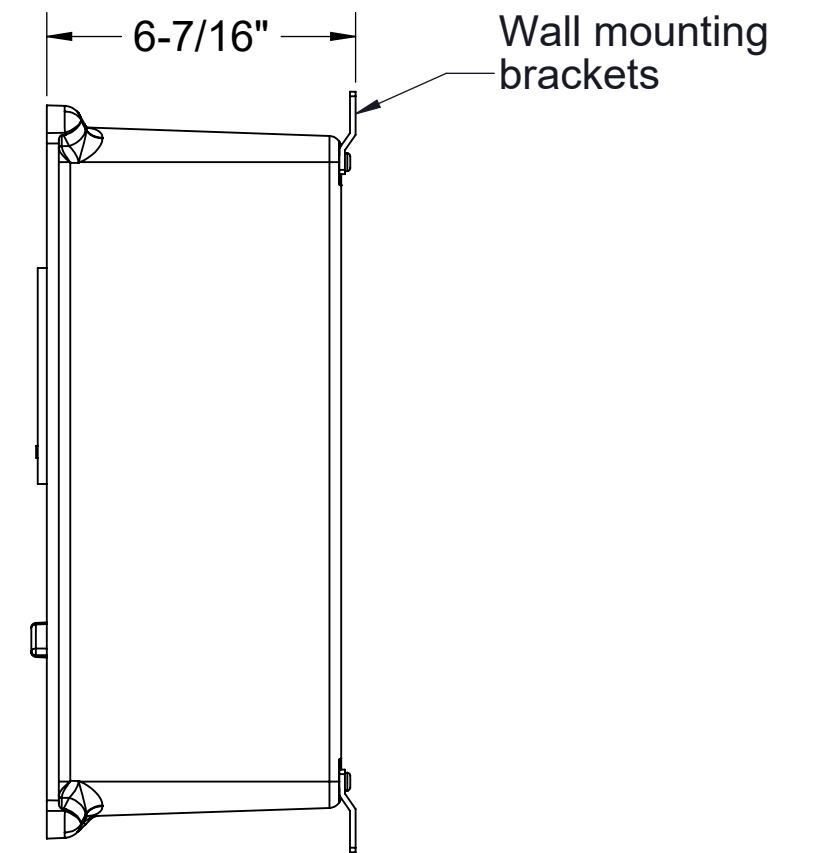
Command Center pH Monitor shall be furnished with audio/visual alarms, pre-programmed high/low pH limits, and logic to flush outlet line with fresh water as pH approaches high/low limits (solenoid and piping by others). Monitor shall include (2) SD cards for approximately 2 years of recording memory. Monitor shall be furnished with pH sensor maintenance kit containing sensor cleaning brush and solution, calibration buffer solutions, NEMA 4X lockable enclosure, and fully UL listed components.

WHAT'S IN THE BOX?

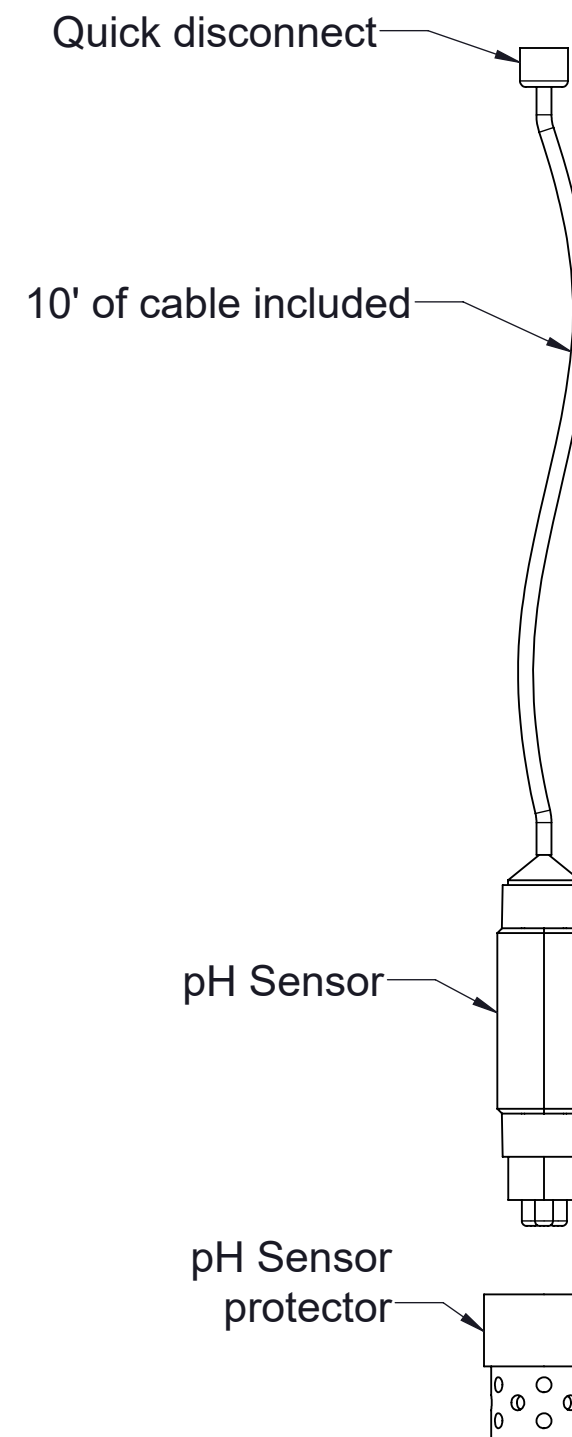
- Control Panel
- pH Sensor
- pH Sensor Protector
- 50' Cable
- SD Cards With Adapters
- USB Flash Drive
- Ice Cube Relay
- Sensor Maintenance And Calibration Kit



FRONT VIEW



SIDE VIEW



PROPRIETARY AND CONFIDENTIAL
 THE INFORMATION CONTAINED IN THIS DRAWING IS THE SOLE PROPERTY OF STRIEM, LLC.
 ANY REPRODUCTION IN PART OR AS A WHOLE WITHOUT THE WRITTEN PERMISSION OF STRIEM, LLC. IS PROHIBITED.

MODEL NUMBER:	CC-1
DESCRIPTION:	COMMAND CENTER™ pH MONITOR
DWG BY: ENG	DATE: 8/14/2023
REV: 1	

SPECIFICATION SHEET	
Striem Kansas City, KS Tel: 913-222-1500 orders@striemco.com www.striemco.com	
Made in the U.S.A	