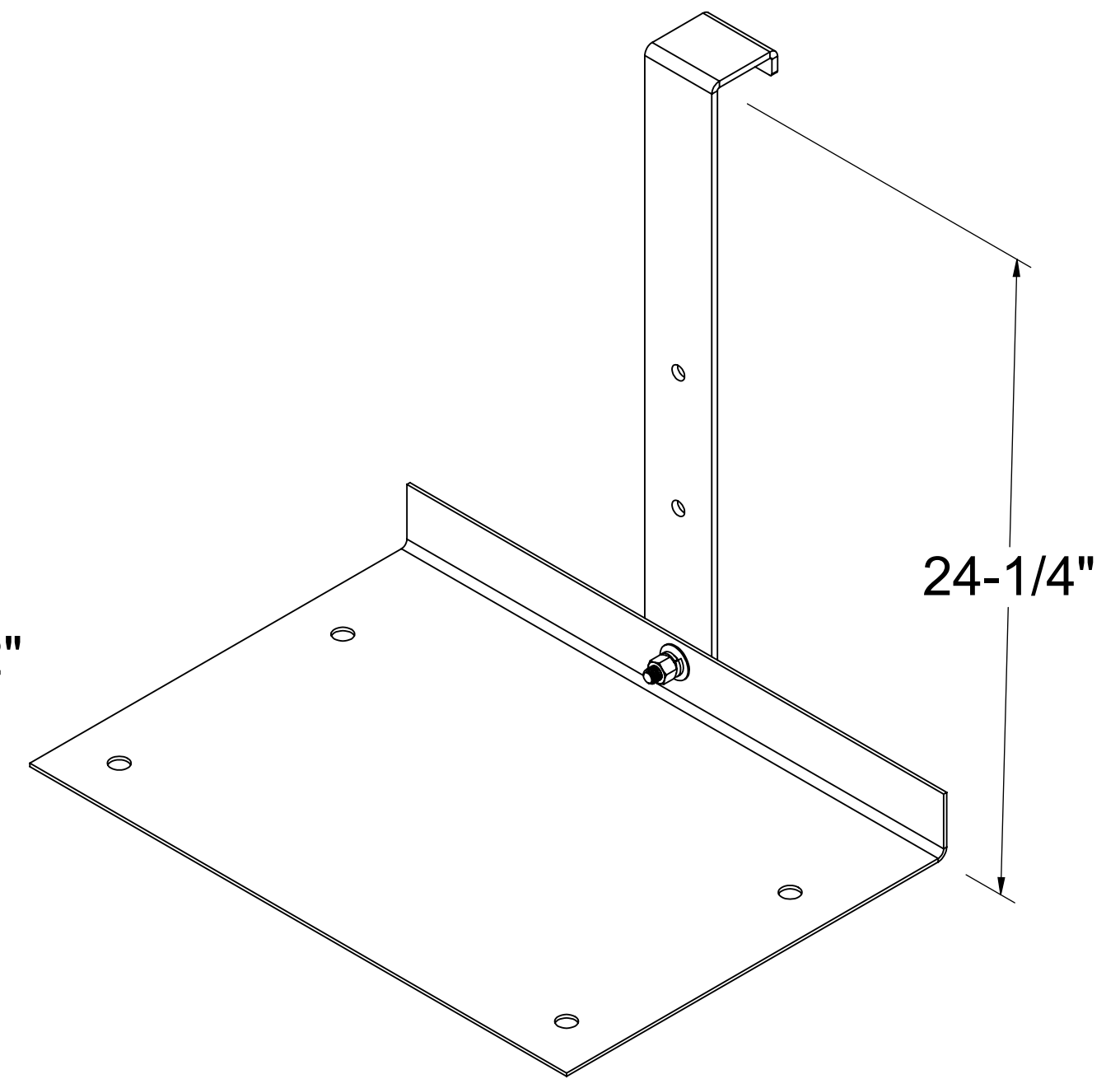
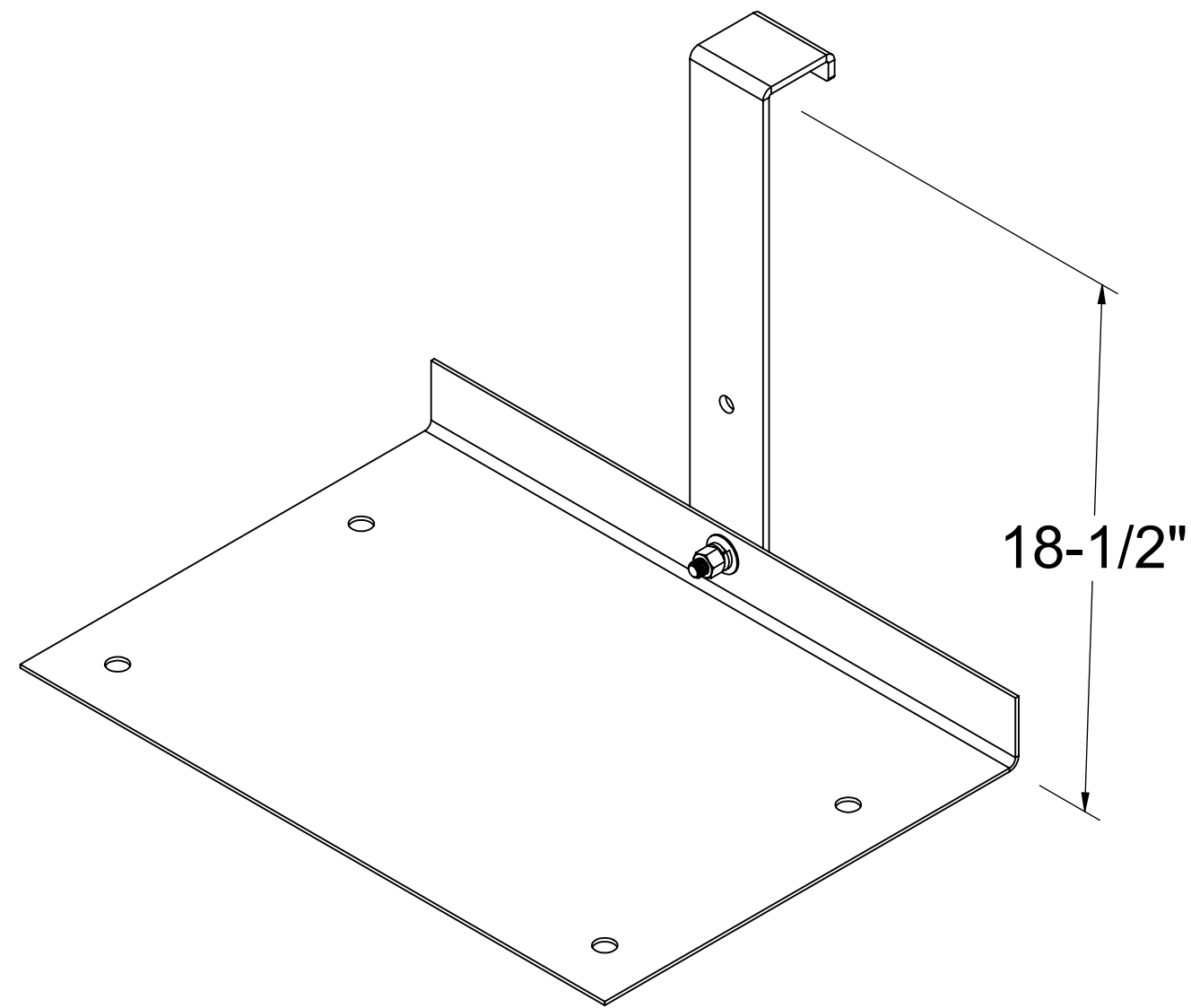
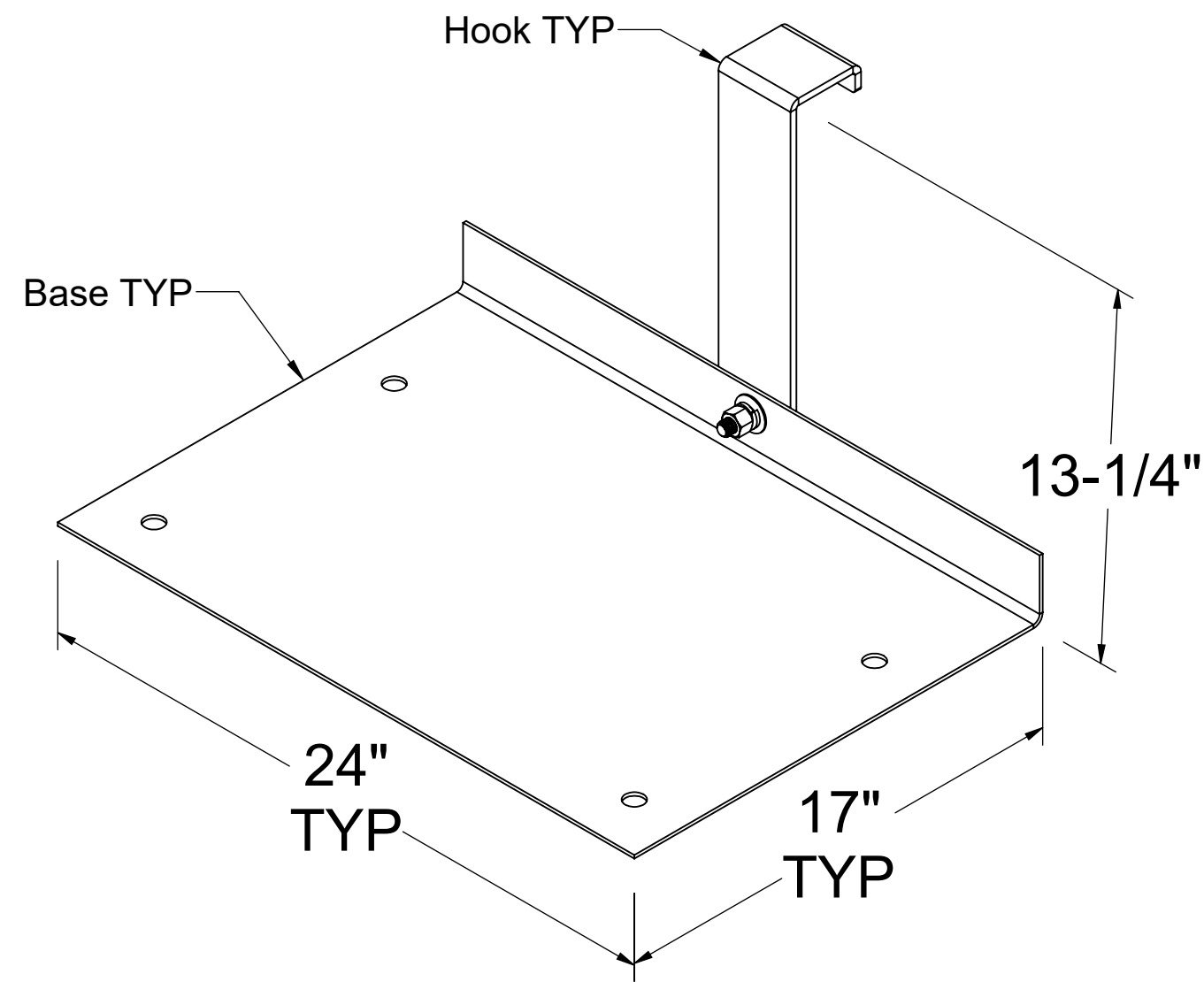


SPECIFICATIONS

1. 11 gauge (304-2B) stainless steel plate for Base.
2. 1/4" x 3" (304-2B) stainless steel plate for Hook.
3. All stainless steel fasteners.
4. Weight: 45 lbs.

*To remove excess hook length, use a disc grinder with a metal cut-off wheel.



COMPATIBLE WITH:
OS-50
PS-50-S
CB-50-S
CB-50-G
CB-50-SFL
LB-50
OCT-50

COMPATIBLE WITH:
OS-75
CB-125-S
CB-125-G
CB-125-SFL
LB-125
OCT-125
FLI-125

COMPATIBLE WITH:
OS-100
PS-275-S
CB-275-S
CB-275-SFL
BB-275
LB-275
OCT-275
SI-UPC-1016
FLI-275

MODEL NUMBER: HDK-2

DESCRIPTION:
HIGH WATER TABLE
HOLD DOWN KIT

DWG BY: ENG **DATE:** 10/4/2023 **REV:** 0

SPECIFICATION SHEET

Striem
Kansas City, KS
Tel: 913-222-1500
orders@striemco.com
www.striemco.com

Made in the U.S.A

