

SPECIFICATIONS

1. 4" Plain End inlet/outlet, 2" Plain End vents standard.
2. Liquid holding capacity: 110 Gallons.
3. Unit weight: 120 lbs.
4. Maximum operating temperature 140°F continuous.

NOTES

1. For gravity drainage applications only.
2. Do not use for pressure applications.
3. Cover placement allows full access to tank for proper maintenance.
4. Diptube is removable to inspect/clean piping.

ENGINEER SPECIFICATION GUIDE

Striem neutralization tank model LB-125 shall be lifetime guaranteed and made in the USA. Tank shall be constructed of polyethylene. Tank shall be manufactured for above- or below-grade installation. Field-adjustable riser system is available as an option to bring manhole cover to grade. Tank liquid holding capacity shall be 110 gallons. Cover shall provide water/gas-tight seal and have a maximum 16,000 lbs. load capacity.

THIRD PARTY STRUCTURAL ANALYSIS

The LB-125 has been structurally analyzed in accordance with the requirements of IBC 2012 and ASCE/SEI 7 for direct burial. The maximum burial depth and backfill material are specified in our installation instructions. The structural design has been reviewed and sealed by a professional engineer registered in the state of California. A sealed structural analysis report is available upon request.

OPTIONS

Connection Options (Plain End Only)

Inlet / Outlet

- 6"

Riser Options

From Factory: Up to 5"

- Up to 24": **SR24**
- Up to 39": **LR24**
- Up to 43": **SR24 (2)**
- Up to 58": **SR24 + LR24**
- Up to 72": **LR24 (2)**

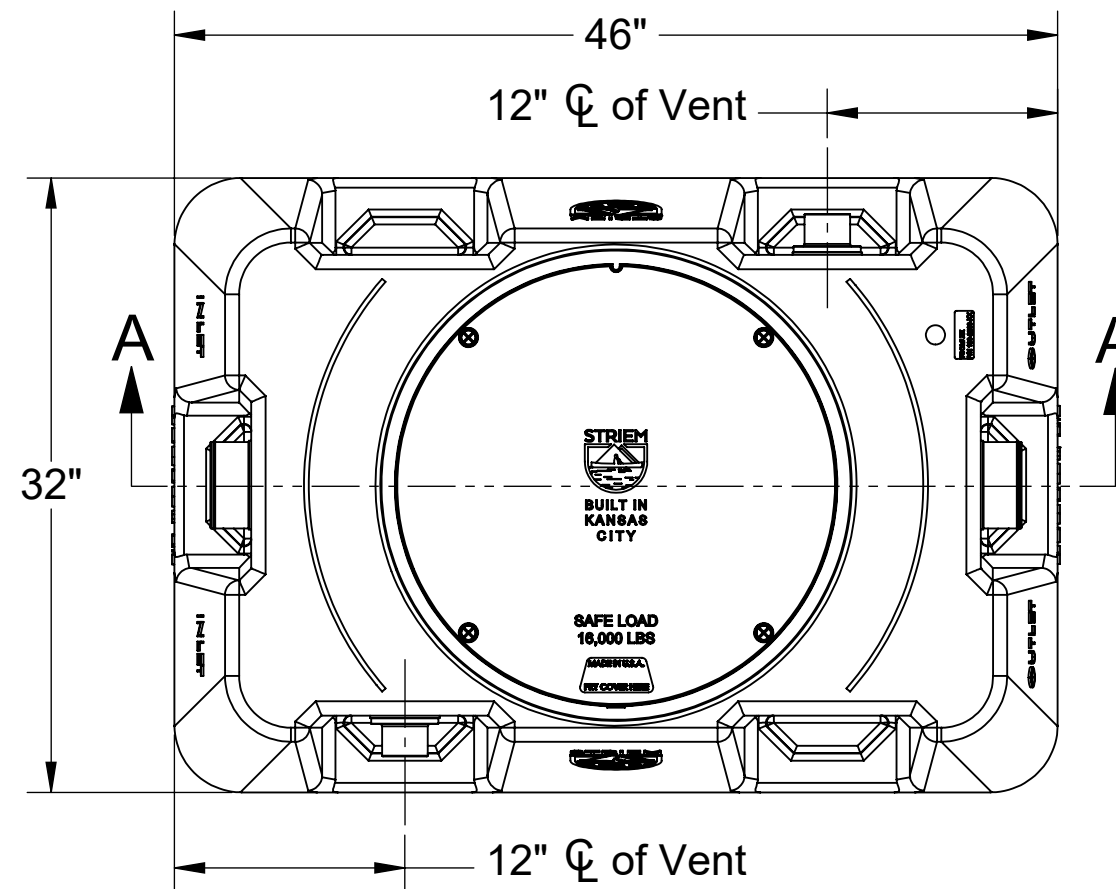
- OR -

- CPRK: 11" - 72"** (See specification for more detail.)

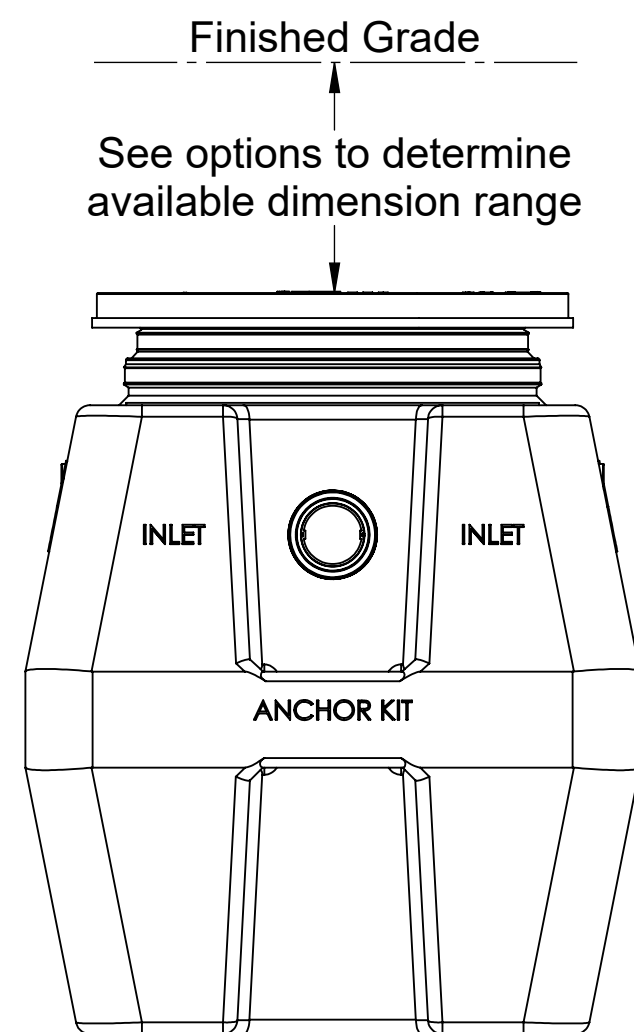
Additional Options

- HDK-2: High Water Table Hold Down Kit**
- CC-1: Command Center pH Monitoring Package***
 - SPK-A: Above-Grade Sensor Placement Kit**
 - SPK-B: Below-Grade Sensor Placement Kit**
- Limestone: 90%+ Calcium Carbonate (1,550 lbs.)**

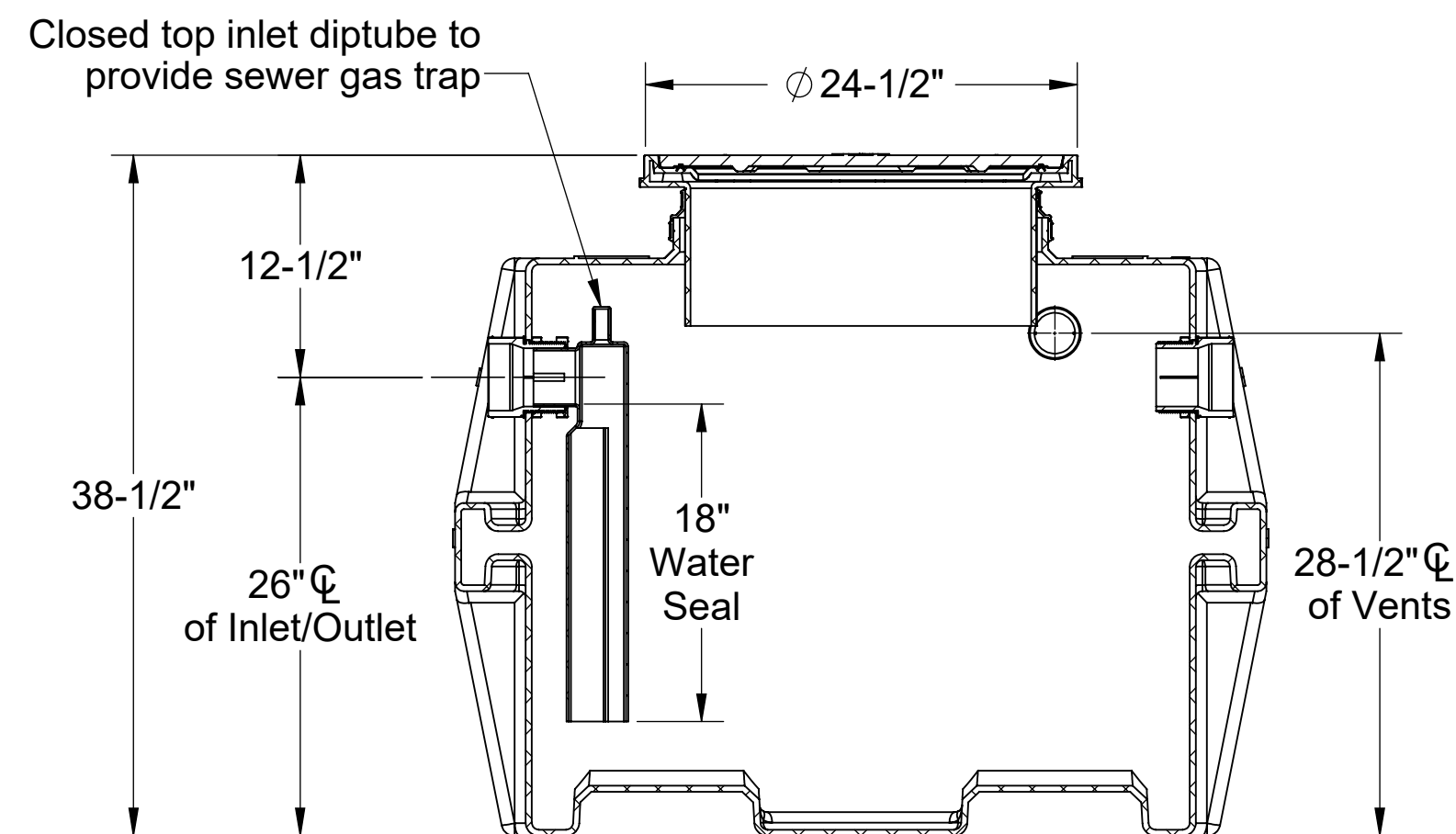
*Required with CC-1



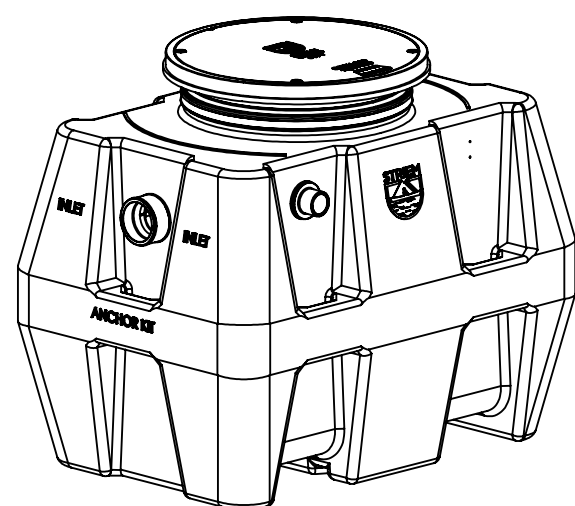
TOP VIEW



END VIEW



SECTION A-A



PROPRIETARY AND CONFIDENTIAL
THE INFORMATION CONTAINED IN THIS DRAWING IS THE SOLE PROPERTY OF STRIEM, LLC. ANY REPRODUCTION IN PART OR AS A WHOLE WITHOUT THE WRITTEN PERMISSION OF STRIEM, LLC. IS PROHIBITED.

MODEL NUMBER:	LB-125
DESCRIPTION:	LAB BASIN™ POLYETHYLENE NEUTRALIZATION TANK
DWG BY:	ENG
DATE:	4/19/2023
REV:	0

SPECIFICATION SHEET

Striem
Kansas City, KS
Tel: 913-222-1500
orders@striemco.com
www.striemco.com

Made in the U.S.A

