



LB-15

NEUTRALIZATION TANK

Installation, Operation, & Maintenance Guide

LB-15

NEUTRALIZATION TANK

Installation, Operation, & Maintenance Guide

OVERVIEW

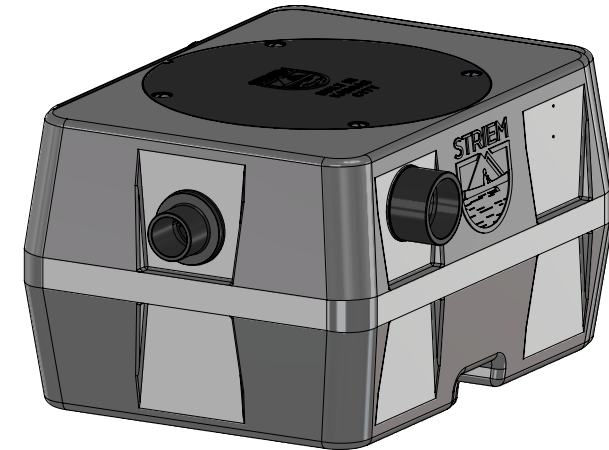
Striem LB series model LB-15 is a 15 gallon polyethylene neutralization tank intended for above- or below-grade installation. It is designed to bring wastewater to an acceptable state for local wastewater treatment facilities through neutralization or dilution.

OPERATION

Low pH wastewater enters through the inlet connection. As the wastewater moves through the unit, its pH is raised through dilution with neutral water, or neutralization through limestone media.

LIFETIME WARRANTY

Our products are designed to last the lifetime of the plumbing system in which they are installed. If they don't, we will repair or replace them at no charge. Product damage due to normal wear and tear may be repaired or replaced at a reasonable charge. See website for full details.



LB-15
LB SERIES
15 GALLON
NEUTRALIZATION TANK



WARNING



DO NOT AIR PRESSURE TEST UNIT!

DOING SO MAY RESULT IN PROPERTY DAMAGE,
SERIOUS BODILY INJURY, OR DEATH!

Refer to Installation Instructions for correct testing procedure.

LEAK/SEAL TESTING

Do not air test unit or Teleglide Riser system! Doing so may result in property damage, personal injury or death.

To perform a leak/seal test on the base unit, cap/plug all plumbing connections, remove the cover, and fill the unit with water just above the highest connection. Inspect unit and connections for leaks. Check water level at specific time intervals per local code.

MAINTENANCE

- 1 Always take proper care to ensure a safe and healthy environment while maintaining the neutralization tank.
- 2 Remove cover.
- 3 Contact a professional pumper contractor to remove all contents of the neutralization tank, including wastewater, sludge, sediment, and limestone (if used).
- 4 Clean the drain lines and diptubes thoroughly of all debris.
- 5 Replace limestone, if used. A qualified professional should be responsible for the analysis of effluent, inspection, maintenance, and replacement of neutralizing agent.
- 6 Inspect cover gasket for wear and tear and reinsert cover.
- 7 Dispose of contents per local code.

MAINTENANCE FREQUENCY

Maintenance frequency depends on the quality and contents of the chemical waste passing through the system. Striem recommends inspecting the tank every one to three months until a proper maintenance schedule can be established.

Debris and sludge must be cleaned out periodically to allow the free flow of wastewater through the unit. If it is determined that the system will encounter solids, specify a Striem Solids Interceptor.

TROUBLESHOOTING TIPS

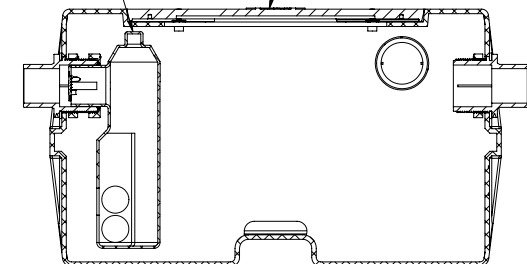


Slower than usual drainage may indicate a blockage and a need to maintain the neutralization tank. Ensure the drain lines and diptubes are cleared of all debris in the presence of slow drainage.

Effluent flow of high pH may indicate that the LB-15 neutralization agent has been depleted. In the presence of high pH effluent, maintain the unit immediately.

Closed Top Inlet Diptube

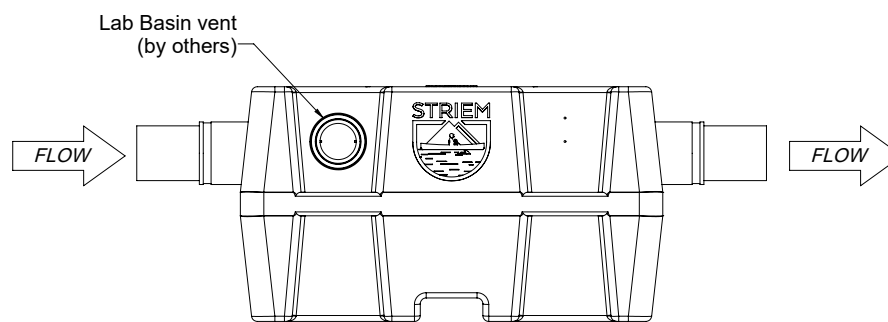
Cover



ABOVE GRADE INSTALLATION INSTRUCTIONS

UNIT INSTALLATION

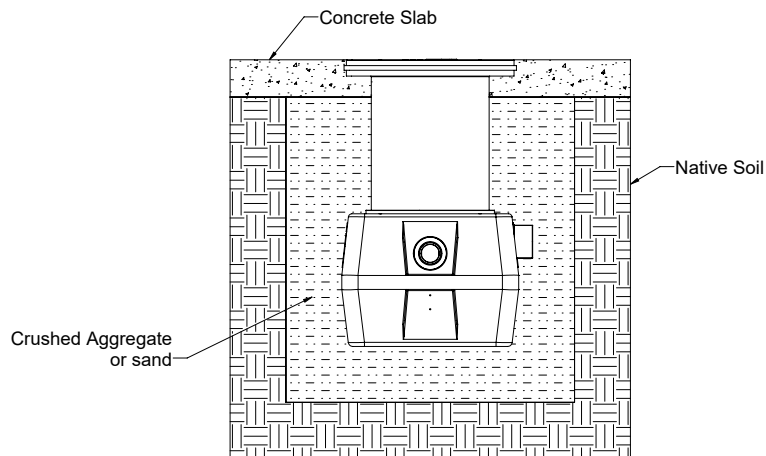
- 1 Connect waste piping to unit.
- 2 If using limestone, add it to the empty tank.
- 3 Fill LB-15 with water.
- 4 Ensure cover is properly installed.



BELOW GRADE INSTALLATION INSTRUCTIONS

EXCAVATION

- 1 Surrounding soil must be undisturbed soil or well compacted engineering fill.
- 2 Width and length of excavation shall be minimum 12" greater than the tank on all sides.
- 3 Depth of excavation shall be 6" deeper than tank bottom.

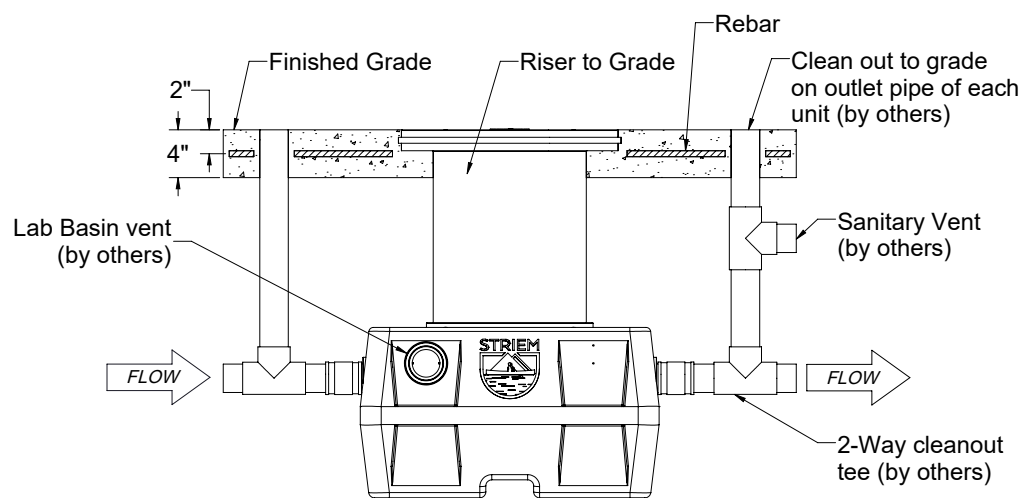


UNIT INSTALLATION

- 1 LB-15 cannot be installed flush with floor. SR-16 riser must be used for below grade installations with a minimum burial depth of 4".
- 2 Lower and center the unit into the excavated hole.
- 3 The water table must not exceed the tank height prior to the addition of riser.
- 4 Ensure the unit cover is level with finished grade.
- 5 If using limestone, add it to the empty tank.
- 6 Fill LB-15 with water before backfilling to stabilize the unit and prevent float out during backfilling.

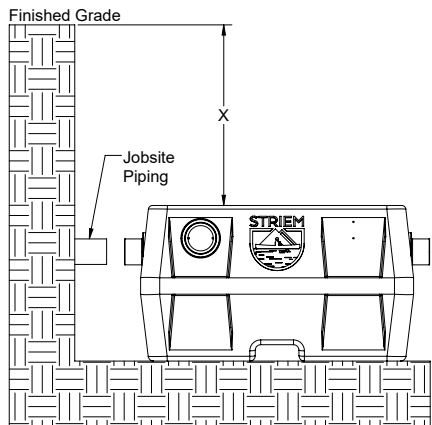
BACKFILLING & FINISHED CONCRETE SLAB

- 1 Preparation of sub grade per geotech recommendations.
- 2 Stabilize and compact sub grade to 95% proctor.
- 3 Before backfilling and pouring of slab, secure cover and risers (if used) to the unit.
- 4 Place 6" aggregate base under slab. Aggregate should be 3/4" size rock, or sand, with no fines.
- 5 Backfill using crushed aggregate material approximately 3/4" size rock, or sand, with no fines.
- 6 Thickness of concrete around cover to be determined by specifying engineer.
- 7 Concrete to be 28 day compressive strength to 4000 PSI with $6 \pm 1\%$ air entrainment.
- 8 NO. 4 rebar (1/2") grade 60 steel per ASTM A615: connected with tie wire.
- 9 Rebar to be 2-1/2" from edge of concrete.

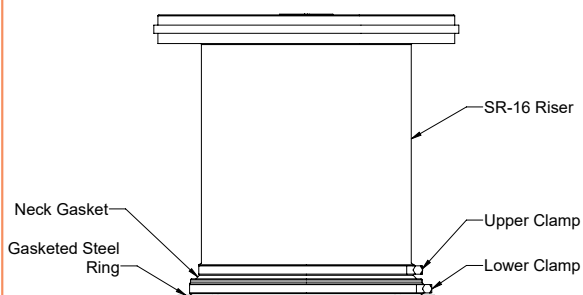


SR-16 TELEGLIDE RISER SYSTEM | INSTALLATION INSTRUCTIONS

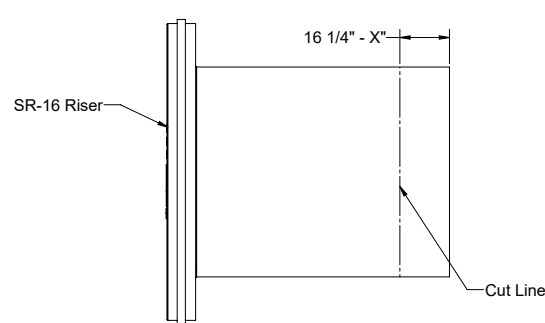
- 1
 - Place unit so that the pipe connections line up with the jobsite piping.
 - Measure dimension "X" from cover to finished grade to determine riser height needed.



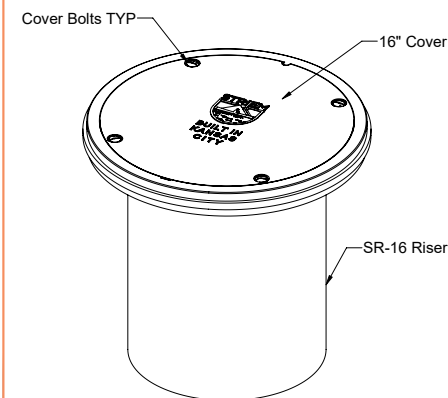
- 2
 - Loosen upper clamp with 3/8" deep well socket.
 - Remove SR-16 riser from neck gasket.



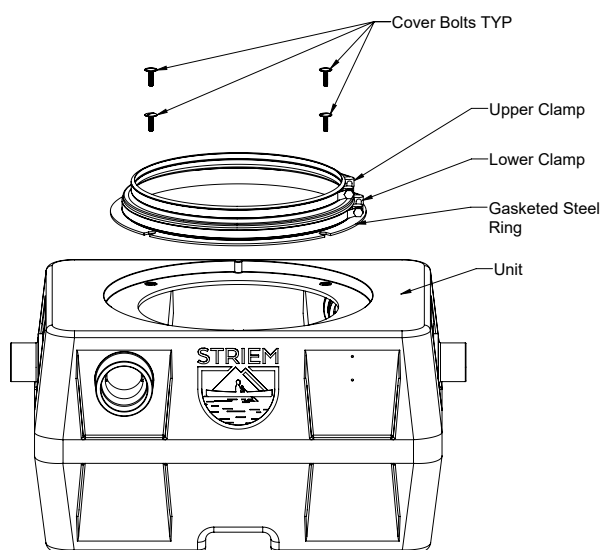
- 3
 - Measure the riser height needed, 16 1/4" - X" down the sidewall of the riser.
 - Mark the location.
 - Extend the mark made around the circumference of the riser.
 - Cut along the line with jigsaw, circular saw, or reciprocating saw.
 - Remove debris from cut edge with scraper, utility knife, or gloves.



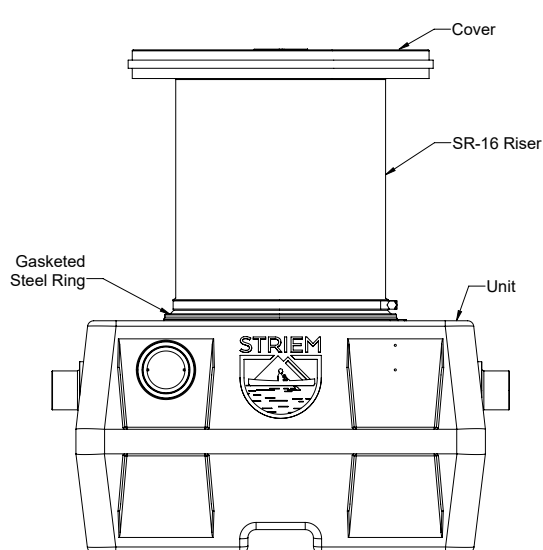
- 4
 - Uninstall the cover installed on the unit.
 - Install cover on SR-16 with cover bolts (included with tank)
 - Tighten cover bolts to 8 lbs. of torque.



- 5
 - Center gasketed steel ring on manway.
 - Install gasketed steel ring, with attached neck gasket and clamps, onto tank using SR-16 bolts and threaded inserts on tank body.
 - Tighten SR-16 bolts to 8 lbs. of torque.



- 6
 - Insert SR-16 riser through neck gasket until it stops and is level.
 - Tighten all clamps to 14 lbs. of torque.



- 7
 - Ensure cover is level with finished grade.
 - Proceed with unit installation.

