

SPECIFICATIONS

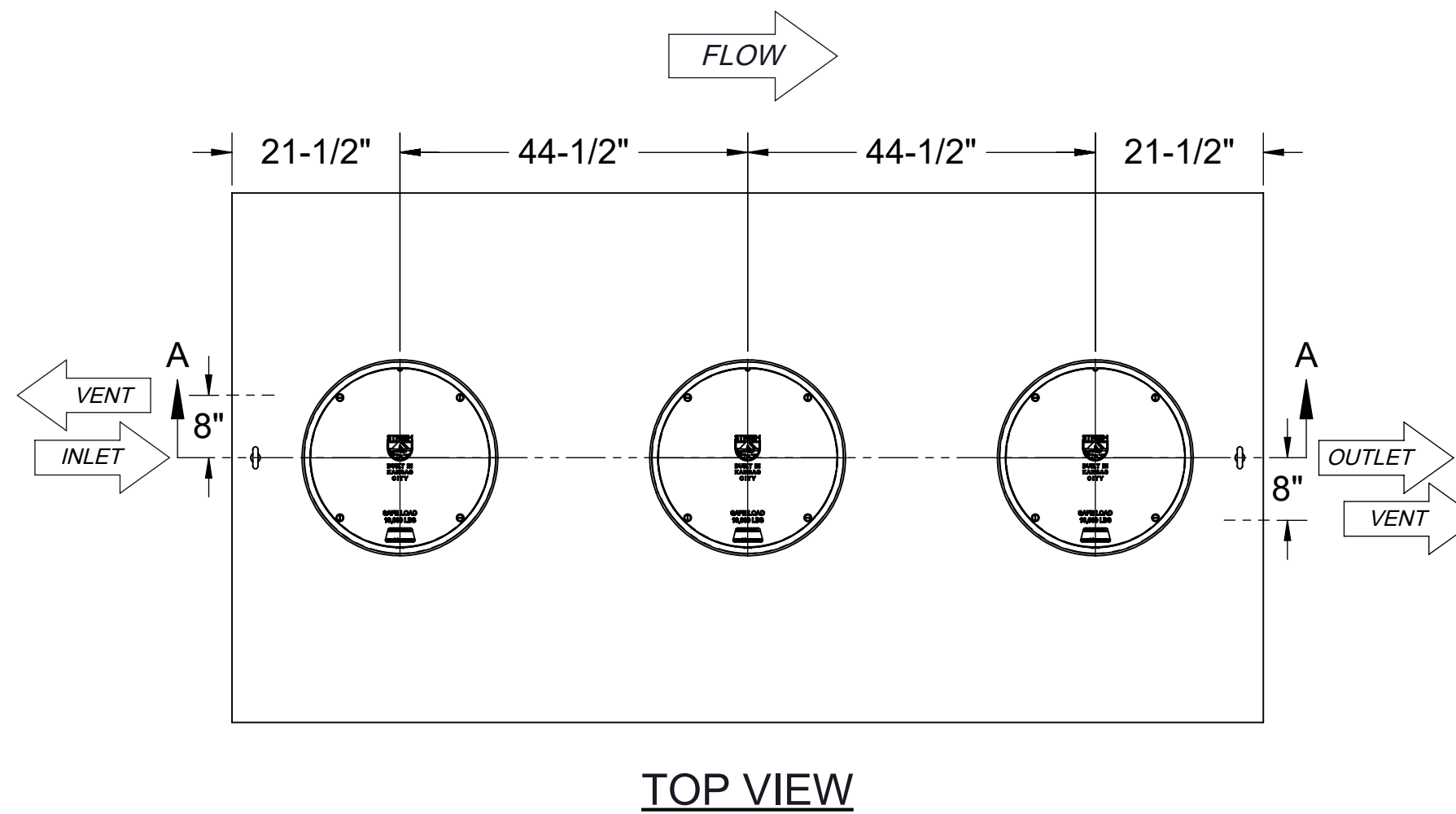
1. 3" Plain end vents standard.
2. Liquid capacity: 1500 gallons (201 cu. ft.).
3. Unit weight: 1536 lbs.
4. Maximum operating temperature 140 °F continuous.
5. Highway rated cover: 16,000 lb. load rating.

NOTES

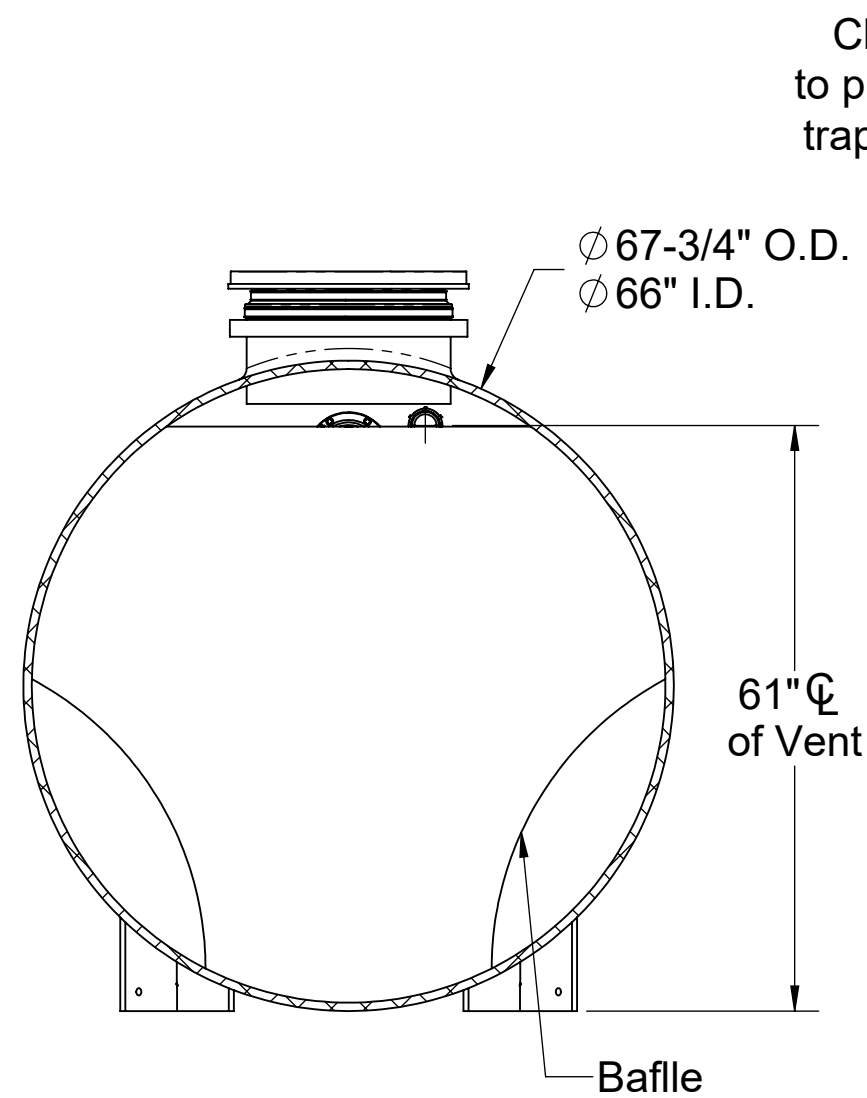
1. For gravity drainage applications only. Do not use for pressure applications.
2. Cover placement allows full access to tank for proper maintenance.
3. Lifting lug set for easy install.
4. For below grade installation only.

ENGINEER SPECIFICATION GUIDE

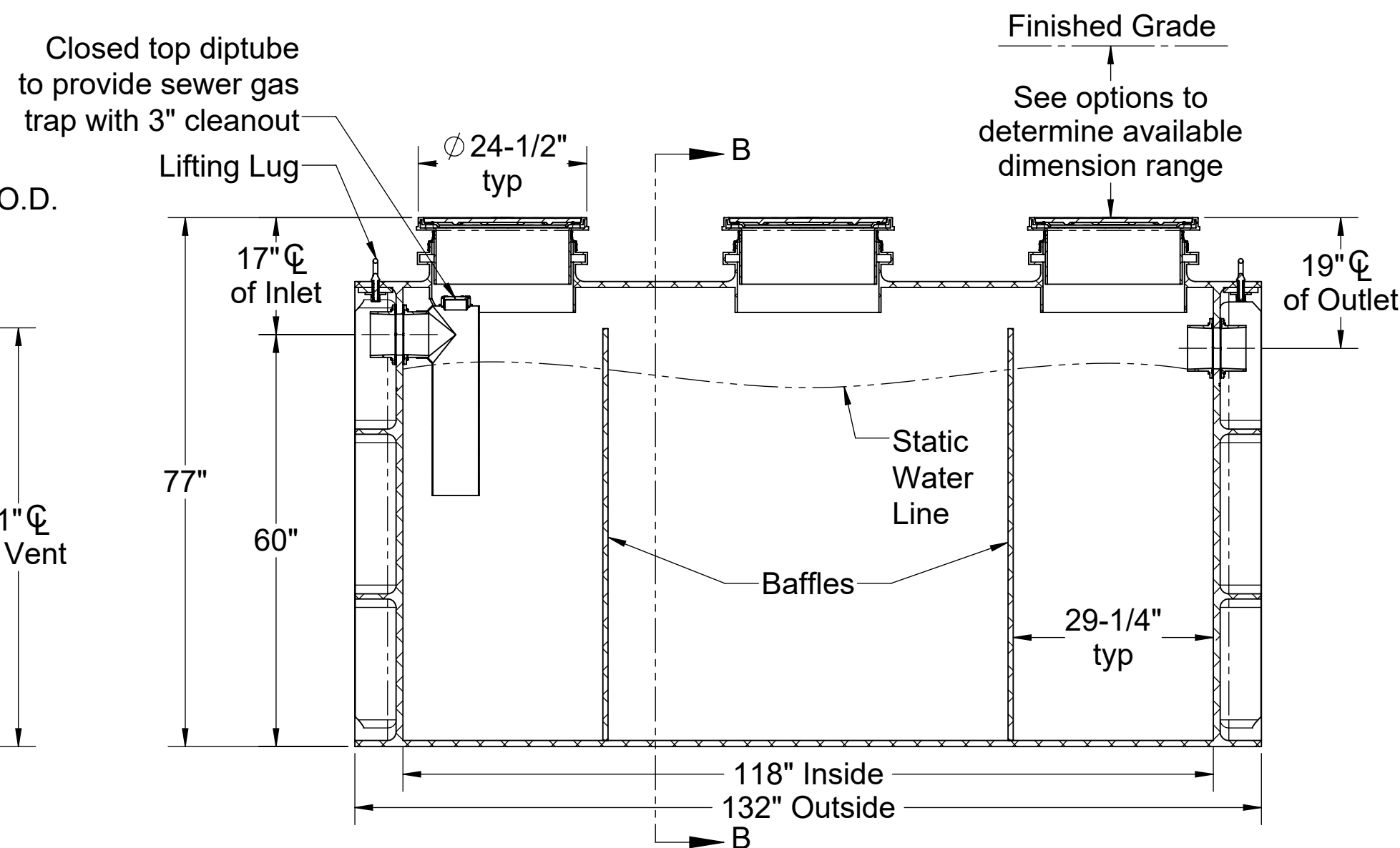
Striem Lab Basin™ neutralization tank model LB-1500 shall be lifetime guaranteed and Made in USA of High Density Polyethylene with minimum 7/8" uniform wall thickness. Tank shall be furnished with inlet, outlet, vent, cover, bracing, riser system, monitoring equipment and other modifications per jobsite-specific conditions and per engineer's specification.



TOP VIEW



SECTION B-B



SECTION A-A

Directions: Complete steps 1-4 and submit signed with purchase order.

1. Choose Connection Types.

- | | |
|--|--|
| Inlet / Outlet | Size |
| <input type="checkbox"/> Plain End | <input type="checkbox"/> 4" |
| <input type="checkbox"/> Female Thread | <input type="checkbox"/> 6" (Plain End Only) |
| | <input type="checkbox"/> 8" (Plain End Only) |

2. Diptube Location.

- Diptube at:** Inlet Outlet Both (Ohio Code)
(Provided on inlet if not specified)

3. Riser Options.

- Included : 0" - 5"**
- SR24 (3):** 5" - 24"
 - LR24 (3):** 24" - 39"
 - SR24 (6):** 39" - 43"
 - SR24 (3) + LR24 (3):** 43" - 58"
 - LR24 (6):** 58" - 72"
 - SR24 (3) + LR24 (6):** 72" - 90"
 - LR24 (9):** 90" - 106"
- OR -**
- CPRK (3):** 11" - 106"
 - Corrugated Pipe Riser Kit.
 - Used in substitute of SR/LR riser options.
 - 18" diameter corrugated pipe by others.
 - See CPRK specification for more detail.

4. Additional Options.

- CC-1:** Command Center pH Monitoring Package
- SPK-A:** Above Grade Sensor Placement Kit*
- SPK-B:** Below Grade Sensor Placement Kit*
- HDK-6:** High Water Table Hold Down Kit
- 90%+ Calcium Carbonate Limestone (19,500 lbs.)

*Required with CC-1

Signature of Approval: _____
 Company: _____
 Date of Approval: _____
 Specifying Engineer: _____
 Engineering Firm: _____

PO IS NON-CANCELABLE
 ORDER IS NON-RETURNABLE

MODEL NUMBER: LB-1500	
DESCRIPTION: POLYETHYLENE NEUTRALIZATION TANK 1500 GALLON CAPACITY	
DWG BY: MJ	DATE: 2/2/22
REV: 0	ECO:

SPECIFICATION SHEET

Striem
 3100 Brinkerhoff
 Kansas City, KS 66115
 Tel: 913-222-1500
 orders@striemco.com
 www.striemco.com



Made in the U.S.A

THE INFORMATION CONTAINED IN THIS DRAWING IS THE SOLE PROPERTY OF STRIEM, LLC. ANY REPRODUCTION IN PART OR AS A WHOLE WITHOUT THE WRITTEN PERMISSION OF STRIEM, LLC. IS PROHIBITED.