

**SPECIFICATIONS**

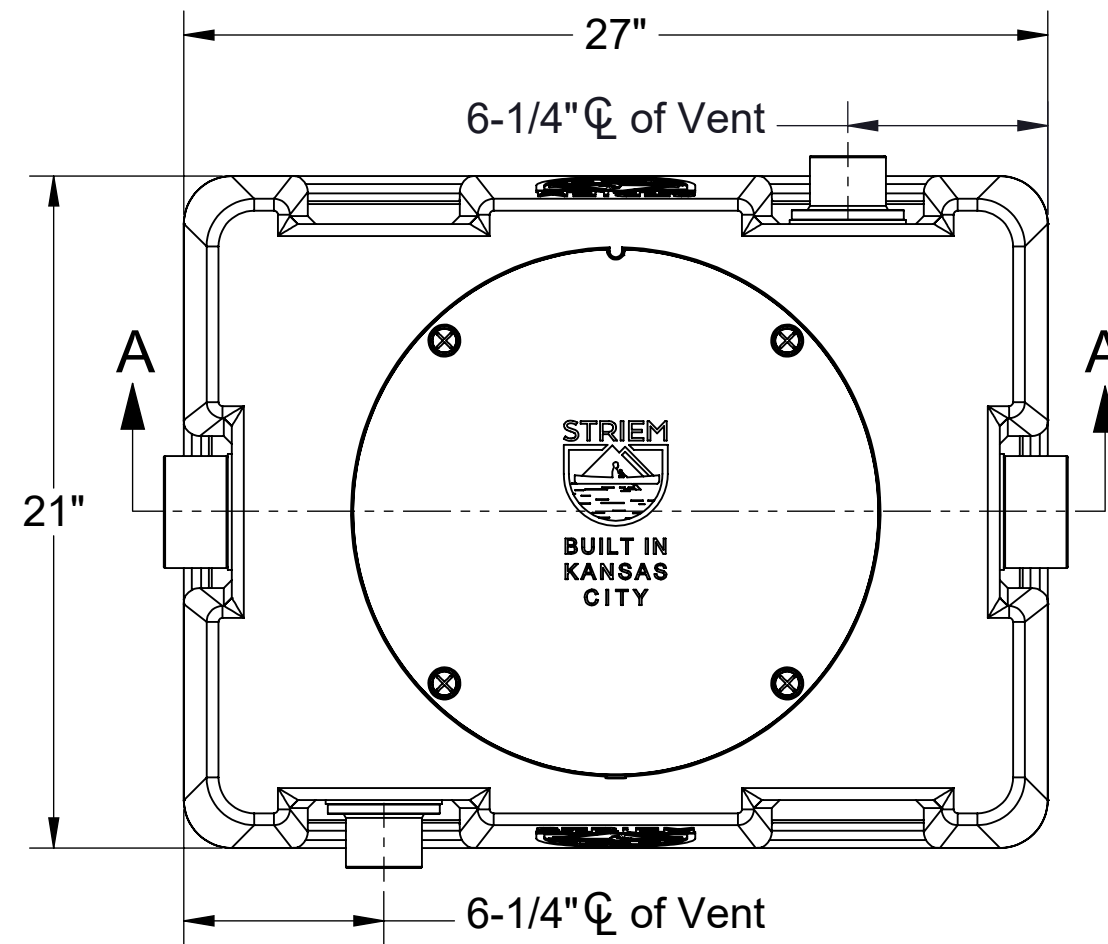
1. 3" Plain End inlet/outlet, 2" Plain End vents standard.
2. Liquid holding capacity: 21 Gallons.
3. Unit weight: 32 lbs.
4. Maximum operating temperature 140°F continuous.

**NOTES**

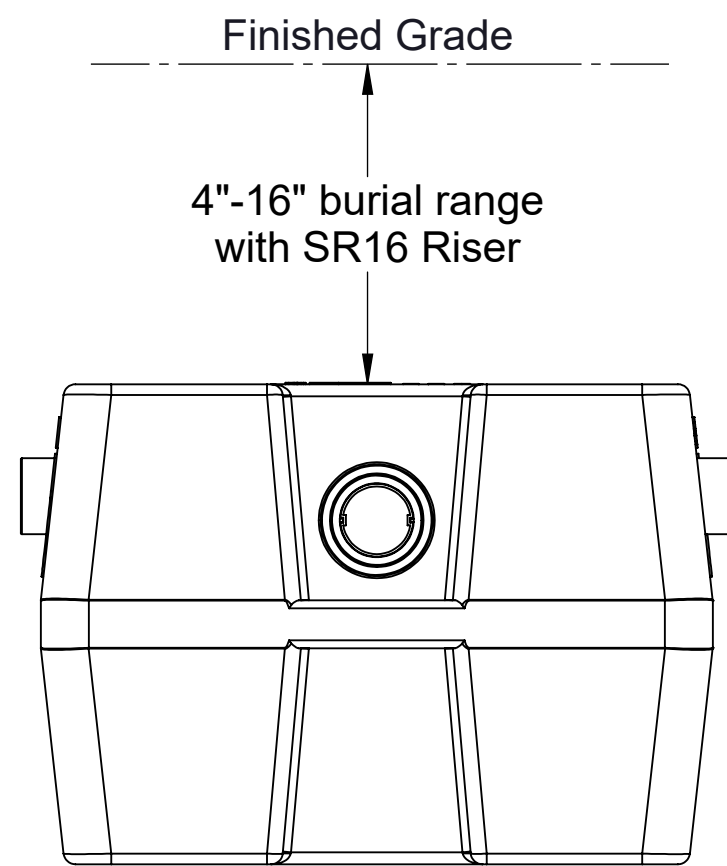
1. For gravity drainage applications only.
2. Do not use for pressure applications.
3. Cover placement allows full access to tank for proper maintenance.
4. Diptube is removable to inspect/clean piping.

**ENGINEER SPECIFICATION GUIDE**

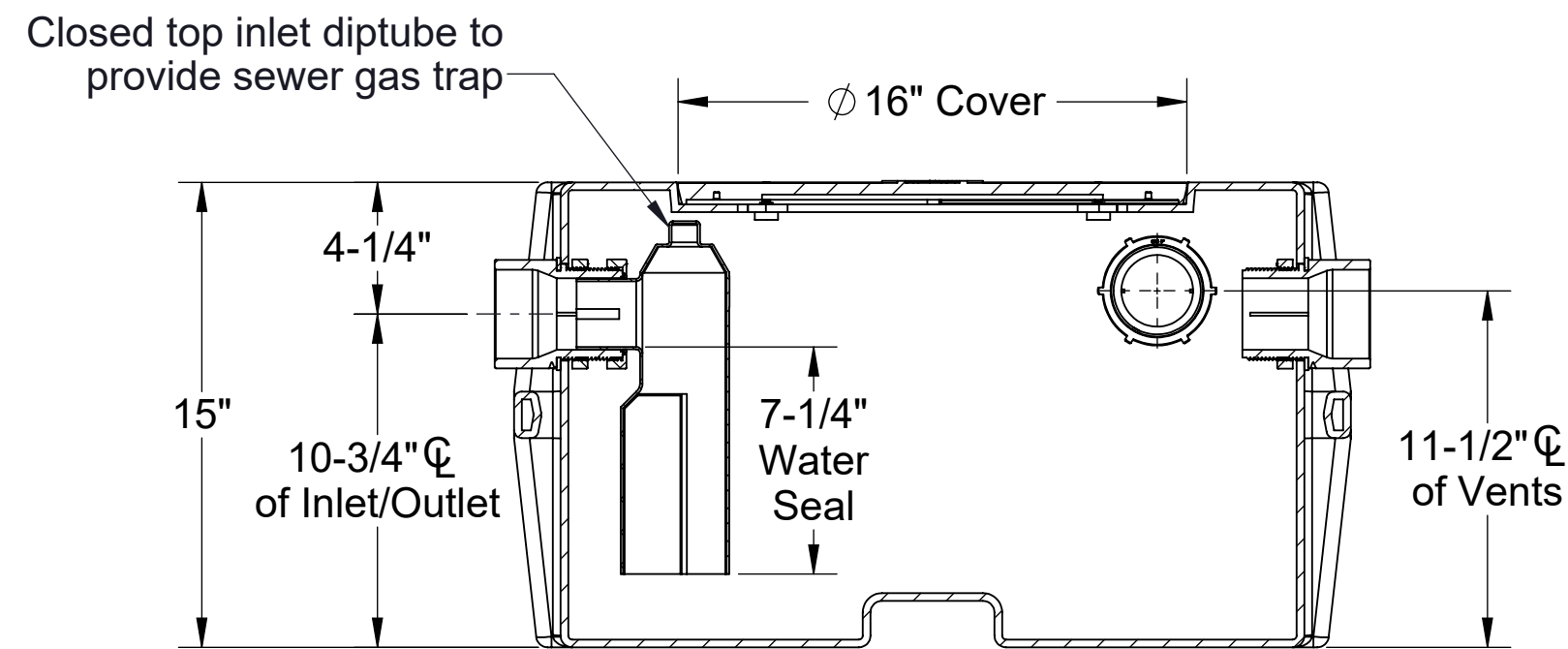
Striem neutralization tank model LB-25 shall be lifetime guaranteed and made in the USA. Tank shall be constructed of polyethylene. Tank shall be manufactured for above- or below-grade installation. Field-adjustable riser system is available as an option to bring manhole cover to grade. Tank liquid holding capacity shall be 21 gallons. Cover shall provide water/gas-tight seal and have a maximum 450 lbs. load capacity when unit is installed above-grade, and 2,500 lbs. when buried with SR16 Riser.



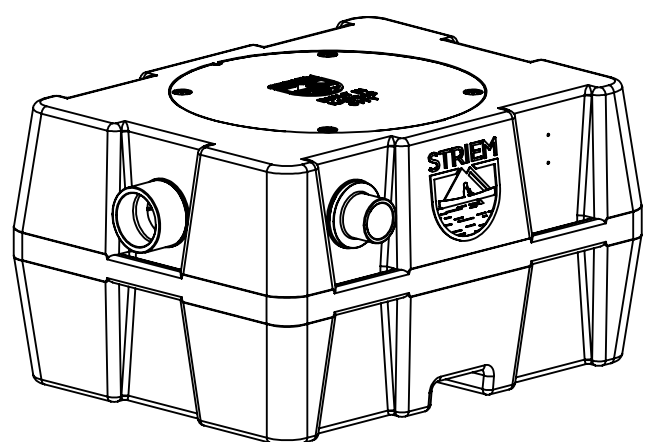
**TOP VIEW**



**END VIEW**



**SECTION A-A**



**PROPRIETARY AND CONFIDENTIAL**  
 THE INFORMATION CONTAINED IN THIS DRAWING IS THE SOLE PROPERTY OF STRIEM, LLC.  
 ANY REPRODUCTION IN PART OR AS A WHOLE WITHOUT THE WRITTEN PERMISSION OF STRIEM, LLC. IS PROHIBITED.

**OPTIONS**

**Connection Options (Plain End Only)**

**Inlet / Outlet**

2"

**Additional Options**

- SR16 Riser:** 4"-16" Burial Range
- CC-1:** Command Center pH Monitoring Package
  - SPK-A:** Above-Grade Sensor Placement Kit\*
  - SPK-B:** Below-Grade Sensor Placement Kit\*
- Limestone:** 90%+ Calcium Carbonate (300 lbs.)

\*Required with CC-1

**SPECIFICATION SHEET**

**MODEL NUMBER:** LB-25

**DESCRIPTION:**  
 LAB BASIN™  
 POLYETHYLENE NEUTRALIZATION TANK

Striem  
 Kansas City, KS  
 Tel: 913-222-1500  
 orders@striemco.com  
 www.striemco.com

Made in the U.S.A



**DWG BY:** ENG    **DATE:** 4/19/2023    **REV:** 0