

SPECIFICATIONS

1. 4" Plain End inlet/outlet, 2" Plain End vents standard.
2. Liquid holding capacity: 250 Gallons.
3. Unit weight: 225 lbs.
4. Maximum operating temperature 140 °F continuous.

NOTES

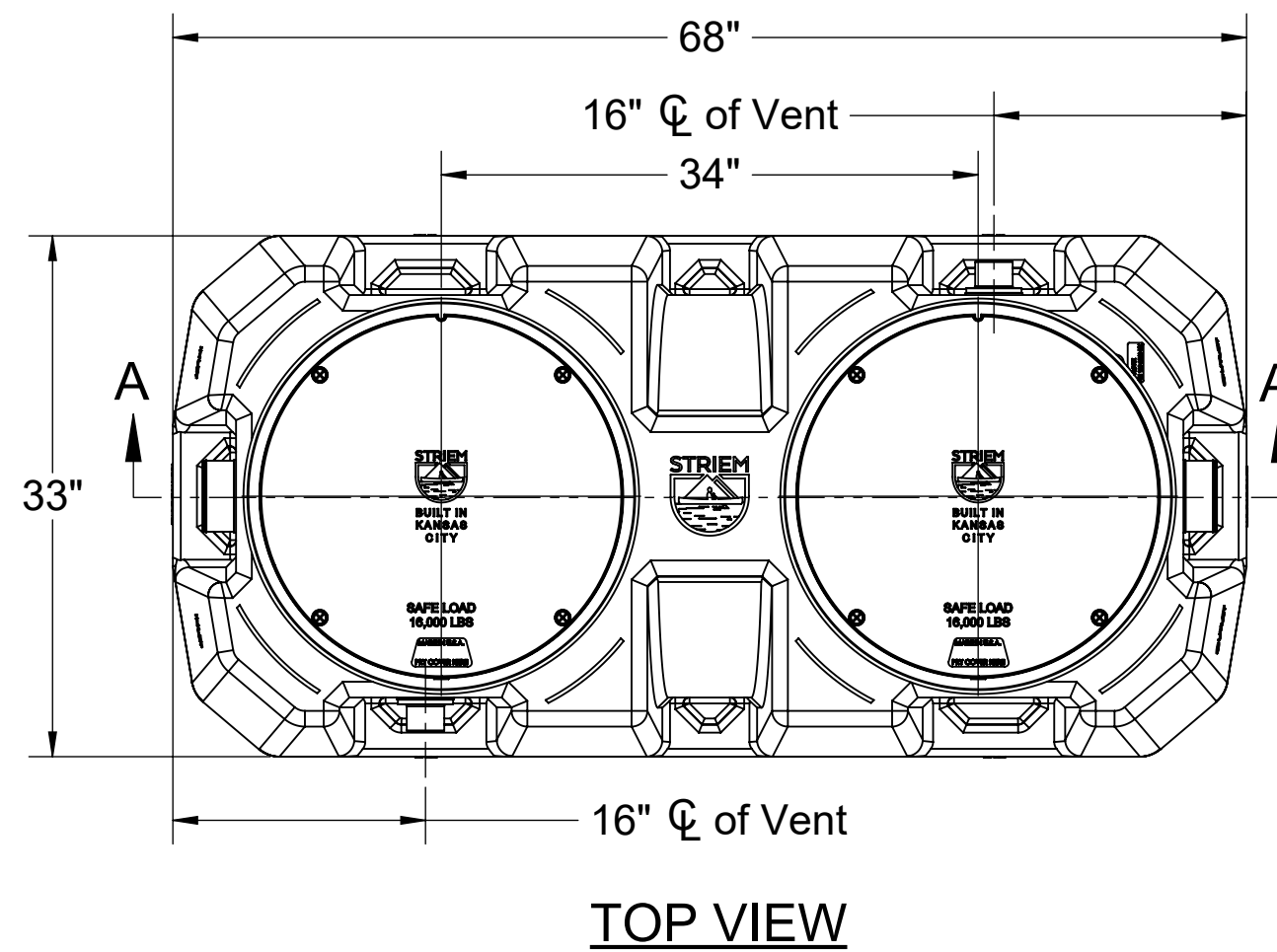
1. For gravity drainage applications only.
2. Do not use for pressure applications.
3. Cover placement allows full access to tank for proper maintenance.
4. Diptube is removable to inspect/clean piping.

ENGINEER SPECIFICATION GUIDE

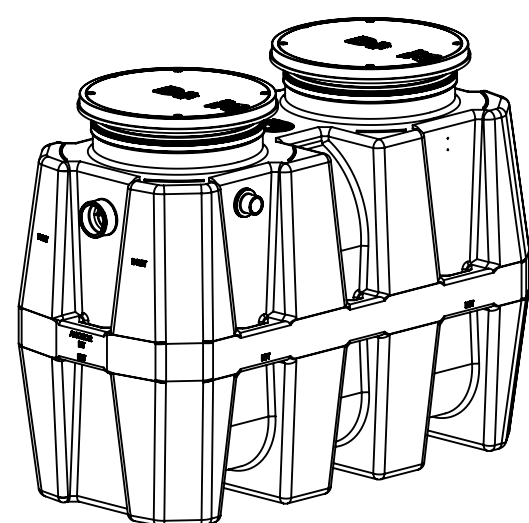
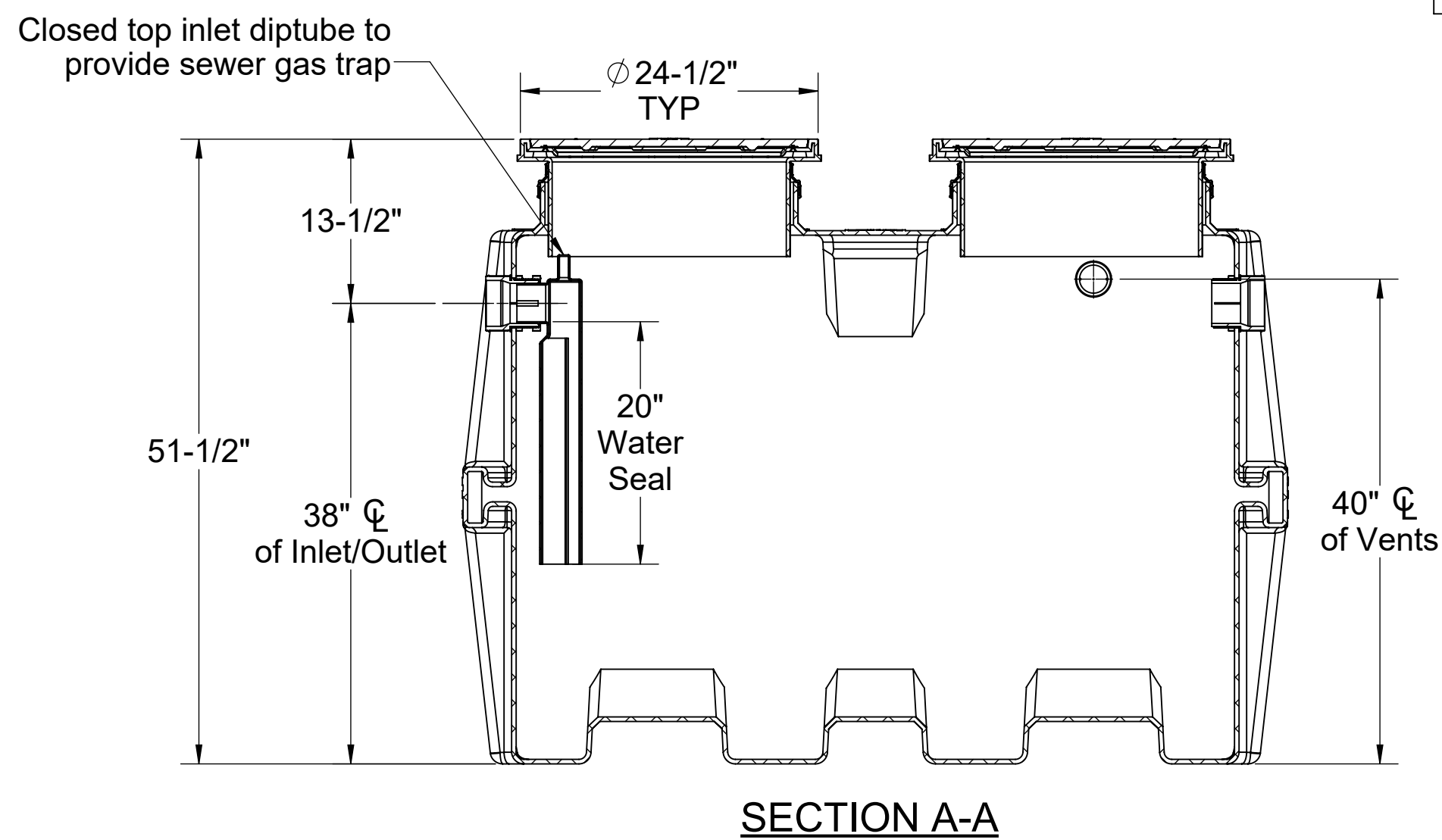
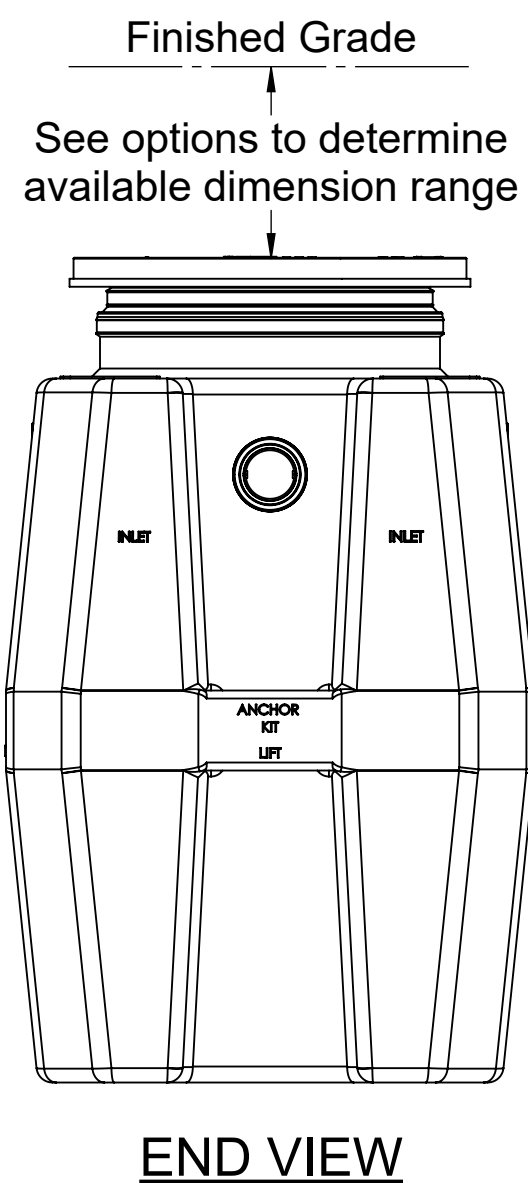
Striem neutralization tank model LB-275 shall be lifetime guaranteed and made in the USA. Tank shall be constructed of polyethylene. Tank shall be manufactured for above- or below-grade installation. Field-adjustable riser system is available as an option to bring manhole covers to grade. Tank liquid holding capacity shall be 250 gallons. Covers shall provide water/gas-tight seal and have a maximum 16,000 lbs. load capacity.

THIRD PARTY STRUCTURAL ANALYSIS

The LB-275 has been structurally analyzed in accordance with the requirements of IBC 2012 and ASCE/SEI 7 for direct burial. The maximum burial depth and backfill material are specified in our installation instructions. The structural design has been reviewed and sealed by a professional engineer registered in the state of California. A sealed structural analysis report is available upon request.



OPTIONS	
Connection Options (Plain End Only)	
Inlet / Outlet	
<input type="checkbox"/>	4"
<input type="checkbox"/>	6"
Riser Options	
From Factory: Up to 5"	
<input type="checkbox"/>	Up to 24": SR24 (2)
<input type="checkbox"/>	Up to 39": LR24 (2)
<input type="checkbox"/>	Up to 43": SR24 (4)
<input type="checkbox"/>	Up to 58": SR24 (2) + LR24 (2)
<input type="checkbox"/>	Up to 72": LR24 (4)
<input type="checkbox"/>	Up to 90": SR24 (2) + LR24 (4)
- OR -	
<input type="checkbox"/>	CPRK (2): 11" - 90" (See specification for more detail.)
Additional Options	
<input type="checkbox"/>	HDK-2: High Water Table Hold Down Kit
<input type="checkbox"/>	CC-1: Command Center pH Monitoring Package
<input type="checkbox"/>	SPK-A: Above-Grade Sensor Placement Kit*
<input type="checkbox"/>	SPK-B: Below-Grade Sensor Placement Kit*
<input type="checkbox"/>	Limestone: 90%+ Calcium Carbonate (3,150 lbs.)
*Required with CC-1	



PROPRIETARY AND CONFIDENTIAL
THE INFORMATION CONTAINED IN THIS DRAWING IS THE SOLE PROPERTY OF STRIEM, LLC. ANY REPRODUCTION IN PART OR AS A WHOLE WITHOUT THE WRITTEN PERMISSION OF STRIEM, LLC. IS PROHIBITED.

MODEL NUMBER:	LB-275
DESCRIPTION:	LAB BASIN™ POLYETHYLENE NEUTRALIZATION TANK
DWG BY:	ENG
DATE:	3/7/2024
REV:	1

SPECIFICATION SHEET	
<p>Striem Kansas City, KS Tel: 913-222-1500 orders@striemco.com www.striemco.com</p> <p>Made in the U.S.A</p>	