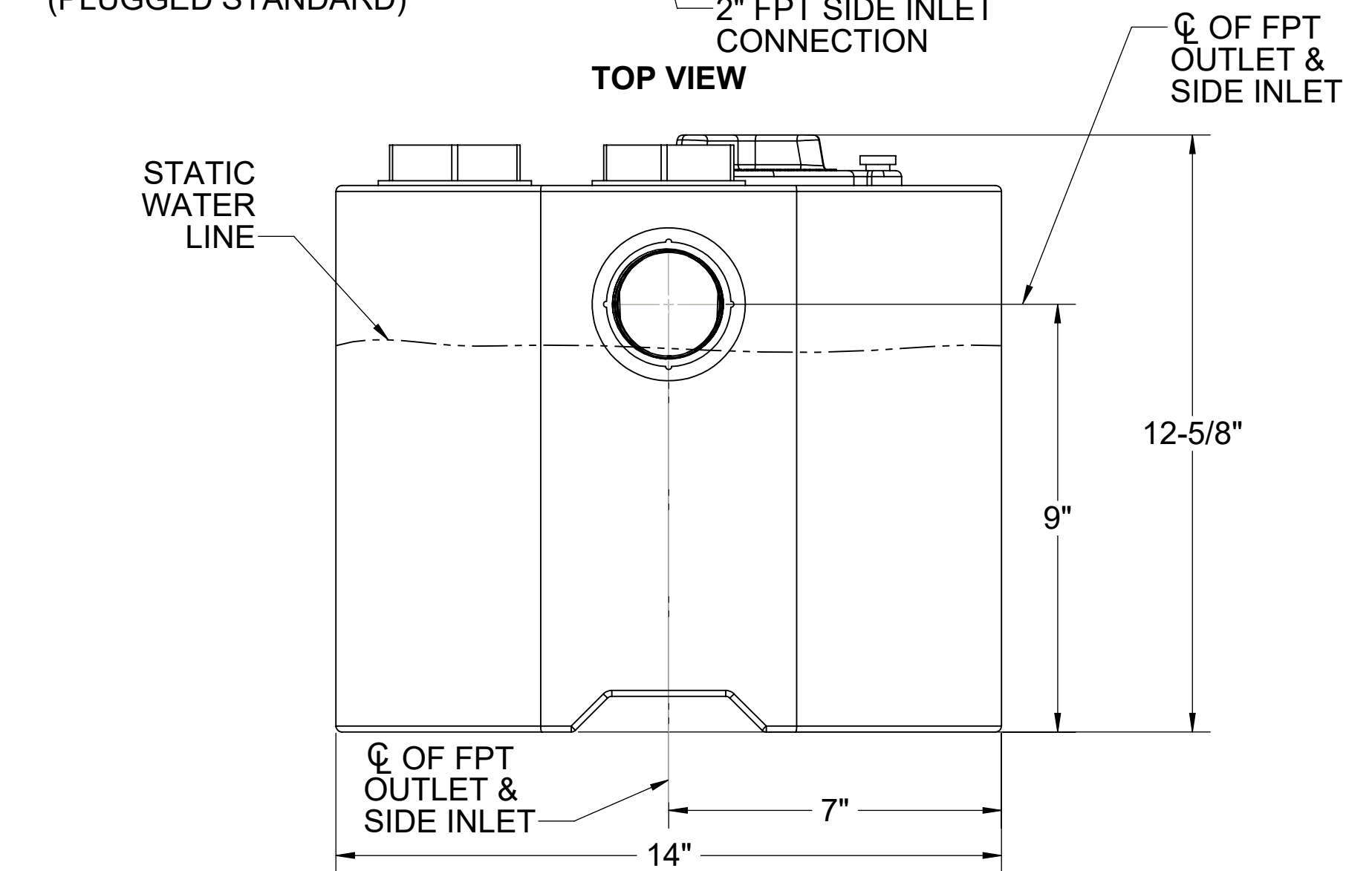
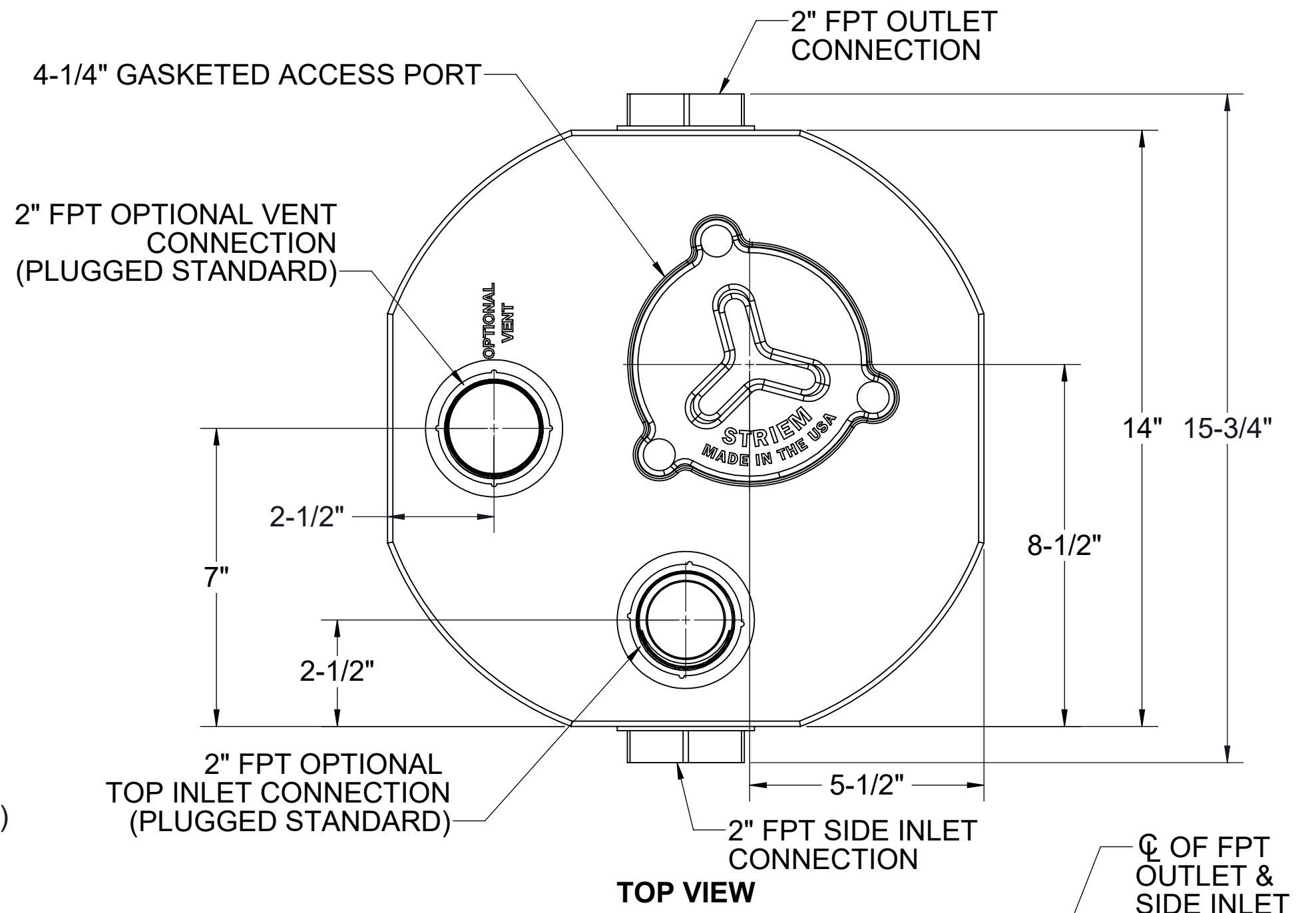
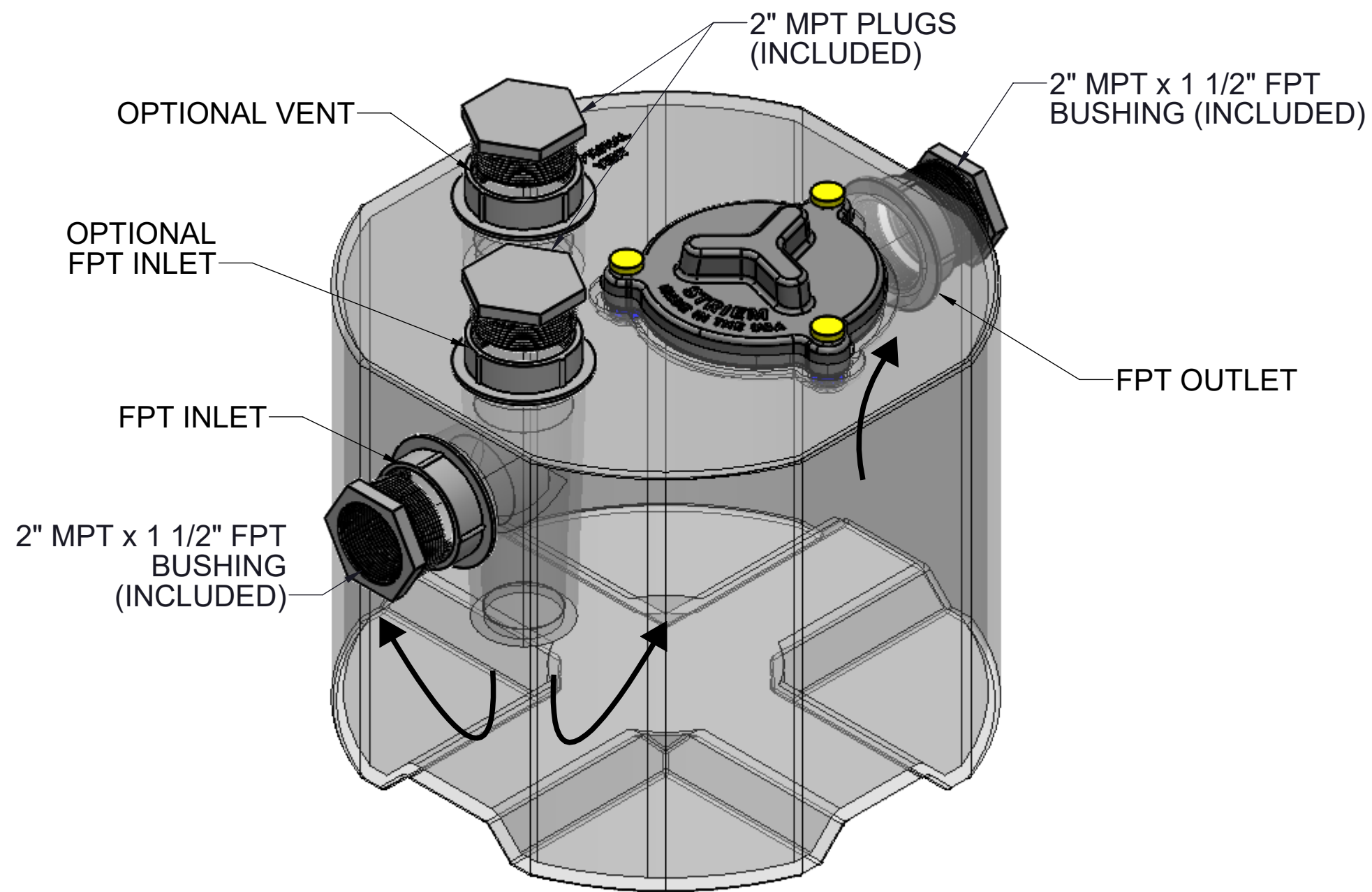


SPECIFICATIONS

1. Seamless polyethylene construction.
2. Liquid capacity: 5.6 Gallons (1-1/2"), 5.3 Gallons (2")
3. 1-1/2" or 2" FPT connections standard (polypropylene bushings included).
4. Top inlet and side inlet options standard.
5. Optional vent connection standard.
6. 4-1/4" gasketed top access port with captive hand-thread hardware.
7. Built-in sewer gas trap.
8. Bottom of tank must be supported if not sitting on floor. Support must hold at least 80 lbs. Bottom of tank designed to accomodate 4" plastic pipe (by others) as a support option.
9. 50-pound limestone capacity (sold separately).
10. Unit weight: 11 lbs (dry), 58 lbs (wet), 76.5 lbs (wet, with limestone).
11. Uses: Neutralization (w/ limestone) or dilution (no limestone).

ENGINEER SPECIFICATION GUIDE

Striem Lab Rat neutralization tank model LB-5 shall be lifetime guaranteed and Made in USA of seamless, rotationally-molded polyethylene with minimum 1/4" uniform wall thickness. Tank shall be furnished with top or side inlet connection field-adaptable for 1-1/2" or 2" drain line pipe size. Tank shall be watertight up to 36" head and contain an internal sewer gas trap. Tank shall have gasketed cover with captive hand-threaded hardware.



INLET SIDE VIEW

MODEL NUMBER:	LB-5
DESCRIPTION:	POINT OF USE NEUTRALIZATION TANK
DWG BY: MJ	DATE: 11/12/2019 REV: ECO:

SPECIFICATION SHEET

Striem
 3100 Brinkerhoff
 Kansas City, KS 66115
 Tel: 913-222-1500
 Fax: 913-291-0457
 www.striemco.com



Made in the U.S.A

PROPRIETARY AND CONFIDENTIAL

THE INFORMATION CONTAINED IN THIS DRAWING IS THE SOLE PROPERTY OF STRIEM, LLC. ANY REPRODUCTION IN PART OR AS A WHOLE WITHOUT THE WRITTEN PERMISSION OF STRIEM, LLC IS PROHIBITED.