

**SPECIFICATIONS**

1. 4" Plain End inlet/outlet, 2" Plain End vents, C24-M cover standard.
2. Liquid holding capacity: 57 Gallons.
3. Unit weight: 93 lbs.
4. Maximum operating temperature 140°F continuous.

**NOTES**

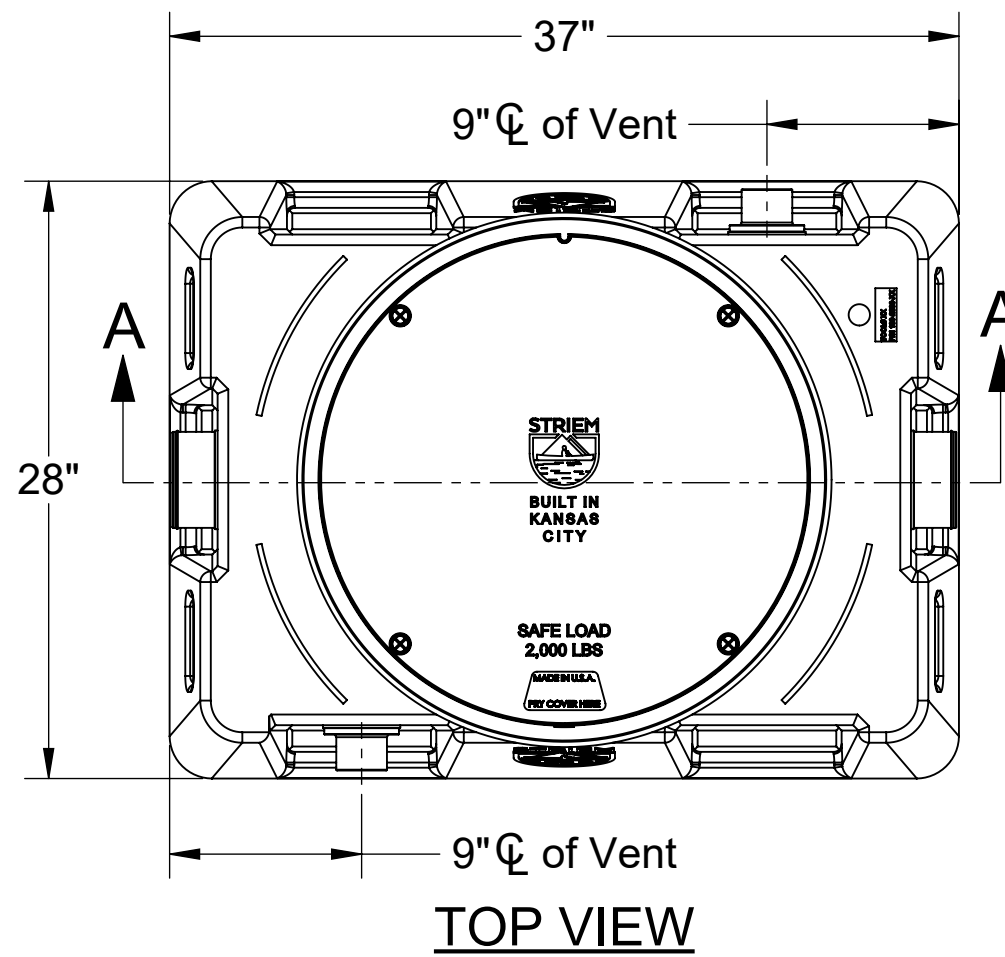
1. For gravity drainage applications only.
2. Do not use for pressure applications.
3. Cover placement allows full access to tank for proper maintenance.
4. Diptube is removable to inspect/clean piping.

**ENGINEER SPECIFICATION GUIDE**

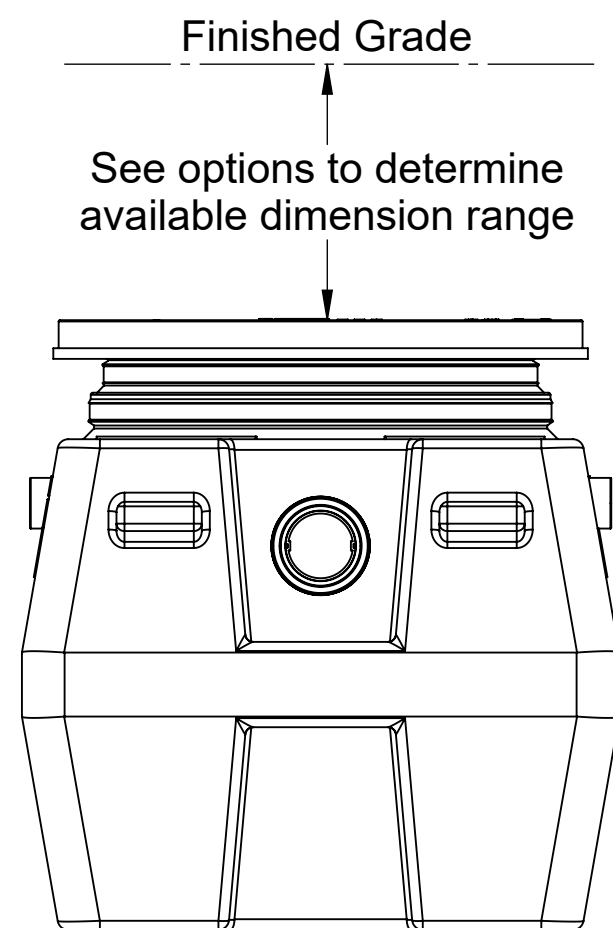
Striem neutralization tank model LB-50 shall be lifetime guaranteed and made in the USA. Tank shall be constructed of polyethylene. Tank shall be manufactured for above- or below-grade installation. Field-adjustable riser system is available as an option to bring manhole cover to grade. Tank liquid holding capacity shall be 57 gallons. Cover shall provide water/gas-tight seal and have a maximum 2,000 lbs. load capacity.

**THIRD PARTY STRUCTURAL ANALYSIS**

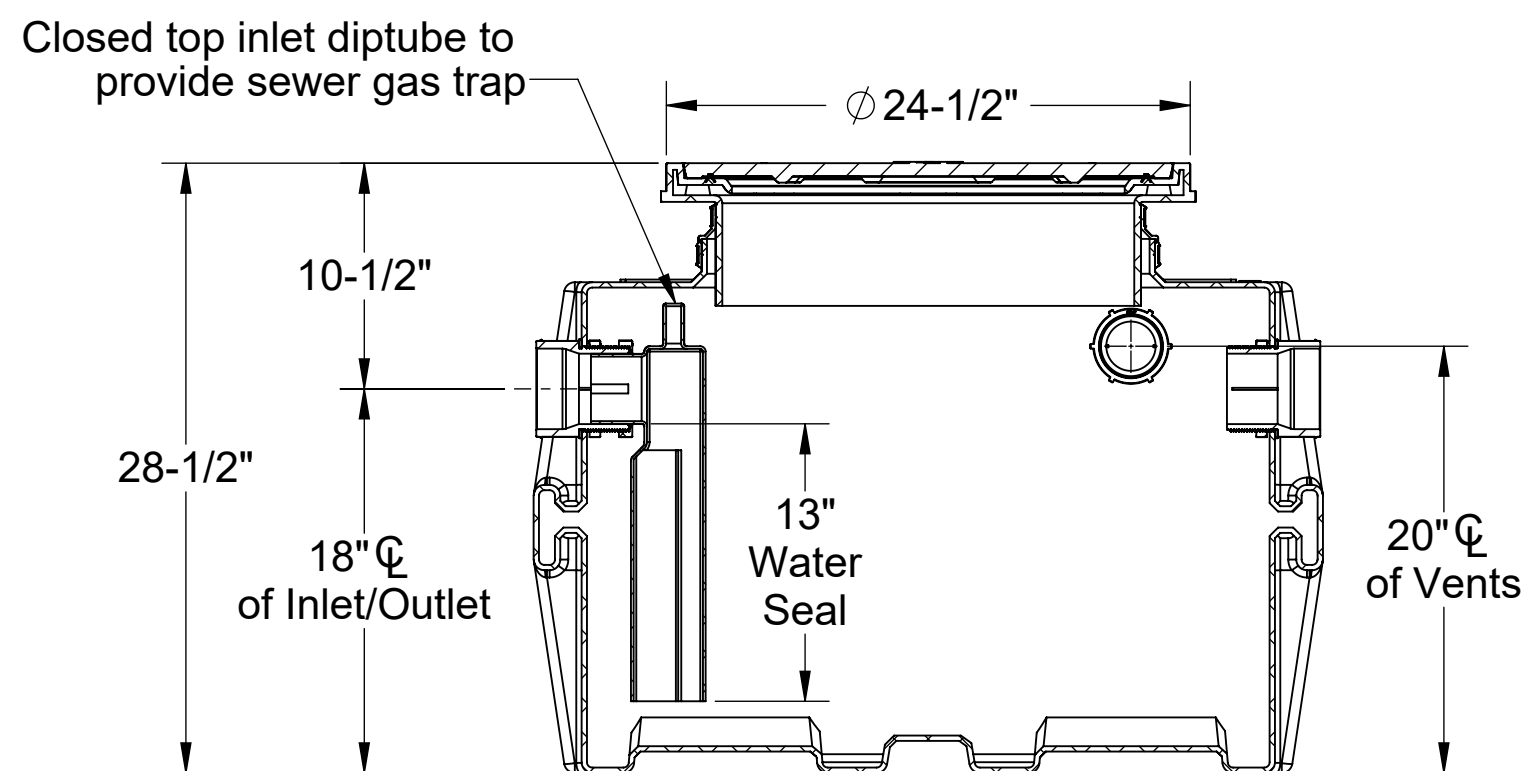
The LB-50 has been structurally analyzed in accordance with the requirements of IBC 2012 and ASCE/SEI 7 for direct burial. The maximum burial depth and backfill material are specified in our installation instructions. The structural design has been reviewed and sealed by a professional engineer registered in the state of California. A sealed structural analysis report is available upon request.



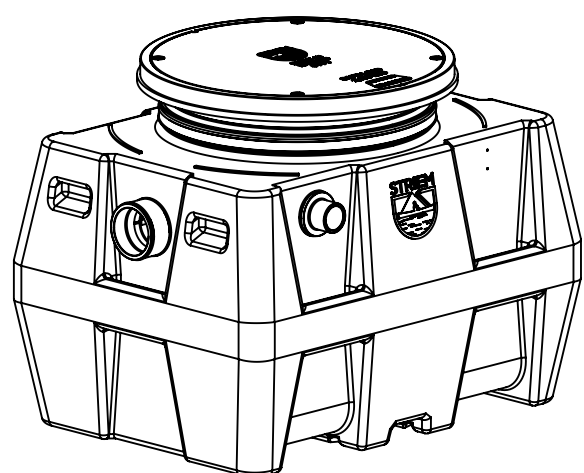
OPTIONS	
<b>Connection Options (Plain End Only)</b>	
<b>Inlet / Outlet</b>	
<input type="checkbox"/> 2"	
<input type="checkbox"/> 3"	
<input type="checkbox"/> 4"	
<b>Riser Options</b>	
<b>From Factory: 0" - 5"</b>	
<input type="checkbox"/> Up to 24": <b>SR24</b>	
<input type="checkbox"/> Up to 39": <b>LR24</b>	
<b>Additional Options</b>	
<input type="checkbox"/> <b>HDK-2:</b> High Water Table Hold Down Kit	
<input type="checkbox"/> <b>C24-H:</b> Highway Rated Bolted Composite Cover	
<input type="checkbox"/> <b>CC-1:</b> Command Center pH Monitoring Package	
<input type="checkbox"/> <b>SPK-A:</b> Above-Grade Sensor Placement Kit*	
<input type="checkbox"/> <b>SPK-B:</b> Below-Grade Sensor Placement Kit*	
<input type="checkbox"/> <b>Limestone:</b> 90%+ Calcium Carbonate (650 lbs.)	
*Required with CC-1	



**END VIEW**



**SECTION A-A**



**PROPRIETARY AND CONFIDENTIAL**  
 THE INFORMATION CONTAINED IN THIS DRAWING IS THE SOLE PROPERTY OF STRIEM, LLC.  
 ANY REPRODUCTION IN PART OR AS A WHOLE WITHOUT THE WRITTEN PERMISSION OF STRIEM, LLC. IS PROHIBITED.

<b>MODEL NUMBER:</b>	LB-50
<b>DESCRIPTION:</b>	LAB BASIN™ POLYETHYLENE NEUTRALIZATION TANK
<b>DWG BY:</b>	ENG
<b>DATE:</b>	3/7/2024
<b>REV:</b>	1

**SPECIFICATION SHEET**

Striem  
 Kansas City, KS  
 Tel: 913-222-1500  
 orders@striemco.com  
 www.striemco.com

Made in the U.S.A

