



OS-25 OIL SEPARATOR

Installation, Operation, & Maintenance Guide

OS-25 OIL SEPARATOR

Installation, Operation, & Maintenance Guide

OVERVIEW

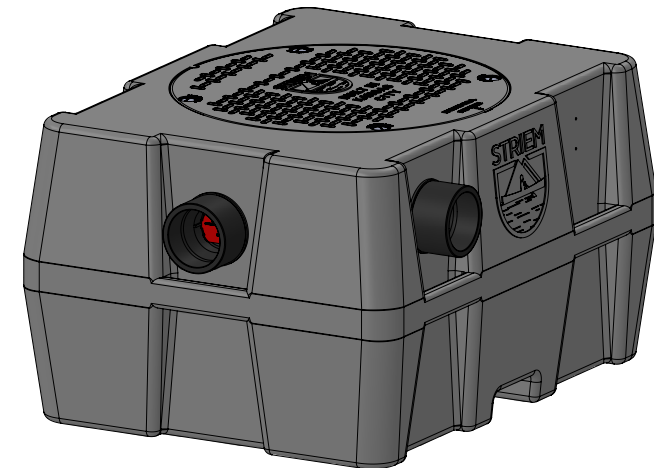
Striem OS series model OS-25 is a 25 GPM polyethylene oil separator intended for above- or below-grade installation. It is designed to separate oil and other immiscible lighter-than-water contaminants from wastewater and keep them from entering the sewage system.

OPERATION

Oily wastewater enters through the inlet connection. As the wastewater moves through the unit, solids and immiscible lighter-than-water contaminants are separated based on Stokes' Law. Immiscible, lighter-than-water droplets rise out of the wastewater stream, while sediment and sludge settle to the bottom.

LIFETIME WARRANTY

Our products are designed to last the lifetime of the plumbing system in which they are installed. If they don't, we will repair or replace them at no charge. Product damage due to normal wear and tear may be repaired or replaced at a reasonable charge. See website for full details.



OS-25
OS SERIES
25 GPM
OIL SEPARATOR

913-222-1500 HELP@STRIEMCO.COM STRIEMCO.COM

CUSTOMER SERVICE HOURS: 8 AM - 5 PM CST



WARNING



DO NOT AIR PRESSURE TEST UNIT!

DOING SO MAY RESULT IN PROPERTY DAMAGE,
SERIOUS BODILY INJURY, OR DEATH!

Refer to Installation Instructions for correct testing procedure.

LEAK/SEAL TESTING

Do not air test unit or Riser system! Doing so may result in property damage, personal injury or death.

To perform a leak/seal test on the base unit, cap/plug all plumbing connections, remove the cover, and fill the unit with water just above the highest connection. Inspect unit and connections for leaks. Check water level at specific time intervals per local code.

MAINTENANCE

- 1 Always take proper care to ensure a safe and healthy environment while maintaining the oil separator. Avoid the presence of sparks or open flames while maintaining the unit.
- 2 Remove cover.
- 3 Contact a professional pumper contractor to remove all contents of the oil separator, including oil, sediment, and wastewater.
- 4 Clean the drain lines and diffusers thoroughly of all debris.
- 5 Fill OS-25 with water to outlet invert.
- 6 Inspect cover gasket for wear and tear and replace cover.
- 7 Dispose of contents per local code.

PUMPING FREQUENCY

OS-25 must be maintained prior to reaching maximum oil or sediment capacity for the unit to continue working efficiently.

Pumping frequency depends on the amount of oil and sediment in the wastewater. Monitor oil and sediment levels to determine site specific maintenance schedule requirements.

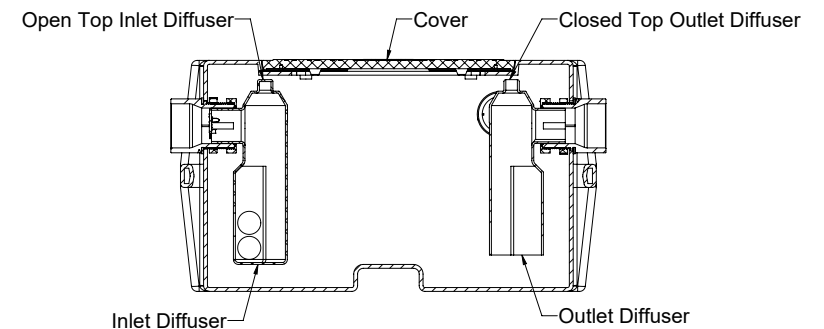
Oil levels can be tested with a core sampler. Striem recommends a minimum pumping frequency of 6 months.

TROUBLESHOOTING TIPS



Slower than usual drainage may indicate a blockage and a need to maintain the oil separator. Ensure the drain lines and diffusers are cleared of all debris in the presence of slow drainage.

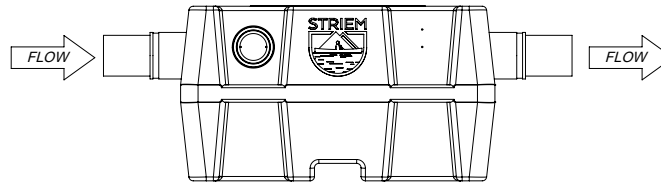
Effluent flow fouled with free oil may indicate the OS-25 has exceeded the maximum oil capacity. In the presence of oil in the effluent flow, maintain the unit immediately.



ABOVE GRADE INSTALLATION INSTRUCTIONS

UNIT INSTALLATION

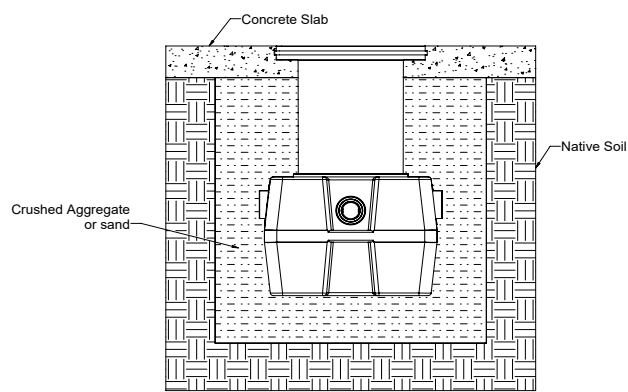
- 1 Connect waste piping to unit.
- 2 Fill OS-25 with water to outlet invert.
- 3 Ensure cover is properly installed.



BELOW GRADE INSTALLATION INSTRUCTIONS

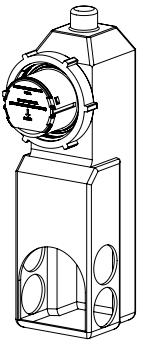
EXCAVATION

- 1 Surrounding soil must be undisturbed soil or well compacted engineering fill.
- 2 Width and length of excavation shall be minimum 6" greater than the tank on all sides.
- 3 Depth of excavation shall be 6" deeper than tank bottom.



FLOW PLATE

- Flow plate is calibrated to rated GPM at 13 ft water column.
- When separator is installed in a low flow or reduced head pressure application, do not install the included flow plate.
- When separator is installed in a high flow or increased head pressure application, install the included flow plate.

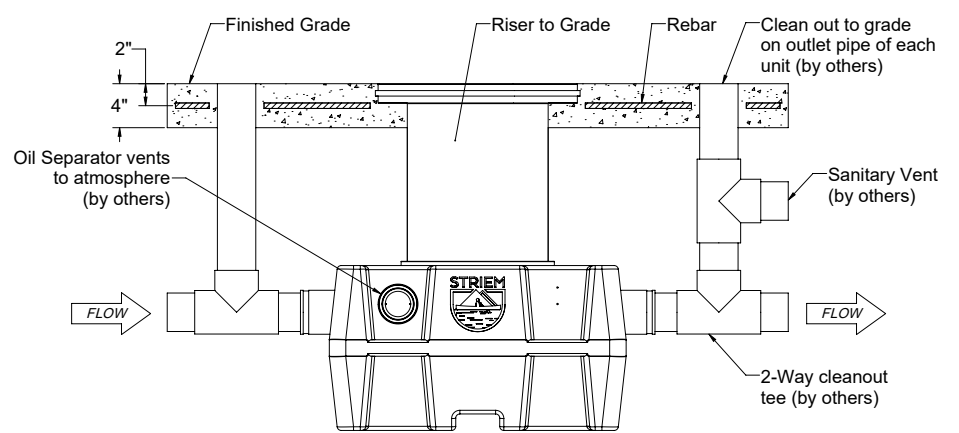


UNIT INSTALLATION

- 1 OS-25 cannot be installed flush with floor. SR-16 riser must be used for below grade installations with a minimum burial depth of 4 inches.
- 2 Lower and center the unit into the excavated hole.
- 3 The water table must not exceed the tank height prior to the addition of risers.
- 4 Ensure the unit cover is level with finished grade.
- 5 Fill OS-25 with water before backfilling to stabilize the unit and prevent float out during backfilling.

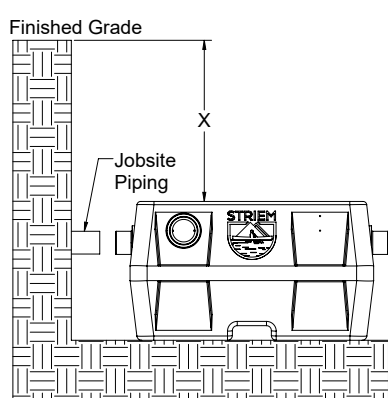
BACKFILLING & FINISHED CONCRETE SLAB

- 1 Before backfilling and pouring of slab, secure cover and riser (if used) to the unit.
- 2 Place 6" aggregate base under slab. Aggregate should be 3/4" size rock, or sand, with no fines.
- 3 Backfill using crushed aggregate material approximately 3/4" size rock, or sand, with no fines.
- 4 NO. 4 rebar (1/2") grade 60 steel per ASTM A615: connected with tie wire.
- 5 Rebar to be 2 1/2" from edge of concrete.

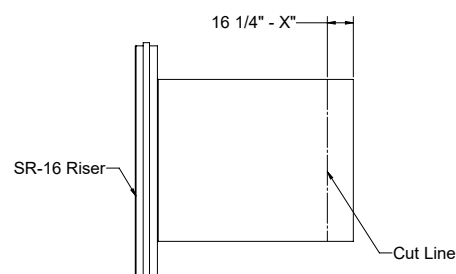


RISER | INSTALLATION INSTRUCTIONS

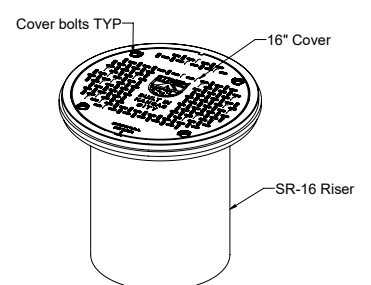
- 1
 - Place OS-25 so that the pipe connections line up with jobsite piping.
 - Measure dimension X from cover to finished grade to determine riser height needed.



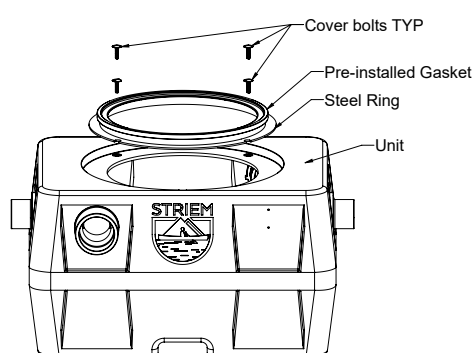
- 2
 - Measure the riser height needed, 16 1/4" - X" down the sidewall of the sidewall of the riser.
 - Mark the location with china marker (included with tank).
 - Extend the mark made around the circumference of the riser.
 - Cut along the line with jigsaw, circular saw, or reciprocating saw.
 - Remove debris from cut edge with scraper, utility knife, or gloves.



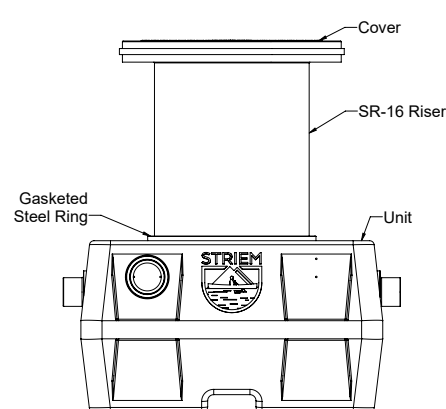
- 3
 - Uninstall the cover installed on the OS-25.
 - Install cover on SR-16 with included cover bolts.
 - Tighten cover bolts to 8 lbs. of torque.



- 4
 - Center gasketed steel ring on manway.
 - Install gasketed steel ring onto tank using included cover bolts and threaded inserts on tank body.
 - Tighten cover bolts to 8 lbs. of torque.



- 5
 - Push SR-16 riser through gasketed steel ring until it stops and is level.



- 6
 - Ensure cover is level with finished grade.
 - Proceed with unit installation.

