

**SPECIFICATIONS**

1. 3" Plain End inlet/outlet, 3" Plain End vents standard.
2. Max flow rate: 35 GPM.
3. Liquid capacity: 38 Gallons (5 cu. ft.).
4. Oil capacity: 28 Gallons.
5. Solids capacity: 6 Gallons.
6. Unit weight: 76 lbs.
7. Maximum operating temperature 140°F continuous.

**NOTES**

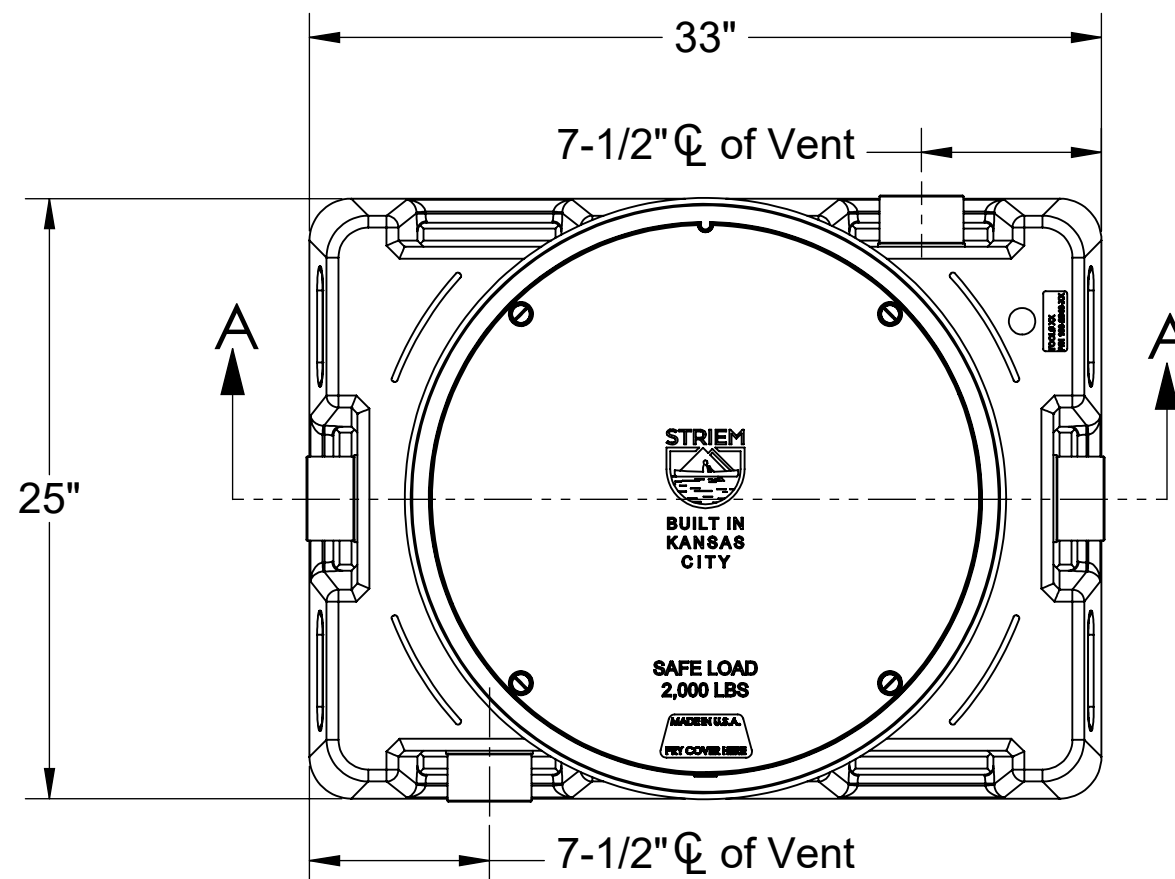
1. For gravity drainage applications only.
2. Do not use for pressure applications.
3. Snap-in Flow control (ships with unit).
4. Cover placement allows full access to tank for proper maintenance.

**DIFFUSION FLOW TECHNOLOGY**

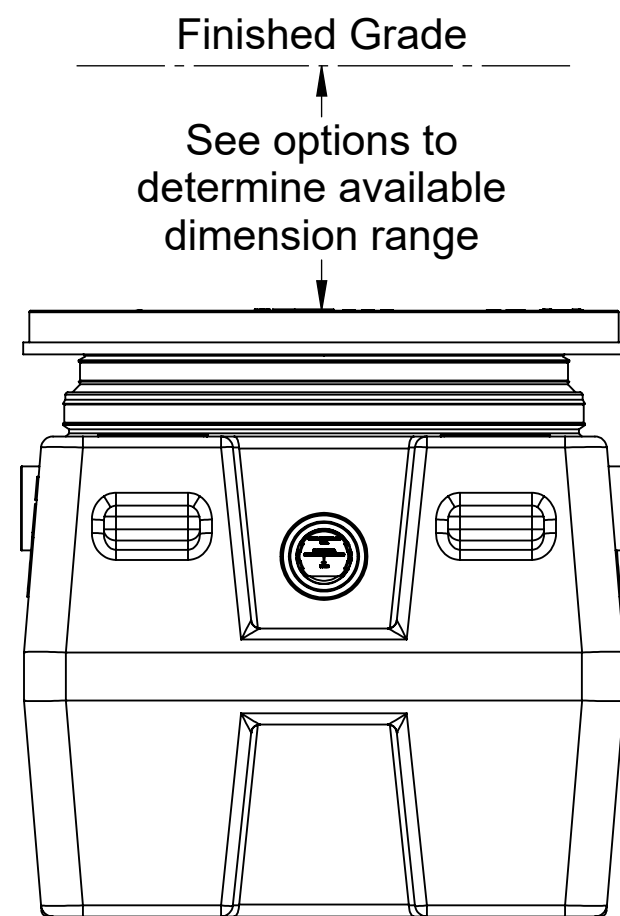
The inlet diffuser splits influent into three paths, creating laminar flow and utilizing the entire liquid volume of the tank for efficient oil separation. The calibrated openings greatly reduce influent turbulence. The influent enters the main chamber without disturbing the existing oil or sand layers. The bottom of the outlet diffuser allows only effluent that is free of oil to exit the tank.

**ENGINEER SPECIFICATION GUIDE**

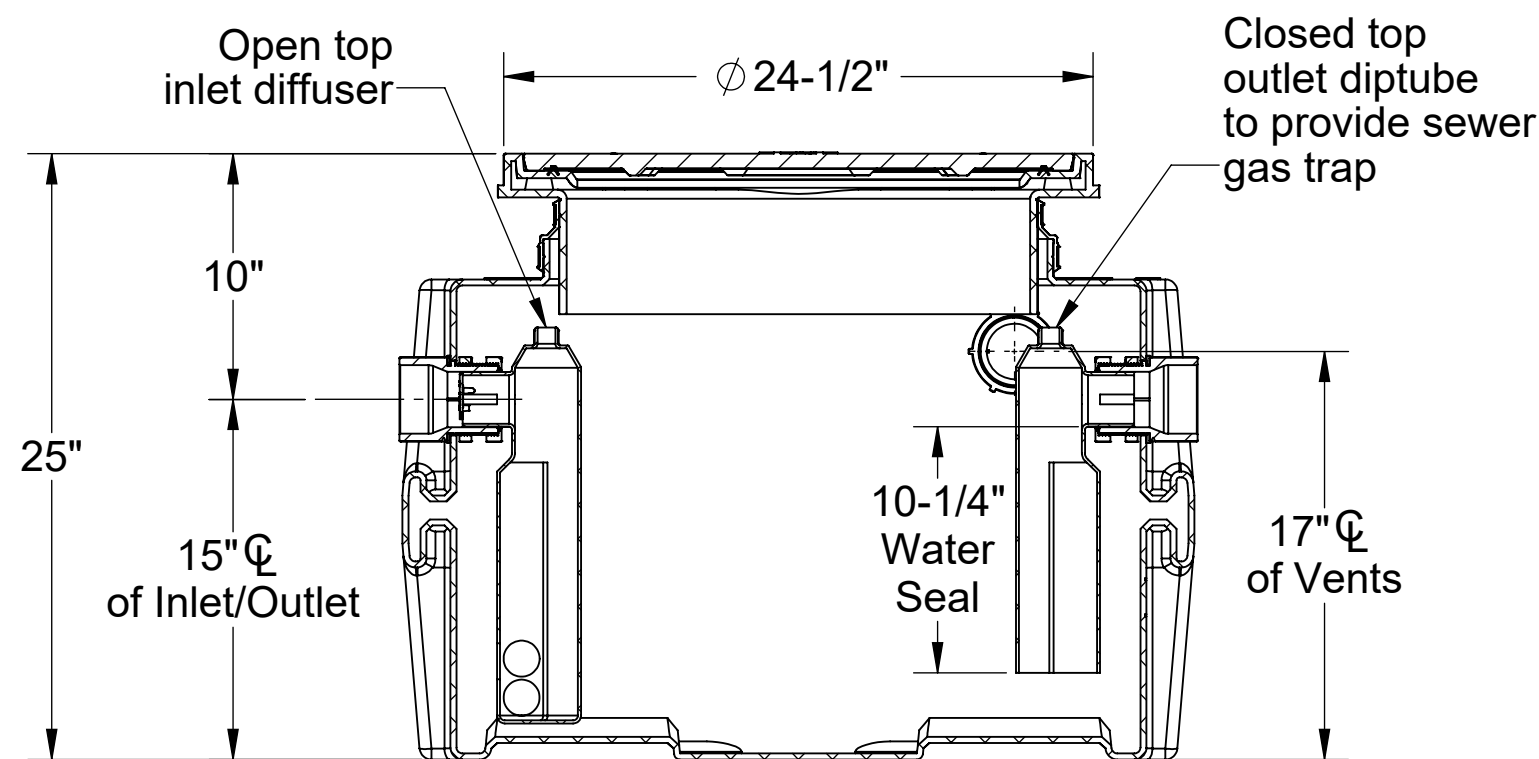
Striem oil separator model OS-35 shall be lifetime guaranteed and made in the USA. Separator shall be constructed of polyethylene. Separator shall be manufactured for above- or below-grade installation. Field-adjustable riser system is available as an option to bring manhole cover to grade. Separator flow rate shall be 35 GPM. Separator liquid holding capacity shall be 38 gallons and oil capacity shall be 28 gallons. Solids capacity shall be 6 gallons. Cover shall provide water/gas-tight seal and have a maximum 2,000 lbs. load capacity.



**TOP VIEW**



**END VIEW**



**SECTION A-A**

**OPTIONS**

**Connection Options**

Inlet / Outlet	Size
<input type="checkbox"/> Plain End	<input type="checkbox"/> 2"
<input type="checkbox"/> Male Thread	<input type="checkbox"/> 3"
	<input type="checkbox"/> 4"

**Riser Options**

- From Factory: Up to 5"**
- Up to 24": **SR24**
  - Up to 39": **LR24**

**Additional Options**

- CC24:** Integral Membrane Clamping Collar Kit
- CS1:** Clean Sweep Coalescing Media

<b>MODEL NUMBER:</b>	OS-35
<b>DESCRIPTION:</b>	35 GPM POLYETHYLENE OIL/SAND SEPARATOR
<b>DWG BY:</b>	ENG
<b>DATE:</b>	3/6/2023
<b>REV:</b>	1

**SPECIFICATION SHEET**

**Striem**  
 3100 Brinkerhoff  
 Kansas City, KS 66115  
 Tel: 913-222-1500  
 orders@striemco.com  
 www.striemco.com

Made in the U.S.A

