

SPECIFICATIONS

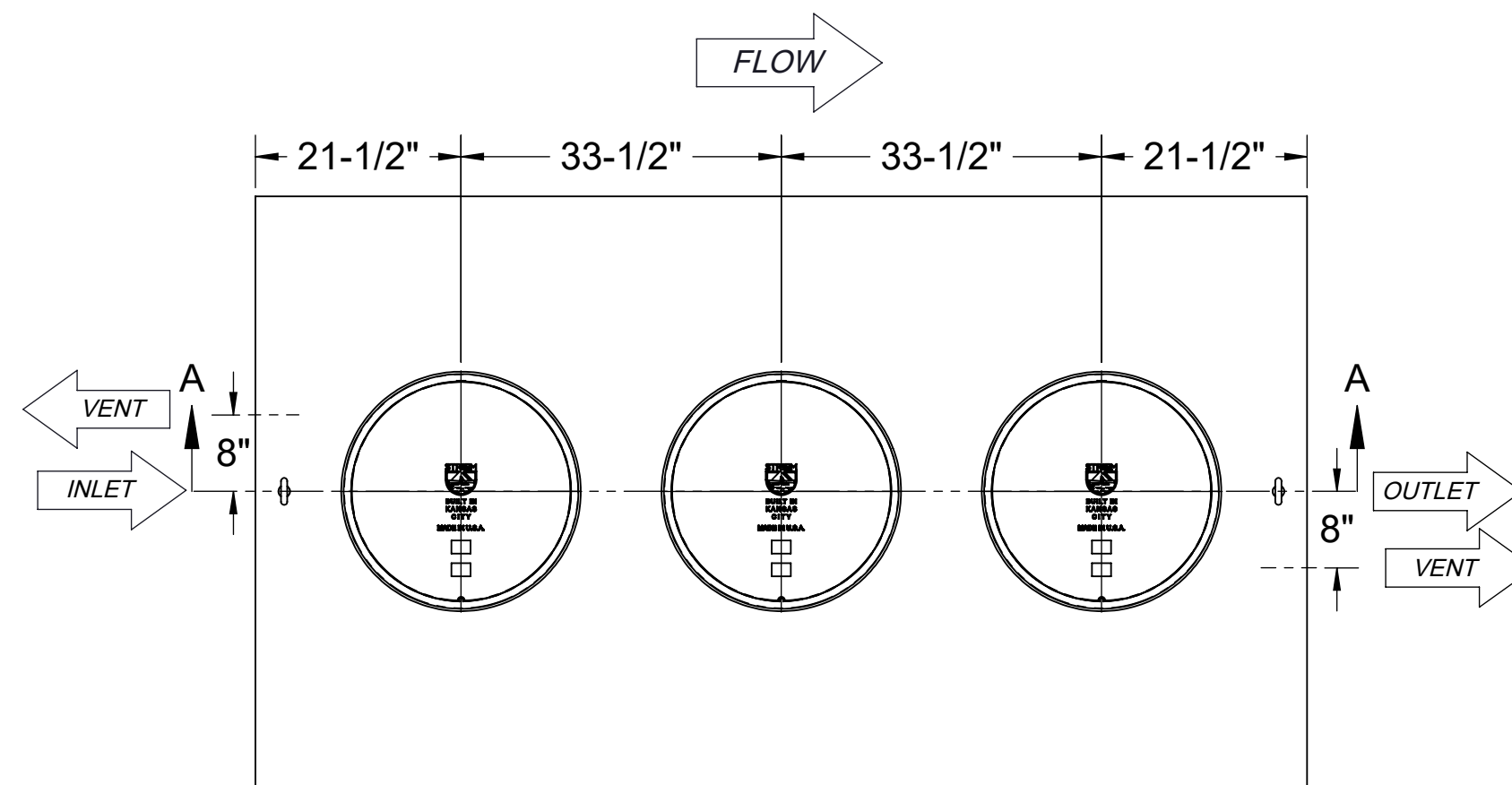
1. 3" Plain end vents standard.
2. Max flow rate: 314 GPM.
3. Liquid capacity: 1000 gallons (133 cu. ft.).
4. Oil capacity: 370 gallons.
5. Solids capacity: 477 gallons.
6. Unit weight: 1364 lbs.
7. Maximum operating temperature 140°F continuous.
8. H2O rated pickable cast iron covers.

NOTES

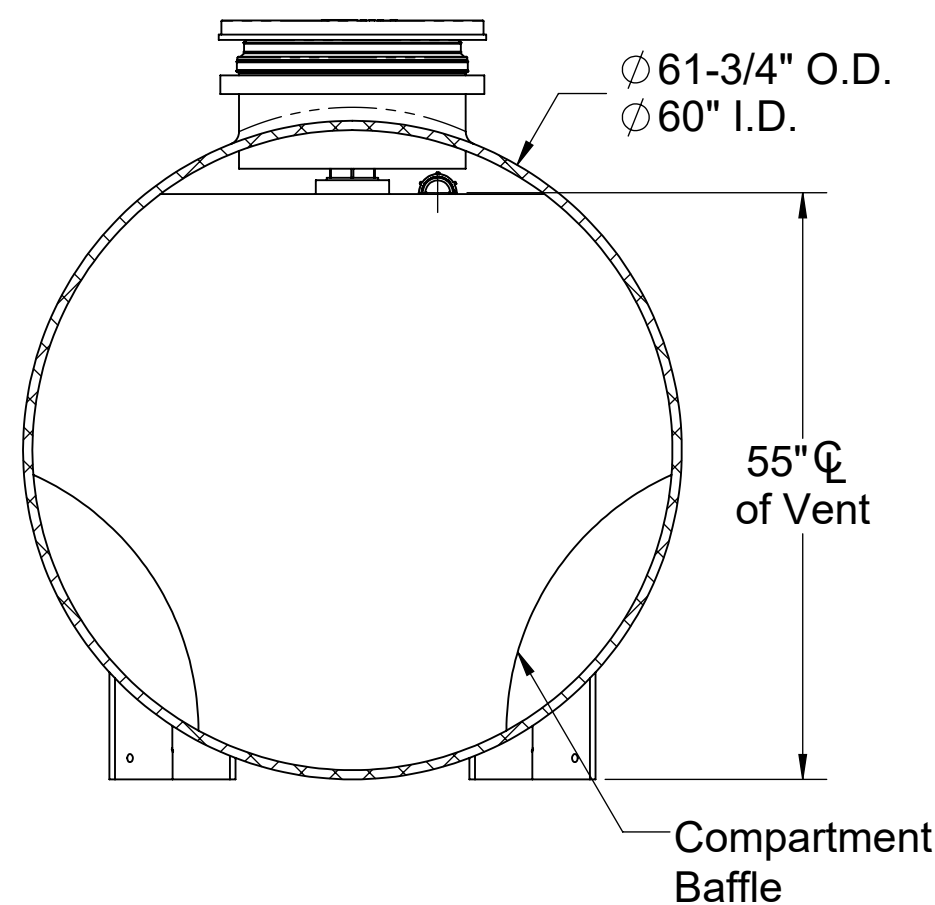
1. For gravity drainage applications only. Do not use for pressure applications.
2. Cover placement allows full access to tank for proper maintenance.
3. Lifting lug set for easy install.
4. For below grade installation only.

ENGINEER SPECIFICATION GUIDE

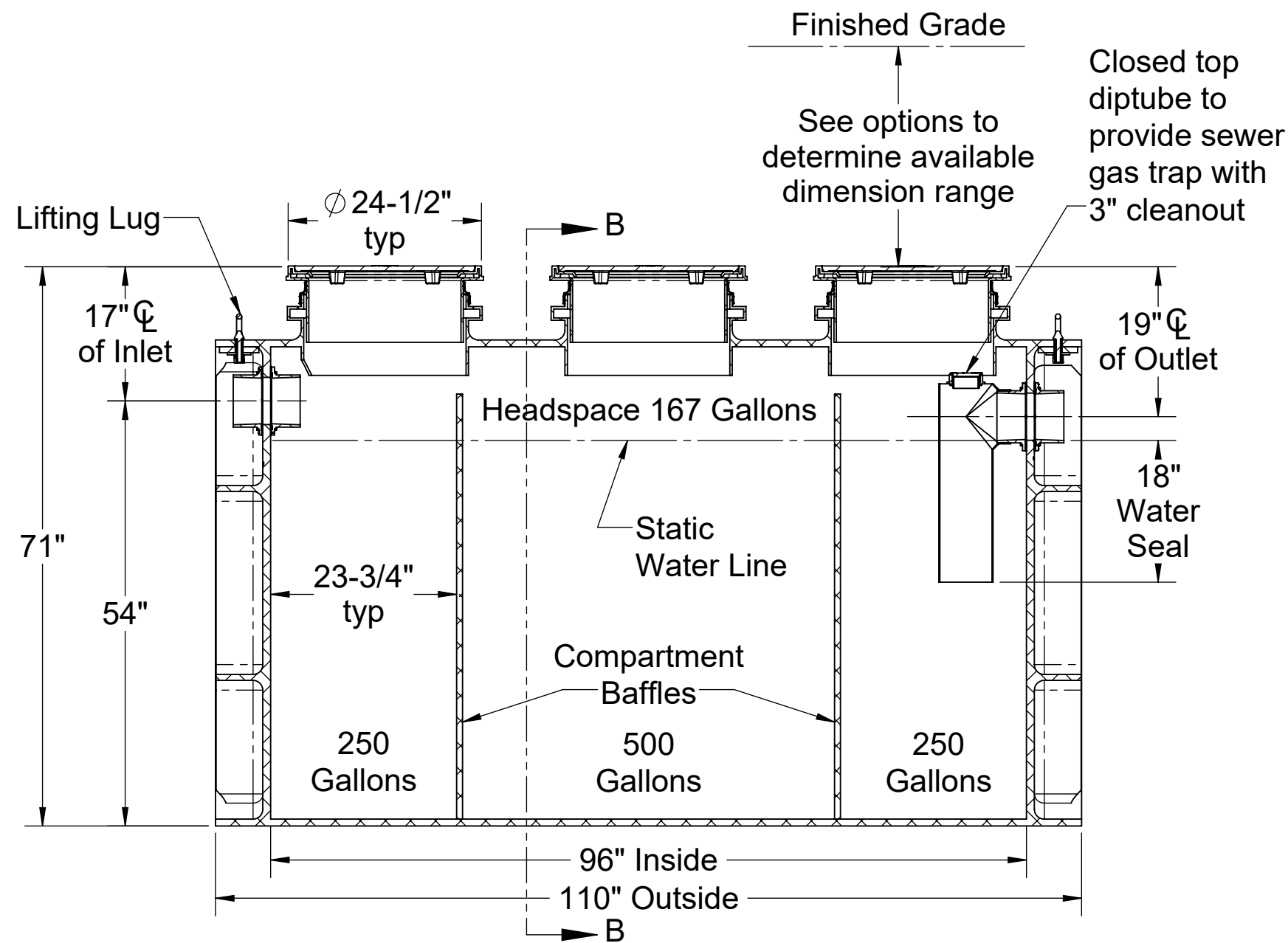
Striem Oil Tanker™ model OT-1000 shall be lifetime guaranteed and made in USA of High Density Polyethylene. Separator shall be furnished for below grade installation with field adjustable riser system. Separator flow rate shall be 314 GPM. Separator oil capacity shall be 370 gallons. Sand capacity shall be 477 gallons. Separator shall be certified to IAPMO IGC 183-2016.



TOP VIEW



SECTION B-B



SECTION A-A

Directions: Complete steps 1-3 and submit signed with purchase order.

1. Connections

Inlet / Outlet	Size
<input type="checkbox"/> Plain End	<input type="checkbox"/> 4"
<input type="checkbox"/> Male Thread	<input type="checkbox"/> 6"
	<input type="checkbox"/> 8" (Plain End Only)

2. Riser Options

- Included: 0" - 5"**
- SR24** (3): 5" - 24"
 - LR24** (3): 24" - 39"
 - SR24** (6): 39" - 43"
 - SR24** (3) + **LR24** (3): 43" - 58"
 - LR24** (6): 58" - 72"
 - SR24** (3) + **LR24** (6): 72" - 90"
 - LR24** (9): 90" - 106"
- OR -**
- CPRK** (3): 11" - 106"
 - Corrugated Pipe Riser Kit.
 - 18" diameter corrugated pipe by others.
 - See CPRK specification for more detail.

3. Additional Options

- HDK-5**: High Water Table Hold Down Kit
 - SS**: Slick Stick™ Oil Level Monitoring System*
 - CS3**: Clean Sweep Coalescing Media**
- *Monitoring system will raise covers by 3".
 **Clean Sweep Coalescing Media not compatible with CPRK

Signature of Approval: _____

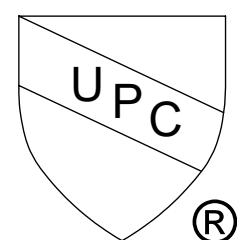
Company: _____

Date of Approval: _____

Specifying Engineer: _____

Engineering Firm: _____

PO IS NON-CANCELABLE
 ORDER IS NON-RETURNABLE



MODEL NUMBER:	OT-1000
DESCRIPTION:	OIL TANKER™ POLYETHYLENE OIL SEPARATOR 1000 GALLON CAPACITY
DWG BY:	WLF
DATE:	2/2/22
REV:	0
ECO:	

SPECIFICATION SHEET

Striem
 3100 Brinkerhoff
 Kansas City, KS 66115
 Tel: 913-222-1500
 orders@striemco.com
 www.striemco.com

Made in the U.S.A

PROPRIETARY AND CONFIDENTIAL
 THE INFORMATION CONTAINED IN THIS DRAWING IS THE SOLE PROPERTY OF STRIEM, LLC.
 ANY REPRODUCTION IN PART OR AS A WHOLE WITHOUT THE WRITTEN PERMISSION OF STRIEM, LLC. IS PROHIBITED.