

**SPECIFICATIONS (PS-125-S)**

1. 4" inlet/outlet.
2. Liquid capacity: 110 Gallons.
3. Solids capacity: 55 Gallons.
4. Unit weight w/std. cover: 140 lbs.; w/ cast iron cover: 200 lbs.
5. Highway rated cover: 16,000 lbs. capacity.
6. Maximum operating temperature 140°F continuous.

**NOTES**

1. For gravity drainage applications only. Do not use for pressure applications.
2. 3/8" thick seamless polyethylene walls.
3. Unit supplied with built-in adapter for up to 5" of adjustability. Additional riser(s) are also available for deeper burial depth.
4. Cover placement allows full access to tank for proper maintenance.
5. Internal components are removable for easy maintenance.
6. For on-the-floor or buried applications.

**ENGINEER SPECIFICATION GUIDE**

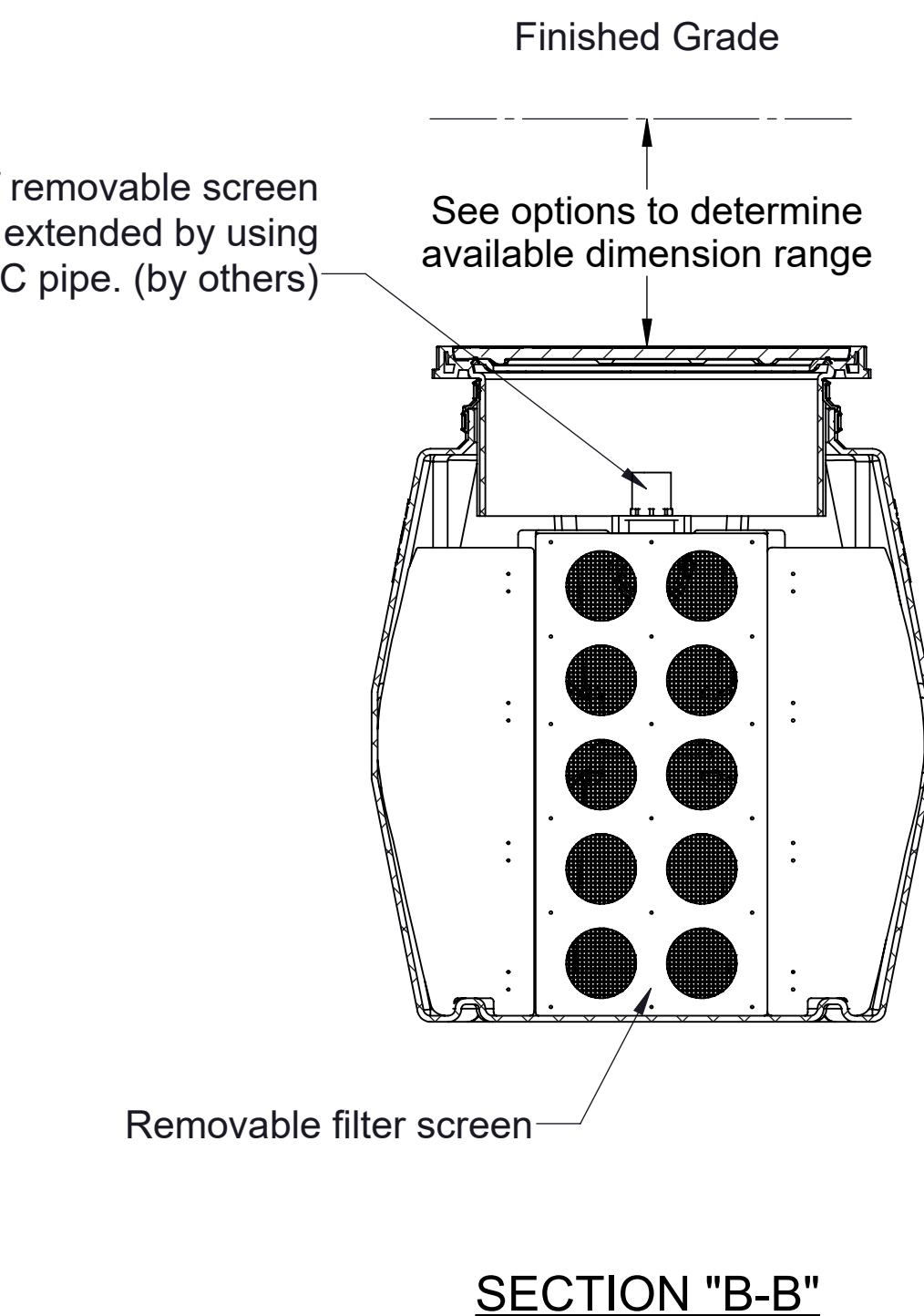
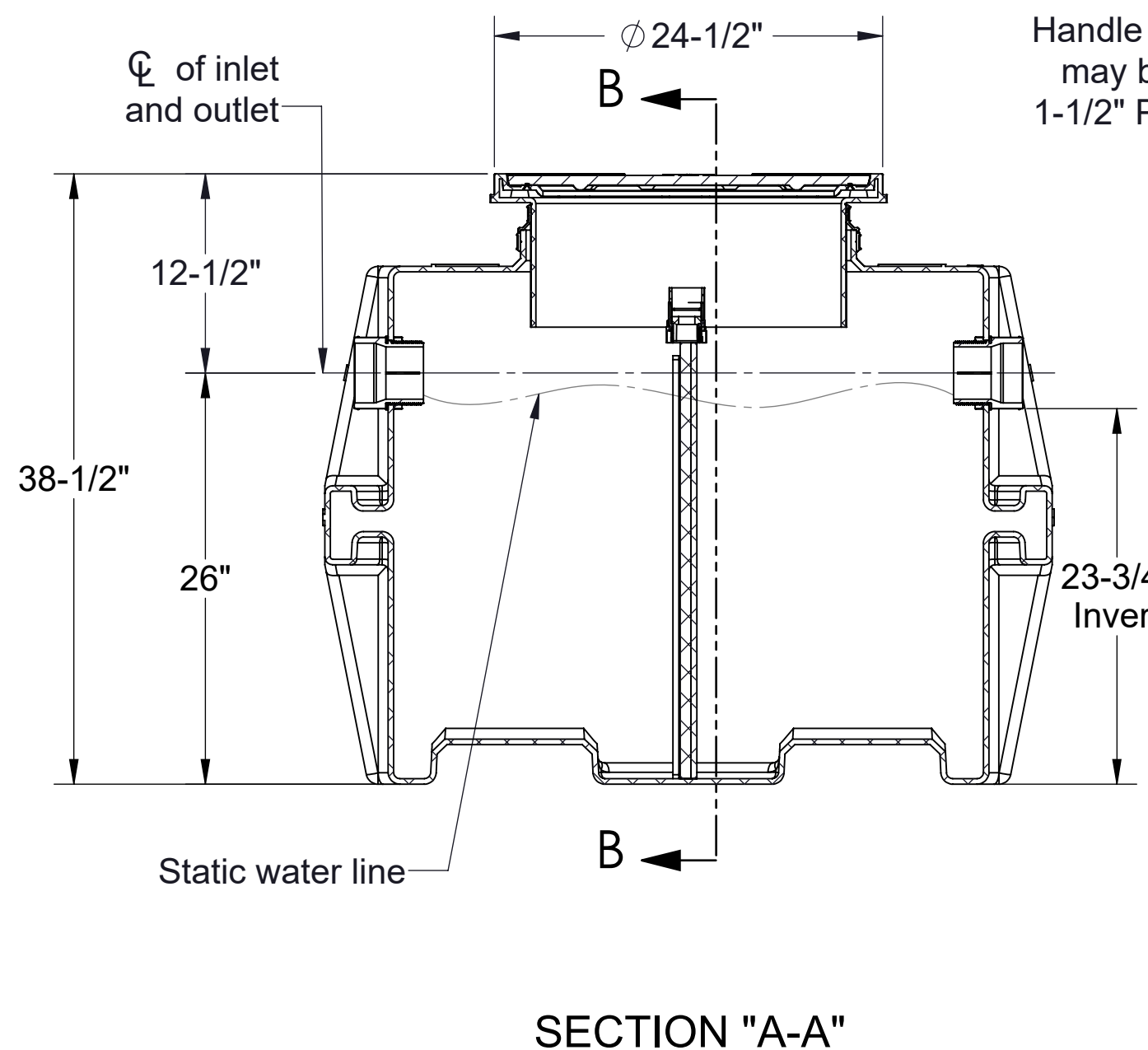
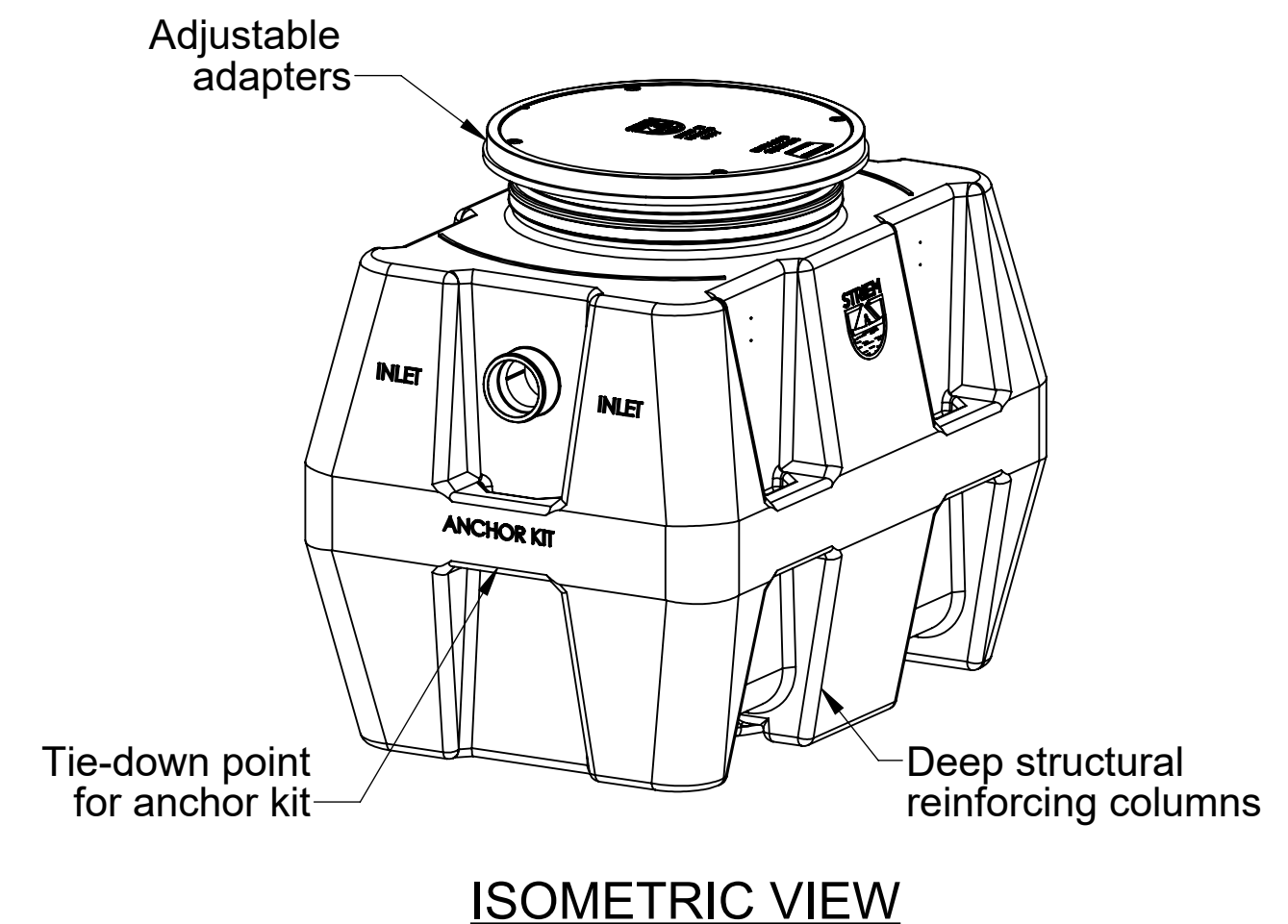
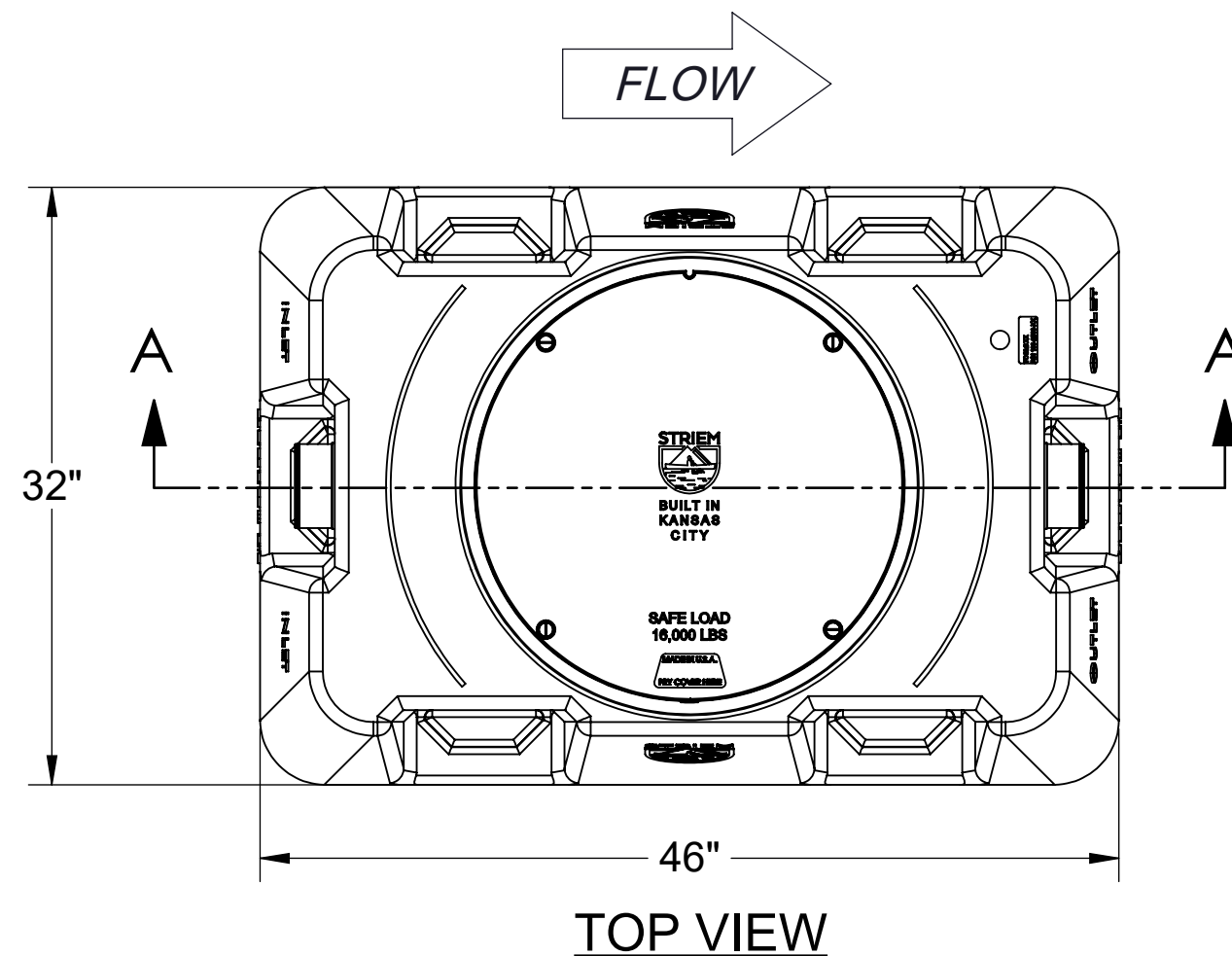
Striem Prospector™ solids interceptor model PS-125-S shall be lifetime guaranteed and Made in USA of seamless, rotationally-molded Medium Density Polyethylene with minimum 3/8" uniform wall thickness. Interceptor shall be furnished for above or below-grade installation. Interceptor shall be furnished with filter screen and connection for extending handle for deep burials. Cover shall provide water/gas-tight seal and have a maximum 16,000 lbs load capacity.

**OPTIONS**

- 4M:** 4" Male thread inlet/outlet
- 6P:** 6" Plain End inlet/outlet
- HDK-2:** High Water Anchor Kit
- C24-HP:** H20 rated pickable cast iron cover
- C:** Course filter screen (openings 0.3 x 0.27")
- M:** Medium filter screen (openings 0.1 x 0.08")
- F:** Fine filter screen (openings 0.03 x 0.025")

**TeleGlide RISER OPTIONS**

- SR24:** 5"-24"
- LR24:** 24"-39"
- SR24 (2):** 39"-43"
- SR24 + LR24:** 43"-58"
- LR24 (2):** 58"-72"



<b>MODEL NUMBER:</b> PS-125-S	
<b>DESCRIPTION:</b> PROSPECTOR SERIES POLYETHYLENE SCREEN STYLE SOLIDS INTERCEPTOR 110 LIQUID GALLON CAPACITY	
<b>DWG BY:</b> WLF	<b>DATE:</b> 2/24/22
<b>REV:</b> 0	<b>ECO:</b>

**SPECIFICATION SHEET**

**Striem**  
3100 Brinkerhoff  
Kansas City, KS 66115  
Tel: 913-222-1500  
orders@striemco.com  
www.striemco.com

Made in the U.S.A