



PS-25-S

SOLIDS INTERCEPTOR

Installation, Operation, & Maintenance Guide

PS-25-S

SOLIDS INTERCEPTOR

Installation, Operation, & Maintenance Guide

OVERVIEW

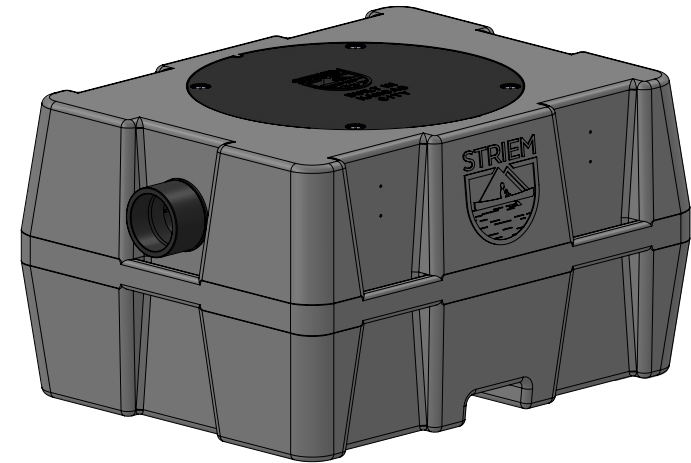
Striem Prospector™ model PS-25-S is a 21 gallon polyethylene solids interceptor intended for above- or below-grade installation. It is designed to separate heavy and suspended solids from in-line drainage applications before entering the public sewer or private septic system system by means of a removable screen.

OPERATION

Solids laden wastewater enters through the inlet connection. Heavy solids settle to the bottom of the unit, while the remaining solids are filtered from the waste stream by the removable screen.

LIFETIME WARRANTY

Our products are designed to last the lifetime of the plumbing system in which they are installed. If they don't, we will repair or replace them at no charge. Product damage due to normal wear and tear may be repaired or replaced at a reasonable charge. See website for full details.



PS-25-S
21 GAL
SOLIDS INTERCEPTOR

913-222-1500 HELP@STRIEMCO.COM STRIEMCO.COM
CUSTOMER SERVICE HOURS: 8 AM - 5 PM CST



WARNING



DO NOT AIR PRESSURE TEST UNIT!

DOING SO MAY RESULT IN PROPERTY DAMAGE,
SERIOUS BODILY INJURY, OR DEATH!

Refer to Installation Instructions for correct testing procedure.

LEAK/SEAL TESTING

Do not air test unit or Riser system! Doing so may result in property damage, personal injury or death.

To perform a leak/seal test on the base unit, cap/plug all plumbing connections, remove the cover, and fill the unit with water just above the highest connection. Inspect unit and connections for leaks. Check water level at specific time intervals per local code.

MAINTENANCE

- 1 Always take proper care to ensure a safe and healthy environment while maintaining the solids interceptor.
- 2 Remove cover.
- 3 Remove all contents from the body of the PS-25-S, including solids and wastewater. Contact a professional pumper contractor for the best results.
- 4 Clean drain lines thoroughly of all debris.
- 5 Remove screen and clean if necessary.
- 6 Replace screen.
- 7 Fill PS-25-S with water to invert of outlet.
- 8 Inspect cover gasket for wear and tear and replace cover.
- 9 Dispose of contents per local code.

MAINTENANCE FREQUENCY

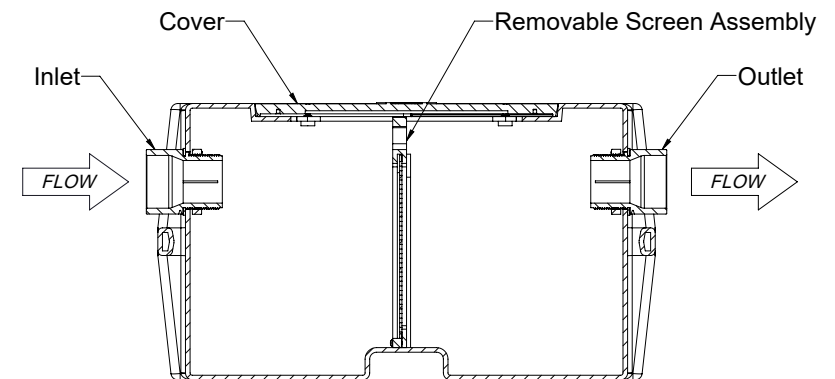
Maintenance frequency depends on the quantity, size, and contents of solids entering the solids interceptor. Striem recommends inspecting the unit every one to three months until a proper maintenance schedule can be established.

The body and screen must be maintained periodically to allow the free flow of wastewater through the unit.

TROUBLESHOOTING TIPS



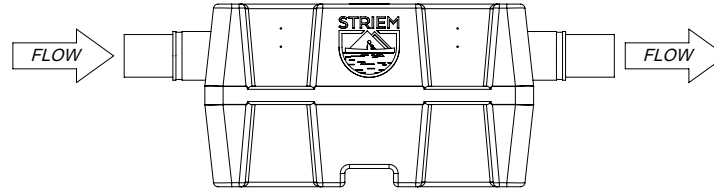
Slower than usual drainage may indicate a blockage and a need to maintain the solids interceptor. Ensure the drain lines and removable screen are cleared of all debris in the presence of slow drainage.



ABOVE GRADE INSTALLATION INSTRUCTIONS

UNIT INSTALLATION

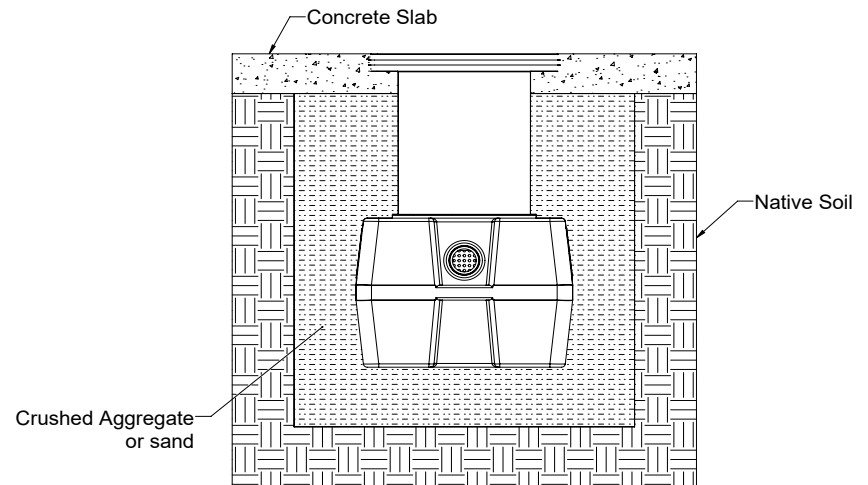
- 1 Connect waste piping to unit.
- 2 Fill PS-25-S with water to outlet invert.
- 3 Ensure cover is properly installed.



BELOW GRADE INSTALLATION INSTRUCTIONS

EXCAVATION

- 1 Surrounding soil must be undisturbed soil or well compacted engineering fill.
- 2 Width and length of excavation shall be minimum 6" greater than the tank on all sides.
- 3 Depth of excavation shall be 6" deeper than tank bottom.

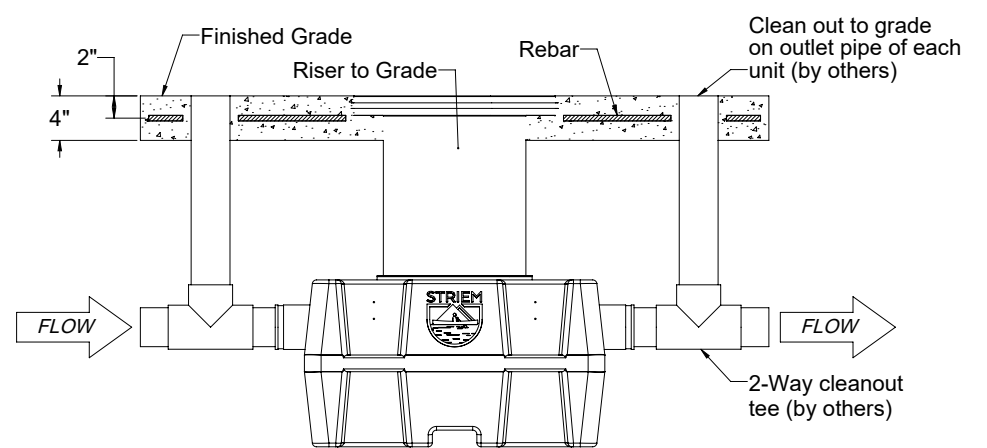


UNIT INSTALLATION

- 1 PS-25-S cannot be installed flush with floor. SR-16 riser must be used for below grade installations with a minimum burial depth of 4 inches.
- 2 Lower and center the unit into the excavated hole.
- 3 The water table must not exceed the tank height prior to the addition of risers.
- 4 Ensure the unit cover is level with finished grade.
- 5 Fill PS-25-S with water before backfilling to stabilize the unit and prevent float out during backfilling.

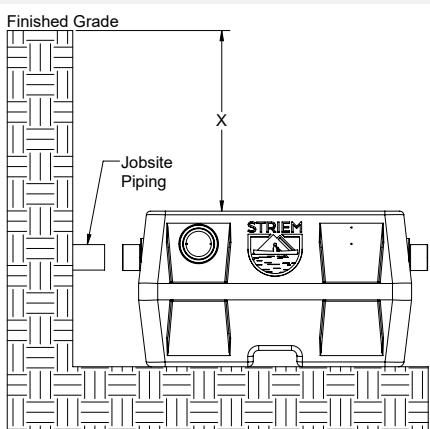
BACKFILLING & FINISHED CONCRETE SLAB

- 1 Before backfilling and pouring of slab, secure cover and riser (if used) to the unit.
- 2 Place 6" aggregate base under slab. Aggregate should be 3/4" size rock, or sand, with no fines.
- 3 Backfill using crushed aggregate material approximately 3/4" size rock, or sand, with no fines.
- 4 NO. 4 rebar (1/2") grade 60 steel per ASTM A615: connected with tie wire.
- 5 Rebar to be 2 1/2" from edge of concrete.

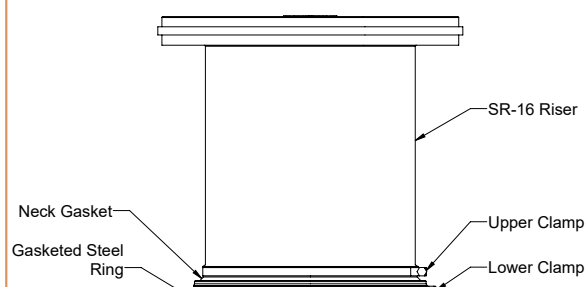


SR-16 TELEGLIDE RISER SYSTEM | INSTALLATION INSTRUCTIONS

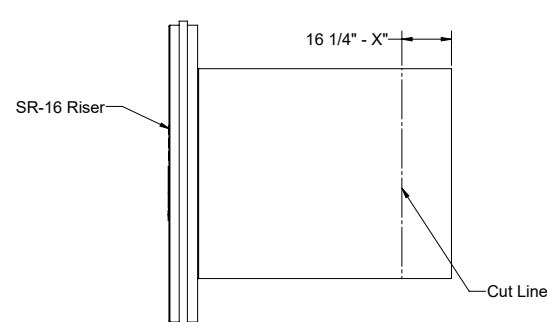
- 1
 - Place unit so that the pipe connections line up with the jobsite piping.
 - Measure dimension "X" from cover to finished grade to determine riser height needed.



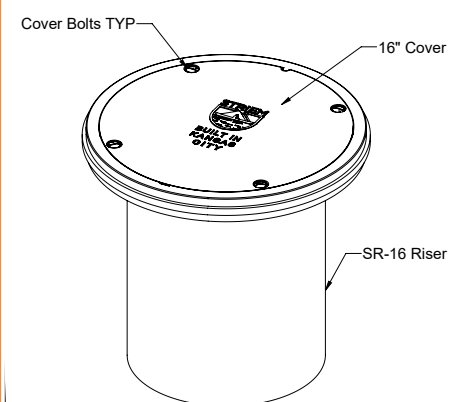
- 2
 - Loosen upper clamp with 3/8" deep well socket.
 - Remove SR-16 riser from neck gasket.



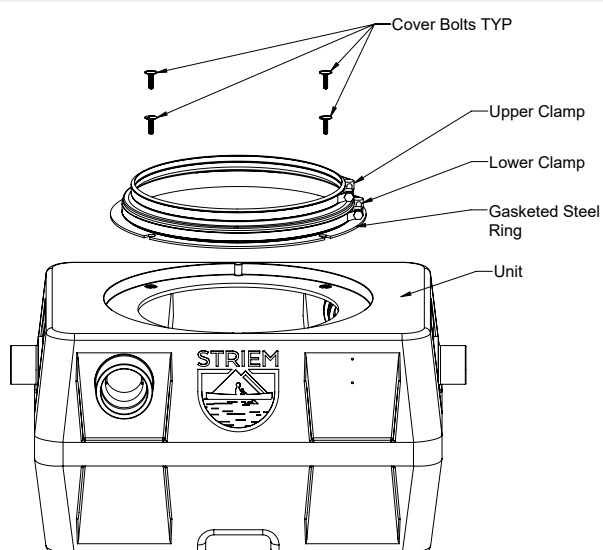
- 3
 - Measure the riser height needed, 16 1/4" - X" down the sidewall of the riser.
 - Mark the location.
 - Extend the mark made around the circumference of the riser.
 - Cut along the line with jigsaw, circular saw, or reciprocating saw.
 - Remove debris from cut edge with scraper, utility knife, or gloves.



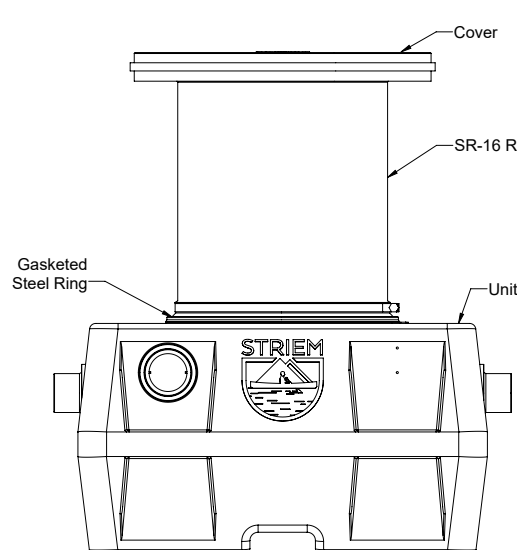
- 4
 - Uninstall the cover installed on the unit.
 - Install cover on SR-16 with cover bolts (included with tank).
 - Tighten cover bolts to 8 lbs. of torque.



- 5
 - Center gasketed steel ring on manway.
 - Install gasketed steel ring, with attached neck gasket and clamps, onto tank using SR-16 bolts and threaded inserts on tank body.
 - Tighten SR-16 bolts to 8 lbs. of torque.



- 6
 - Insert SR-16 riser through neck gasket until it stops and is level.
 - Tighten all clamps to 14 lbs. of torque.



- 7
 - Ensure cover is level with finished grade.
 - Proceed with unit installation.

