

SPECIFICATIONS (PS-25-S)

1. 3" inlets/outlets Sch. 40. (No-Hub).
2. Liquid capacity: 21 Gallons.
3. Solids capacity: 10 Gallons.
4. Unit weight w/std. cover: 37 lbs.
5. Standard cover handles 450 lbs. when unit is installed above-grade. and 2,500 lbs. when buried with SR16 riser.
6. Maximum operating temperature 140 °F continuous.

NOTES

1. For gravity drainage applications only. Do not use for pressure applications.
2. 3/8" thick seamless polyethylene walls.
3. Cover placement allows full access to tank for proper maintenance.
4. Internal components are removable for easy maintenance.
5. For on-the-floor or buried applications.

ENGINEER SPECIFICATION GUIDE

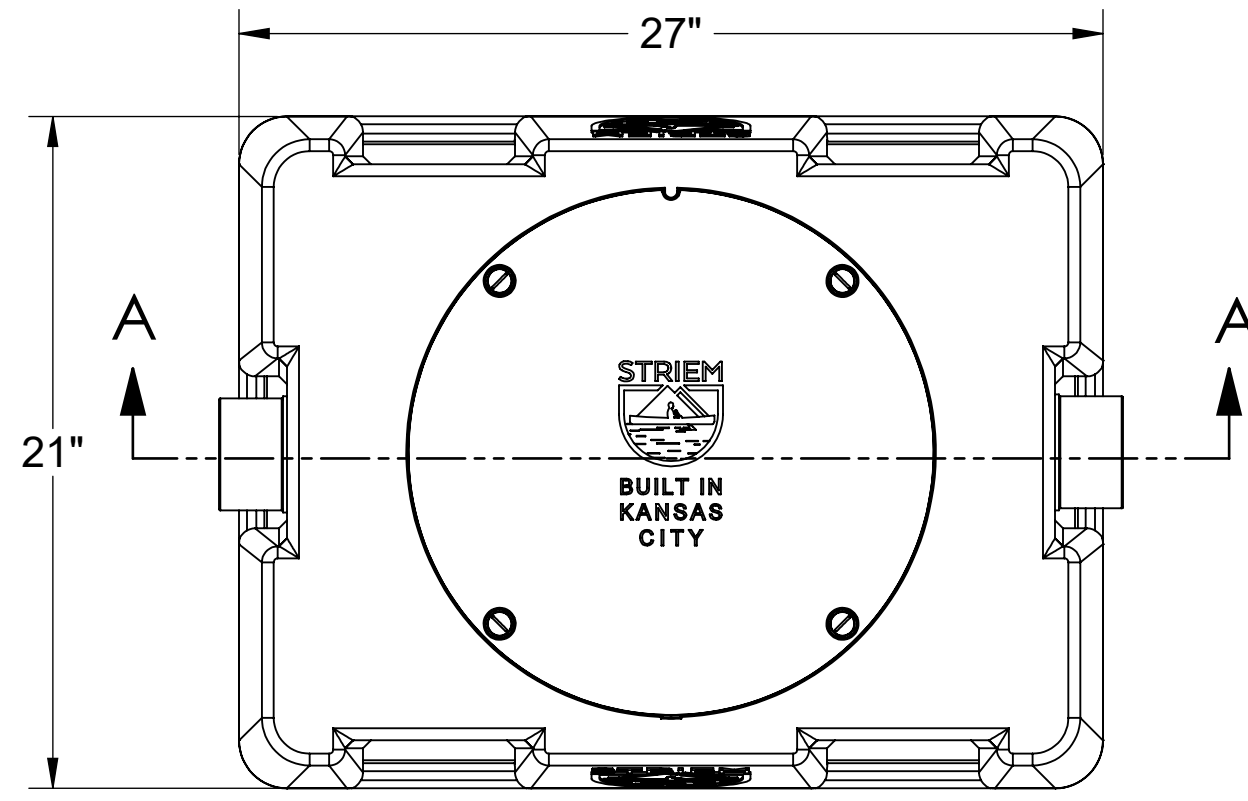
Striem Prospector™ solids interceptor model PS-25-S shall be lifetime guaranteed and Made in USA of seamless, rotationally-molded Medium Density Polyethylene with minimum 3/8" uniform wall thickness. Interceptor shall be furnished for above or below-grade installation. Interceptor shall be furnished with filter screen and connection for extending handle for burial. Cover shall provide water/gas-tight seal and have a maximum 450 lbs load capacity when unit is installed above-grade, and 2,500 lbs. when buried with SR16 riser.

OPTIONS

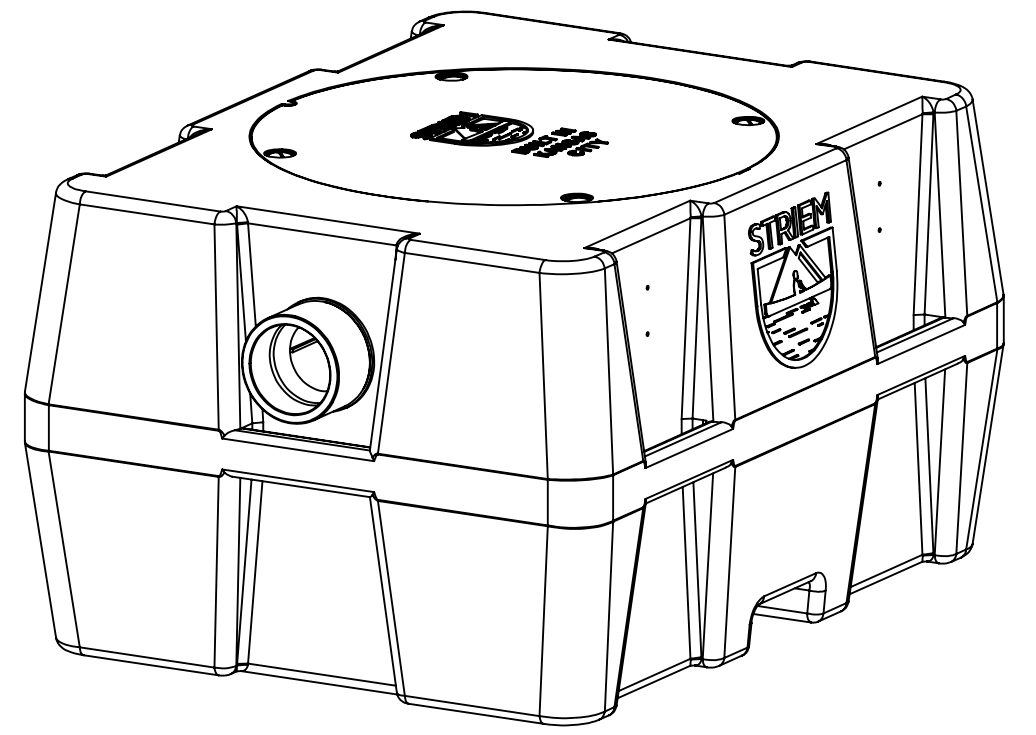
- 2P** - 2" Plain end inlet/outlet
- 2M** - 2" Male thread inlet/outlet
- 3M** - 3" Male thread inlet/outlet
- C** - Course filter screen (openings 0.3" x 0.27")
- M** - Medium filter screen (openings 0.1" x 0.08")
- F** - Fine filter screen (openings 0.03" x 0.025")

RISER OPTIONS

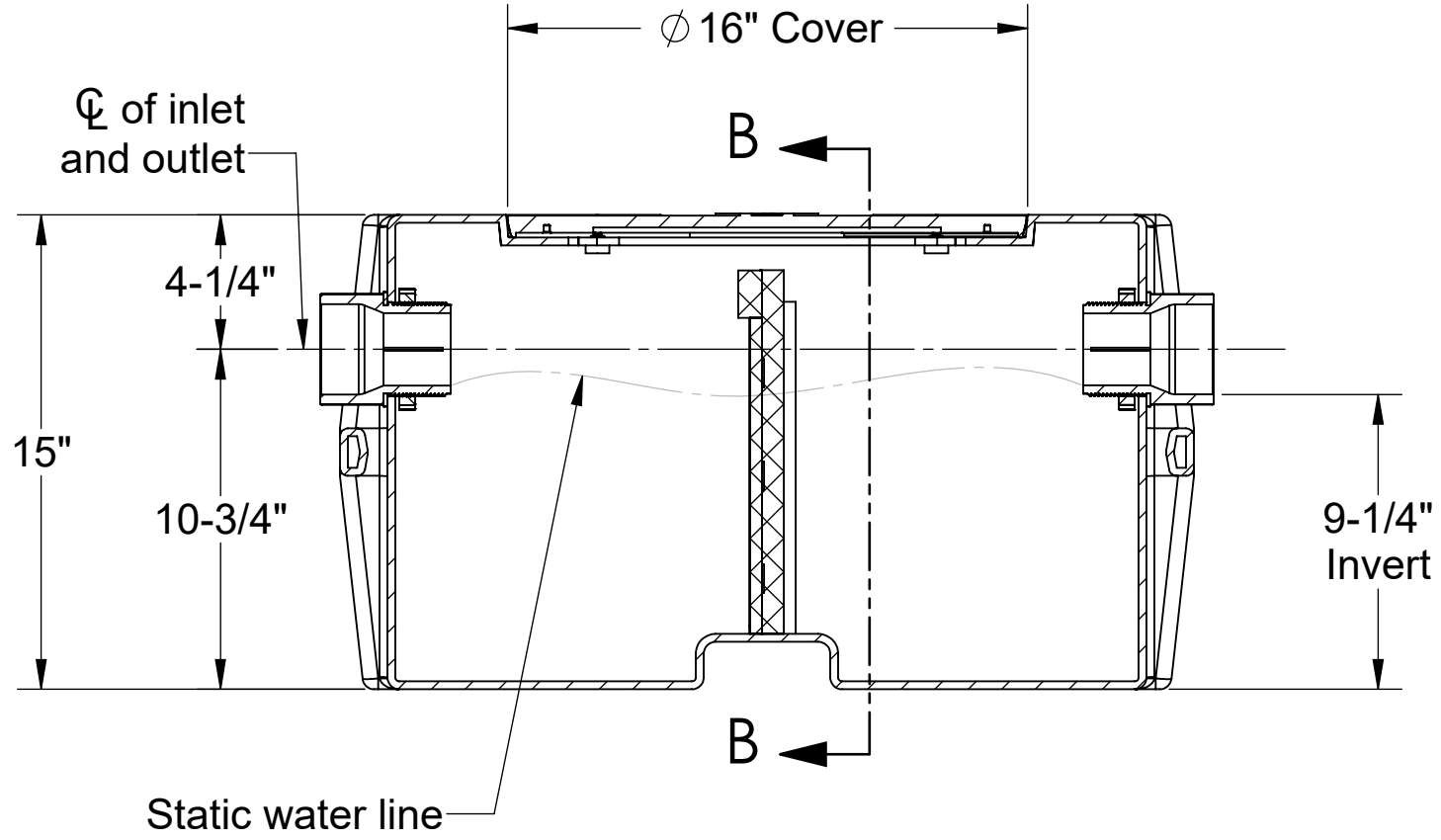
- SR16**: 4"-16" 16 series riser
- CC16**: 4"-16" 16 series riser with integral membrane clamping collar kit



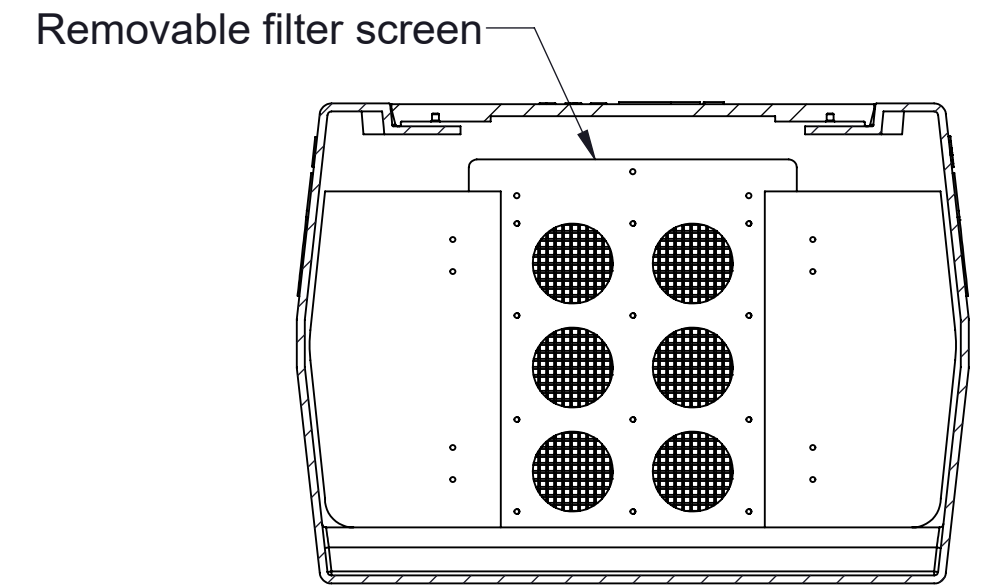
TOP VIEW



ISOMETRIC VIEW



SECTION "A-A"



SECTION "B-B"

MODEL NUMBER:	PS-25-S
DESCRIPTION:	PROSPECTOR SERIES POLYETHYLENE SCREEN STYLE SOLIDS INTERCEPTOR 21 LIQUID GALLON CAPACITY
DWG BY:	WLF
DATE:	2/21/22
REV:	0
ECO:	

SPECIFICATION SHEET

Striem
3100 Brinkerhoff
Kansas City, KS 66115
Tel: 913-222-1500
orders@striemco.com
www.striemco.com



Made in the U.S.A

PROPRIETARY AND CONFIDENTIAL

THE INFORMATION CONTAINED IN THIS DRAWING IS THE SOLE PROPERTY OF STRIEM, LLC. ANY REPRODUCTION IN PART OR AS A WHOLE WITHOUT THE WRITTEN PERMISSION OF STRIEM, LLC. IS PROHIBITED.