

SPECIFICATIONS (PS-275-S)

1. 4" inlet/outlet.
2. Liquid capacity: 250 Gallons.
3. Solids capacity: 210 Gallons.
4. Unit weight w/std. covers: 260 lbs. w/ cast iron covers: 380 lbs.
5. Highway rated composite cover, 16,000 lbs load.
6. Maximum operating temperature 140°F continuous.

NOTES

1. For gravity drainage applications only. Do not use for pressure applications.
2. 3/8" thick seamless polyethylene walls.
3. Unit supplied with built-in adapter(s) for up to 5" of adjustability. Additional riser(s) are also available for deeper burial depth.
4. Cover placement allows full access to tank for proper maintenance.
5. Designed narrow footprint allows clearance through doorways and down stairwells.
6. Internal components are removable for easy maintenance.
7. For on-the-floor or buried applications.

ENGINEER SPECIFICATION GUIDE

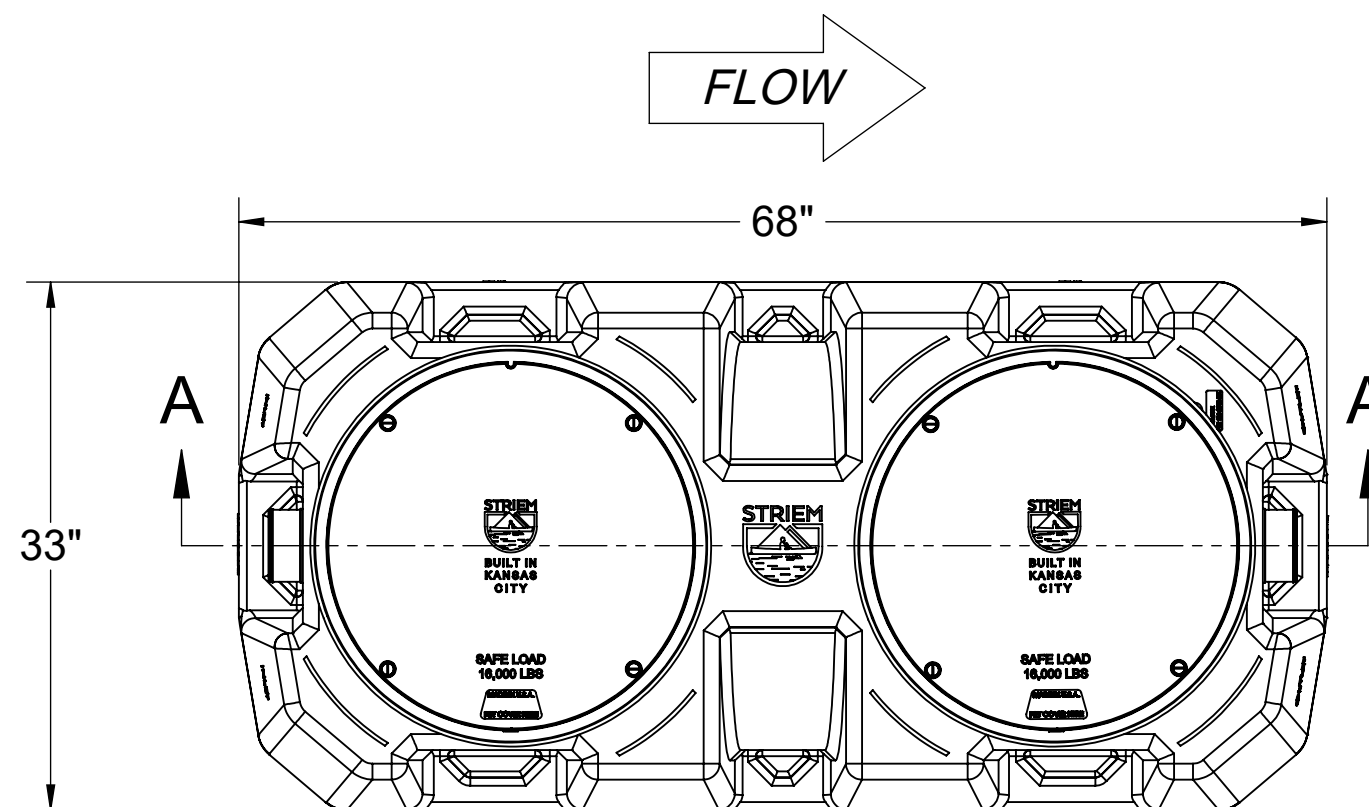
Striem Prospector™ solids interceptor model PS-275-S shall be lifetime guaranteed and Made in USA of seamless, rotationally-molded Medium Density Polyethylene with minimum 3/8" uniform wall thickness. Interceptor shall be furnished for above or below-grade installation. Interceptor shall be furnished with filter screen and connection for extending handle for deep burials. Cover shall provide water/gas-tight seal and have a maximum 16,000 lbs load capacity

OPTIONS

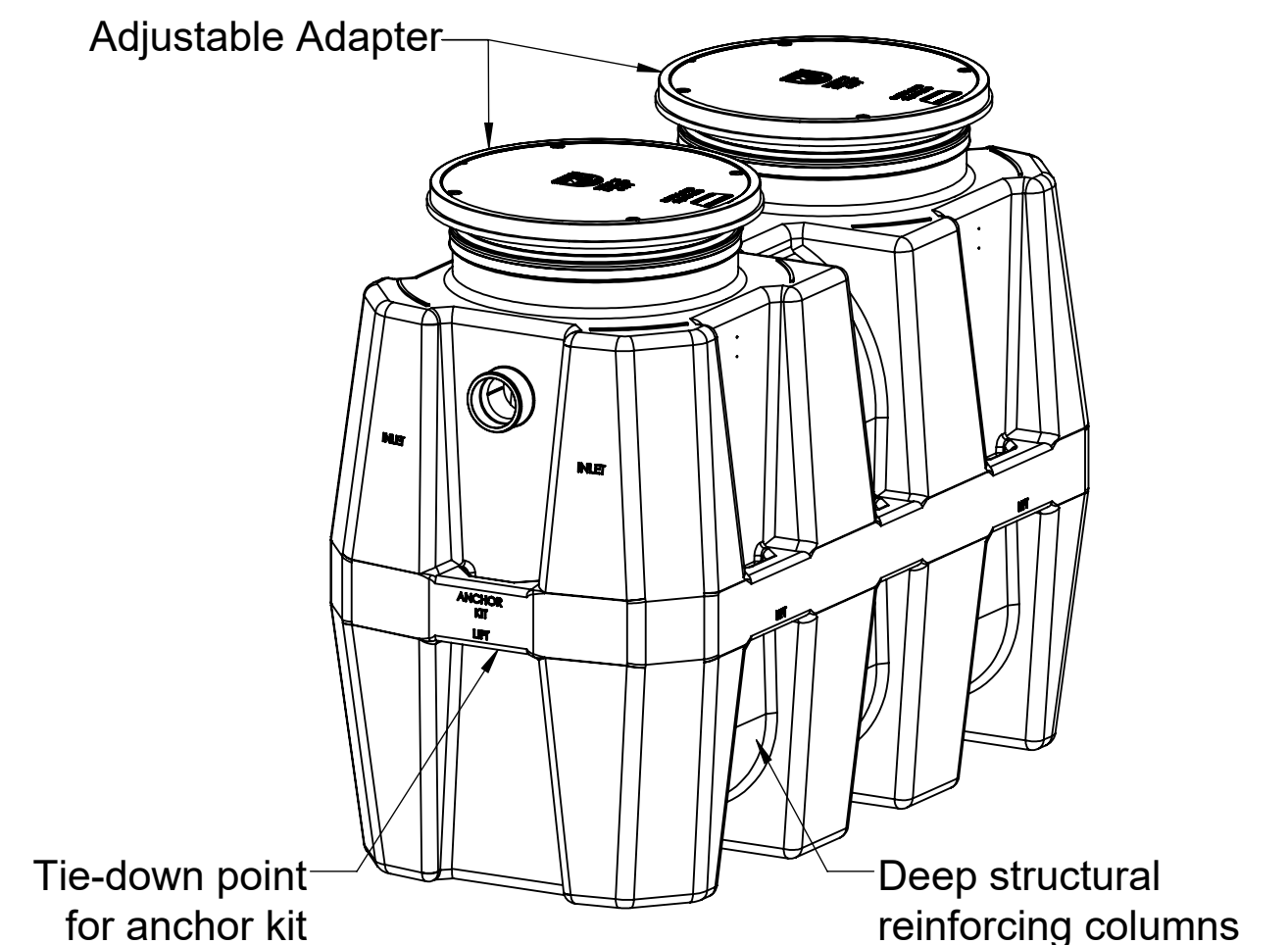
- 4M:** 4" Male thread inlet / outlet
- 6P:** 6" Plain end inlet / outlet
- C24-HP (2):** H20 rated pickable cast iron covers
- HDK-2:** High Water Anchor Kit
- C:** Coarse filter with .30" x .27" openings
- M:** Medium filter with .10" x .08" openings
- F:** Fine filter with .03" x .025" openings

TeleGlide RISER OPTIONS

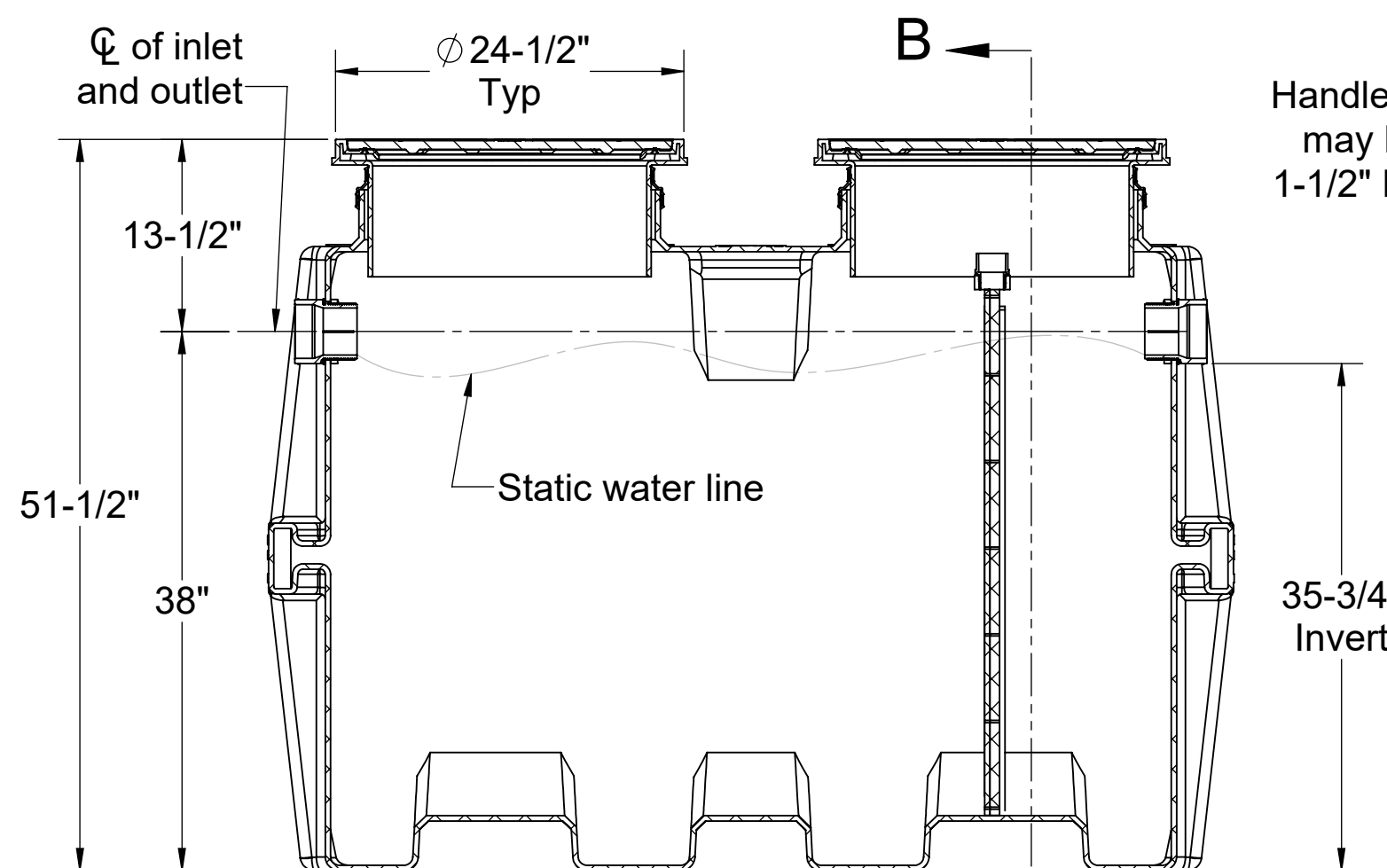
- SR24 (2):** 5"-24"
- LR24 (2):** 24"-39"
- SR24 (4):** 39"-43"
- SR24 (2) + LR24 (2):** 43"-58"
- LR24 (4):** 58"-72"
- SR24 (2) + LR24 (4):** 72"-90"



TOP VIEW

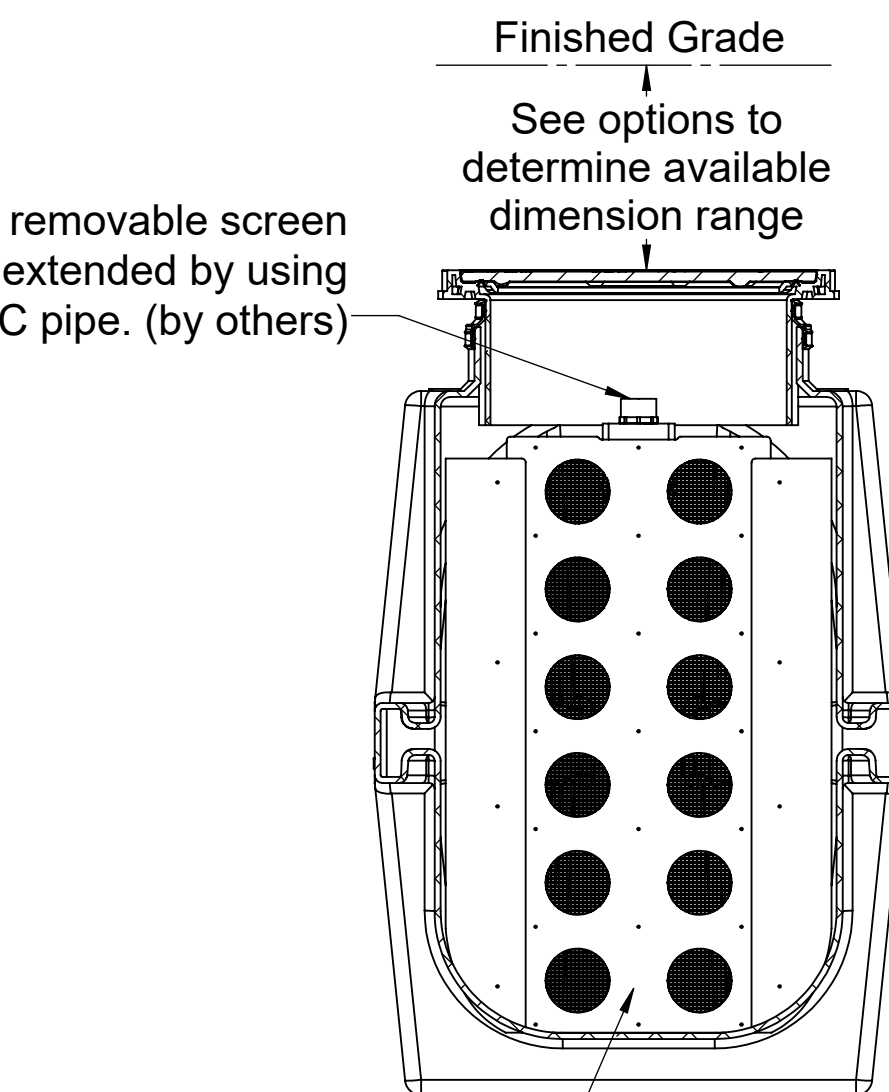


ISOMETRIC VIEW



SECTION A-A

Handle of removable screen may be extended by using 1-1/2" PVC pipe. (by others)



SECTION B-B

MODEL NUMBER: PS-275-S	
DESCRIPTION: PROSPECTOR SERIES POLYETHYLENE SCREEN STYLE SOLIDS INTERCEPTOR 250 LIQUID GALLON CAPACITY	
DWG BY: WLF	DATE: 2/24/22
REV: 0	ECO:

SPECIFICATION SHEET

Striem
3100 Brinkerhoff
Kansas City, KS 66115
Tel: 913-222-1500
orders@striemco.com
www.striemco.com



Made in the U.S.A

PROPRIETARY AND CONFIDENTIAL

THE INFORMATION CONTAINED IN THIS DRAWING IS THE SOLE PROPERTY OF STRIEM, LLC. ANY REPRODUCTION IN PART OR AS A WHOLE WITHOUT THE WRITTEN PERMISSION OF STRIEM, LLC. IS PROHIBITED.