

SPECIFICATIONS

1. 2" Plain End inlet/outlet shown.
2. Liquid capacity: 1.2 Gallons.
3. Unit weight: 7 lbs.
4. Perforation size: 1/8" openings.
5. Max. operating temperature: 140 °F continuous.

NOTES

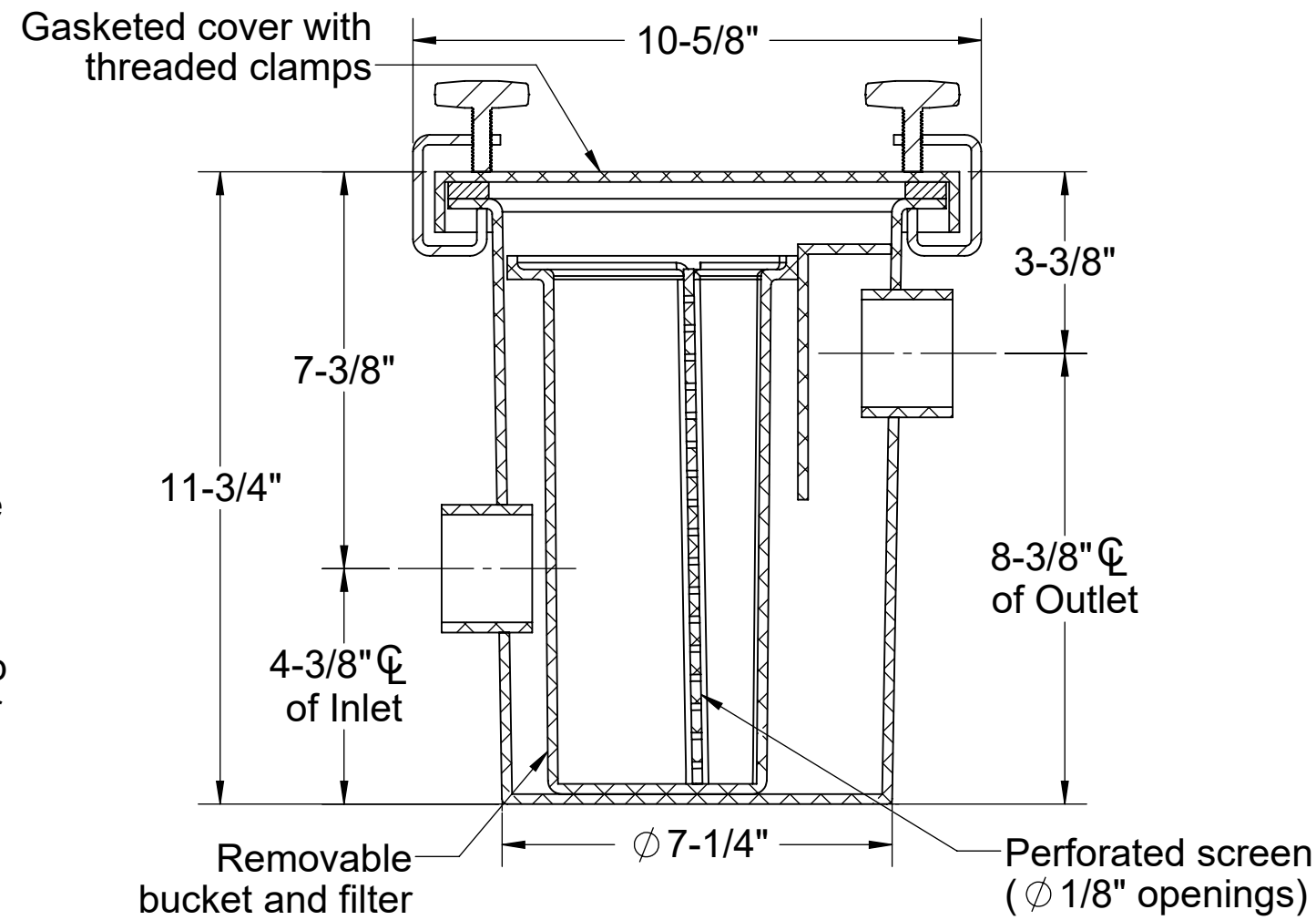
1. For gravity drainage applications only.
2. Do not use for pressure applications.
3. Removable debris bucket with removable screen.
4. Built-in sewer gas trap.
5. Watertight up to 36" of head.
6. Clearance height required to pull basket: 11-1/2".

ENGINEER SPECIFICATION GUIDE

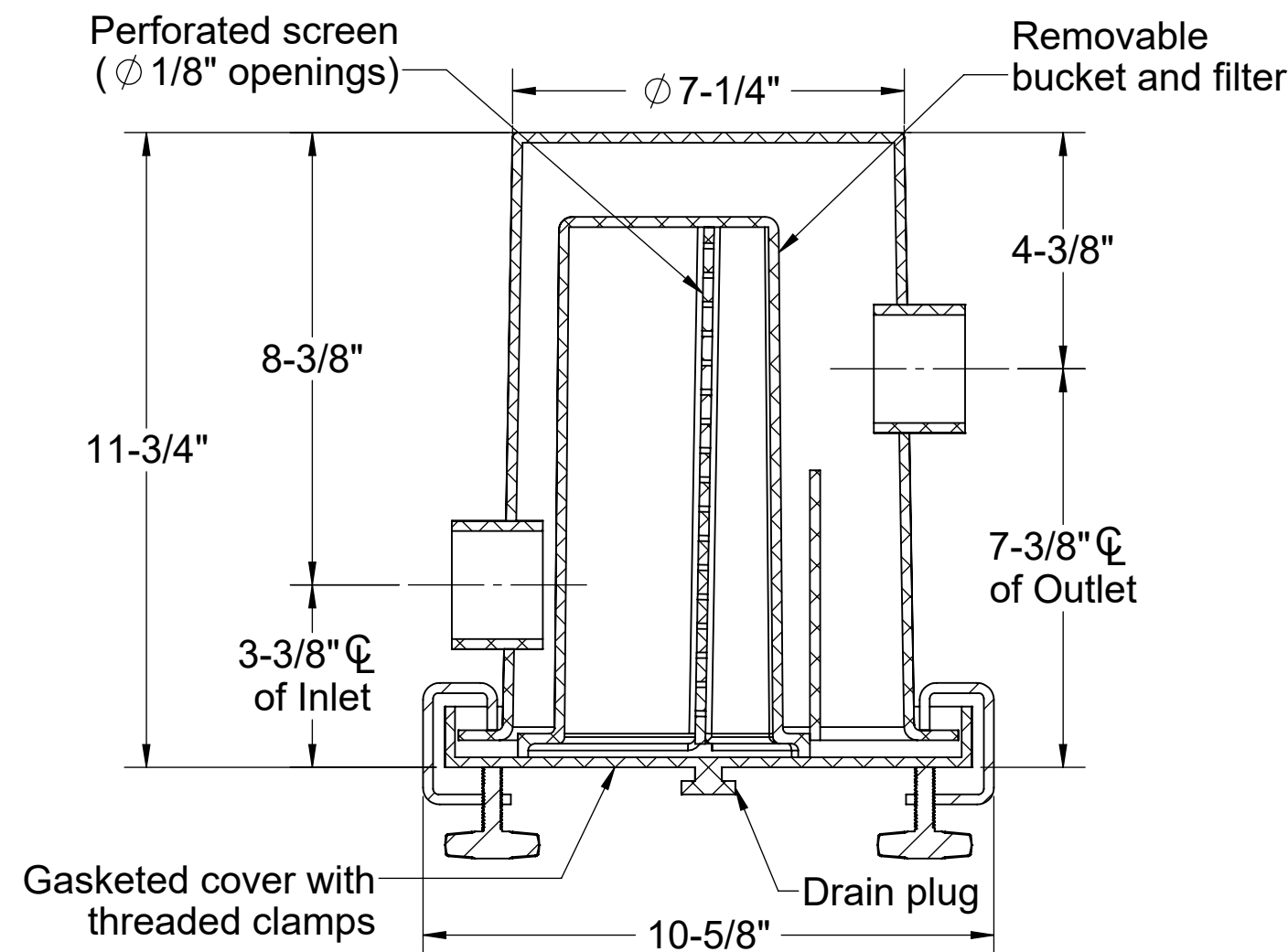
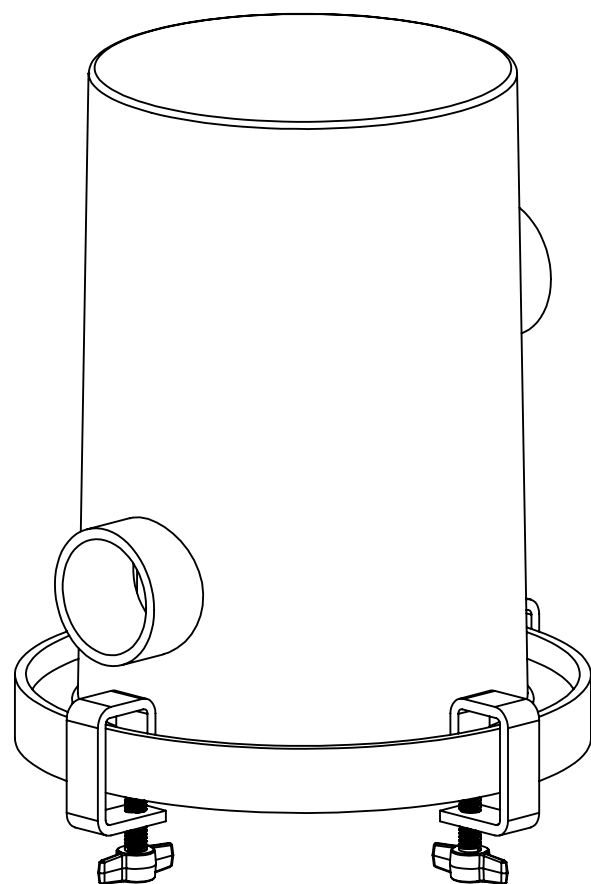
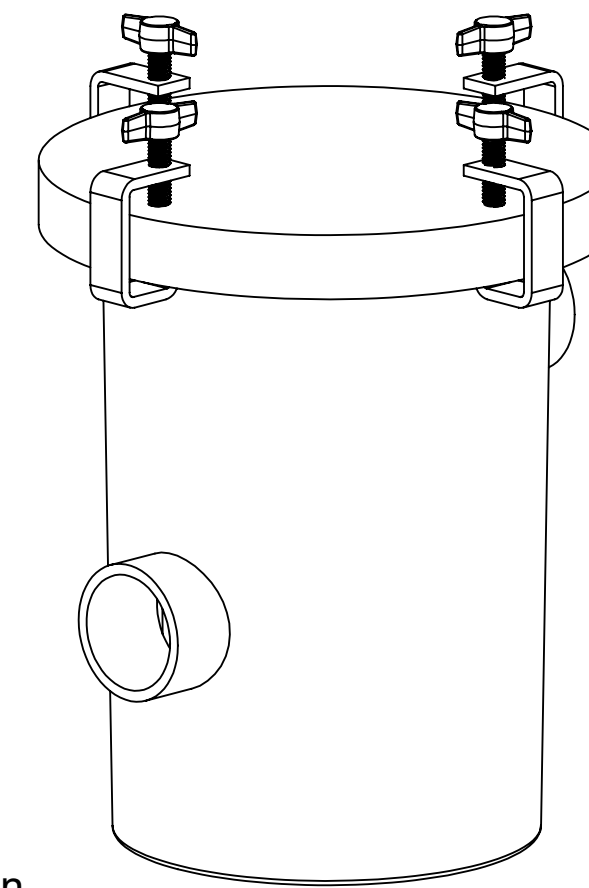
Striem solids interceptor model USI-1180/1184 shall be lifetime guaranteed and made in the USA. Interceptor shall be constructed of polyethylene. Interceptor is manufactured for above-grade installation. Interceptor shall have a removable polyethylene bucket and filter. Interceptor shall be watertight up to 36" of head, and contain a built-in sewer gas trap. Interceptor shall have gasketed cover with hand thread clamps.

SELECT CONFIGURATION

- USI-1180-1: 1-1/2" Plain End Fittings
- USI-1180-2: 2" Plain End Fittings
- USI-1184-1: 1-1/2" Plain End Fittings
- USI-1184-2: 2" Plain End Fittings



USI-1180



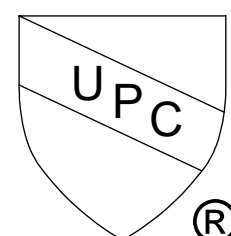
USI-1184

Signature: _____

Date: _____

Company: _____

Project: _____



PROPRIETARY AND CONFIDENTIAL
 THE INFORMATION CONTAINED IN THIS DRAWING IS THE SOLE PROPERTY OF STRIEM, LLC.
 ANY REPRODUCTION IN PART OR AS A WHOLE WITHOUT THE WRITTEN PERMISSION OF STRIEM, LLC. IS PROHIBITED.

MODEL NUMBER: USI-1180/USI-1184

DESCRIPTION:
 POINT OF USE
 POLYETHYLENE SOLIDS INTERCEPTOR
 1.2 GALLON LIQUID HOLDING CAPACITY

DWG BY: ENG **DATE:** 5/5/2023 **REV:** 0

SPECIFICATION SHEET

Striem
 Kansas City, KS
 Tel: 913-222-1500
 orders@striemco.com
 www.striemco.com

Made in the U.S.A

