

SPECIFICATIONS

1. 4" Plain End inlet/outlet, 3" Plain end vents.
2. Max flow rate: 100 GPM.
3. Capacities: Liquid: 250 gal. (33.4 cu. ft.); Oil: 144 gal.; Sand: 95 gal.
4. Unit weight w/ composite cover: 230 lbs.; w/ cast iron cover: 346 lbs.
5. Maximum operating temperature 140 °F continuous.
6. Highway rated covers: 16,000 lb. capacity.
7. Slick Stick™ Oil Level Monitoring System (see page 2).

NOTES

1. Snap-in Flow control (ships with unit).
2. Seamless medium density polyethylene tank.
3. Unit supplied with built-in adapter for up to 3-1/2" of adjustability. Additional riser(s) available for deeper burial depth.
4. Cover placement allows full access to tank for proper maintenance.
5. Narrow footprint allows clearance through doorways and down stairs.
6. Engineered inlet and outlet diffusers are removable to inspect/clean piping.
7. For on-the-floor or buried applications.

DIFFUSION FLOW TECHNOLOGY

The inlet diffuser splits influent into three paths, creating laminar flow and utilizing the entire liquid volume of the tank for efficient oil separation. The calibrated openings greatly reduce influent turbulence. The influent enters the main chamber without disturbing the existing oil or sand layers. The bottom of the outlet diffuser allows only effluent that is free of oil to exit the tank.

ENGINEER SPECIFICATION GUIDE

Striem Oil Reserve™ oil/sand separator model OS-100-SS shall be lifetime guaranteed and made in USA of seamless, rotationally-molded polyethylene. Separator shall be furnished for above or below grade installation, with field adjustable riser system, snap-in flow control, (2) vent connections, and oil level monitoring system. Separator flow rate shall be 100 GPM. Separator oil capacity shall be 144 gallons. Sand capacity shall be 95 gallons. Covers shall provide water/gas-tight seal and have a maximum 16,000 lbs load capacity.

THIRD PARTY STRUCTURAL ANALYSIS

The OS-100-SS has been structurally analyzed in accordance with the requirements of IBC 2012/2015 and ASCE/SEI 7 for direct burial. The maximum burial depth and backfill material are specified in our installation instructions. The structural design has been reviewed and sealed by a professional engineer registered in the state of California. A sealed structural analysis report is available upon request.

OPTIONS

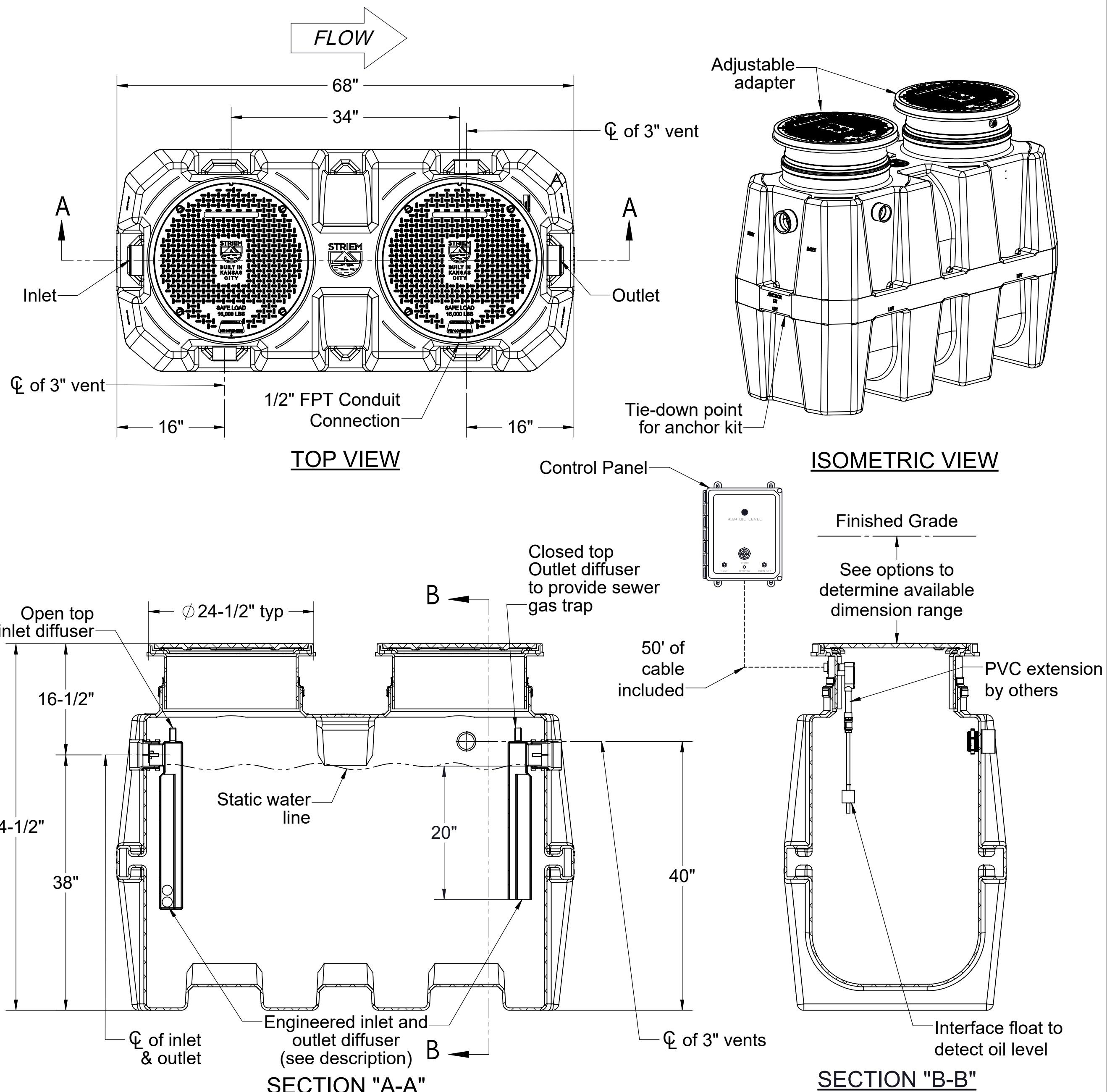
- 4M** - 4" Male Thread Inlet / Outlet
- 6P** - 6" Plain End SCH.40 Inlet / Outlet
- 6M** - 6" Male Thread Inlet / Outlet
- C24-HP (2)** - H20 Rated Pickable Cast Iron Cover
- CC24 (2)** - Integral Membrane Clamping Collar Kit
- CS3** - Clean Sweep Coalescing Media (single)
- AK1** - High Water Anchor Kit

TeleGlide RISER OPTIONS

- SR24 (2)** - >3-1/2"-22"
- LR24 (2)** - >22"-37"
- SR24 (4)** - >37"-41"
- SR24 (2) + LR24 (2)** - >41"-56"
- LR24 (4)** - >56"-70"

PROPRIETARY AND CONFIDENTIAL

THE INFORMATION CONTAINED IN THIS DRAWING IS THE SOLE PROPERTY OF STRIEM, LLC. ANY REPRODUCTION IN PART OR AS A WHOLE WITHOUT THE WRITTEN PERMISSION OF STRIEM, LLC. IS PROHIBITED.



MODEL NUMBER: OS-100-SS	
DESCRIPTION: 100 GPM POLYETHYLENE OIL/SAND SEPARATOR WITH SLICK STICK™ OIL LEVEL MONITORING SYSTEM	
DWG BY: MJ	DATE: 06/29/2020
REV: 02	ECO:

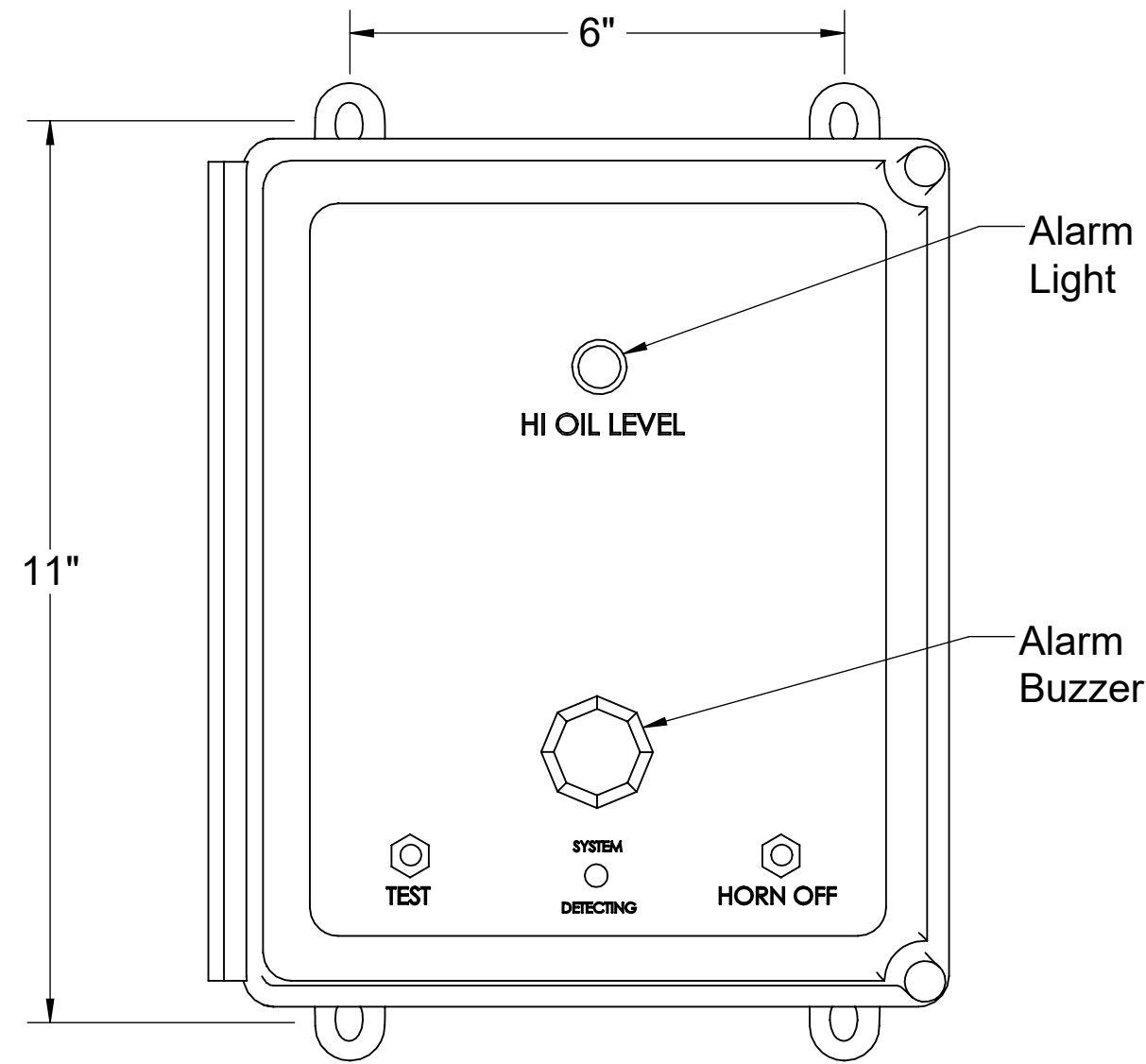
SPECIFICATION SHEET

Striem
3100 Brinkerhoff
Kansas City, KS 66115
Tel: 913-222-1500
Fax: 913-291-0457
www.striemco.com

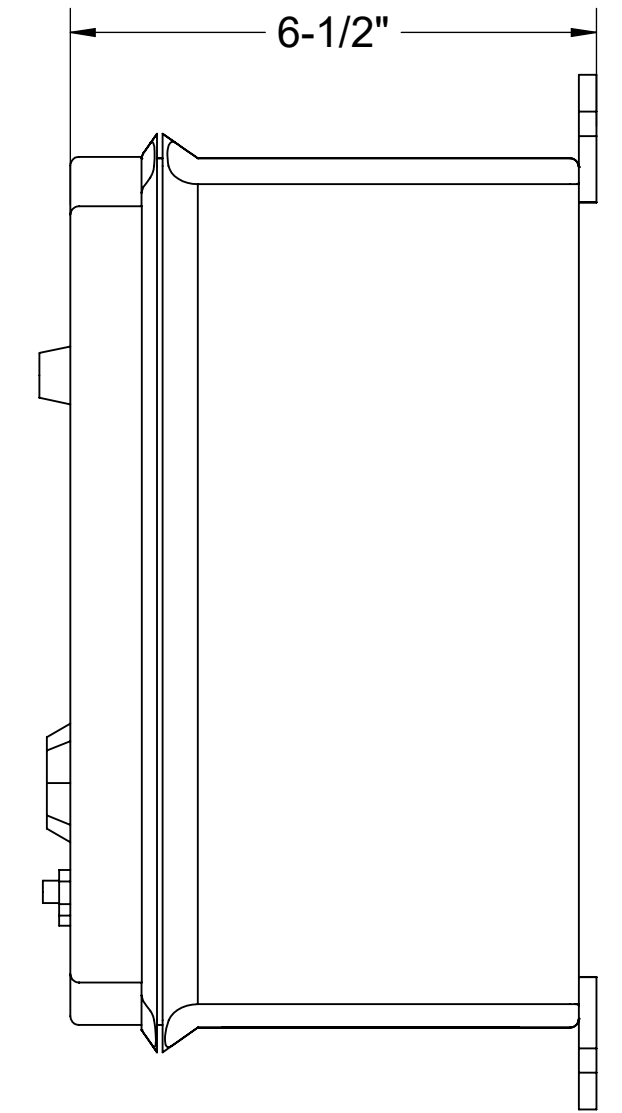
Made in the U.S.A

SPECIFICATIONS

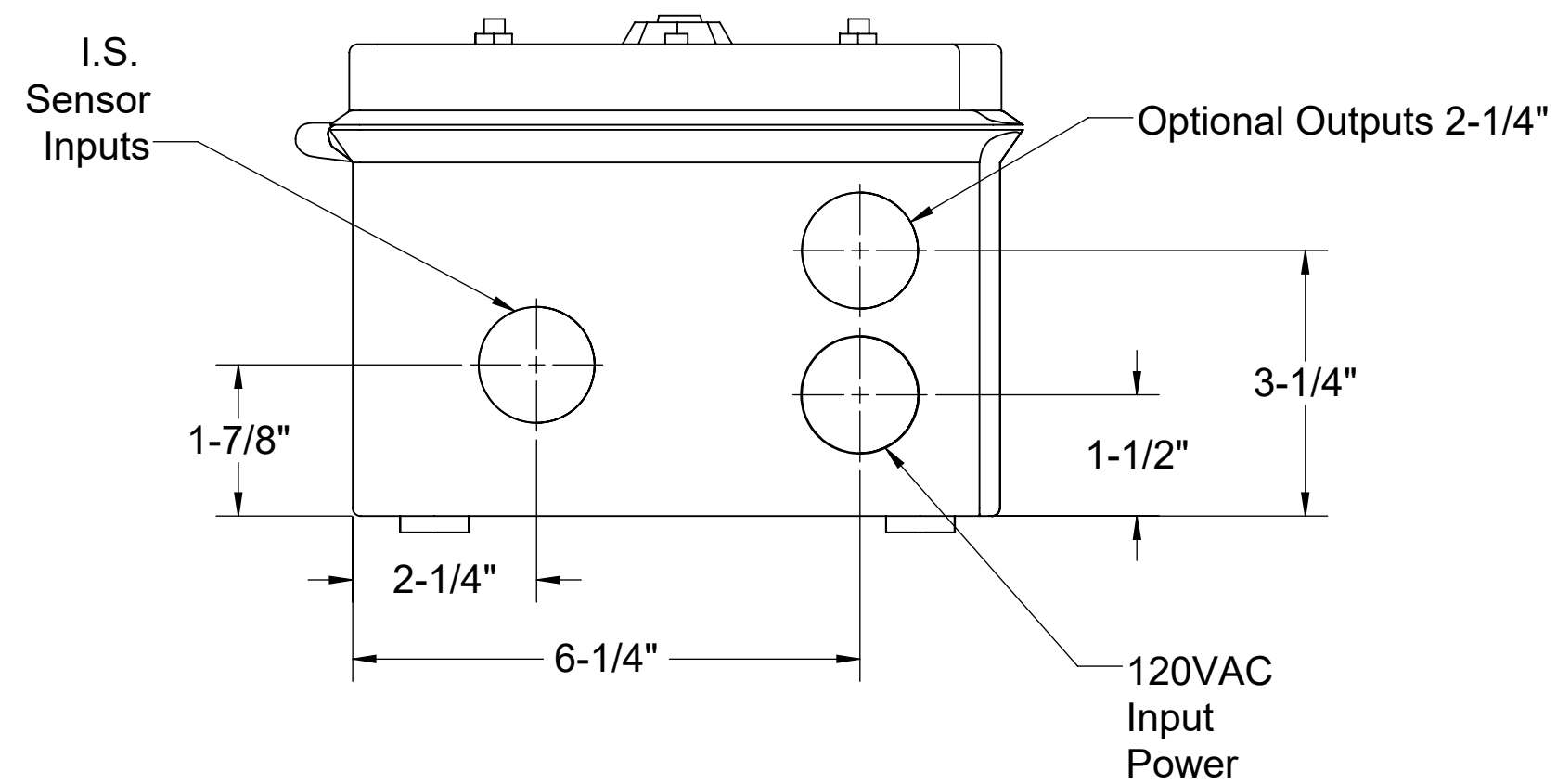
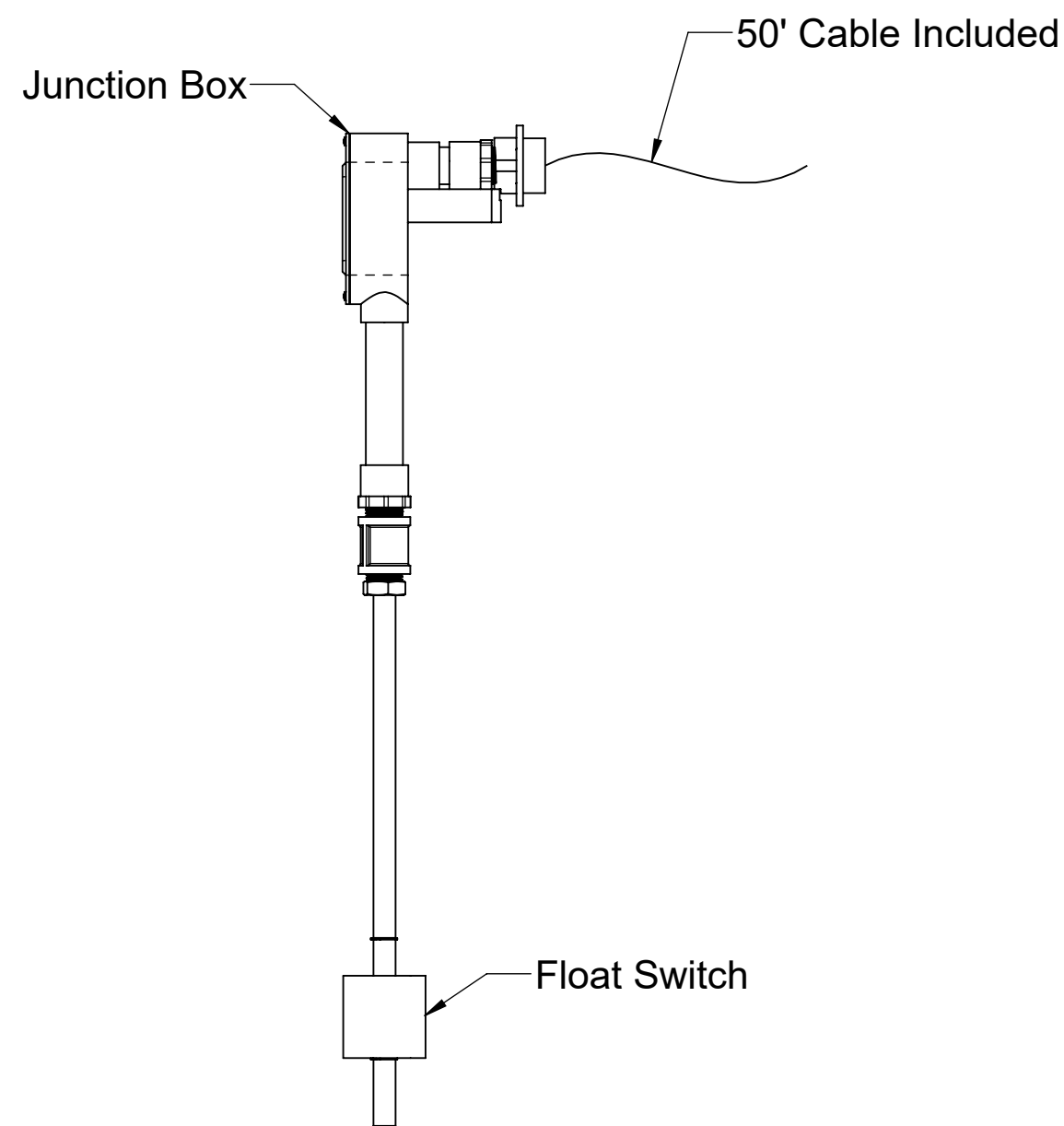
1. UL Listed
2. Provides warning of high oil level conditions with interface float.
3. Single phase, 120 volt, 60 hertz power required.
4. NEMA 4X fiberglass, corrosion resistant, weatherproof enclosure suitable for outdoor use and damp environments.
5. Audible Alarm Buzzer, 95dB pulsing horn with no timeout.
6. High Oil Light, indicates oil has accumulated below the oil interface float or the tank liquid level is below the High Oil Interface Float.
7. Power On light inside enclosure. Visible from the outside.
8. Green light indicates the power is on.
9. Horn off button that silences the audible alarm when pressed.
10. Test button that when pressed will test the system electronics.
11. Locking clasp on door.
12. Alarm bell stays on until reset. Light stays on until reset, even if level goes down.
13. Unit comes supplied with extra dry contact for connection to a building alarm system.



FRONT VIEW



LEFT VIEW



BOTTOM VIEW

MODEL NUMBER: 8056-001-01		SPECIFICATION SHEET			
DESCRIPTION: SLICK STICK™ OIL LEVEL MONITORING SYSTEM FOR OS-50, OS-75, OS-100, OS-750, OS-1000 & OS-1500					
DWG BY: MJ	DATE: 06/29/2020	REV: 02	ECO:	Striem 3100 Brinkerhoff Kansas City, KS 66115 Tel: 913-222-1500 Fax: 913-291-0457 www.striemco.com Made in the U.S.A	

PROPRIETARY AND CONFIDENTIAL

THE INFORMATION CONTAINED IN THIS DRAWING IS THE SOLE PROPERTY OF STRIEM, LLC. ANY REPRODUCTION IN PART OR AS A WHOLE WITHOUT THE WRITTEN PERMISSION OF STRIEM, LLC. IS PROHIBITED.

Installation Guidelines:

1. The Slick Stick™ interface float and alarm panel will ship separately from the tank.
2. Install the 1/2" FPT brass coupling to the end of the Slick Stick™ interface float. Thread the 1/2" MPT x socket PVC fitting into the 1/2" FPT brass coupling.
3. If the tank is to be installed above grade, or without any adjustment to the adapter, install a length of 1/2" sch. 40 PVC pipe between the bottom of the junction box and the top of the 1/2" MPT x socket PVC fitting. Choose the length from Table 1 that corresponds with the unit, and oil capacity to be monitored.
4. If the tank is buried, and the adapter will be adjusted upward and/or risers will be used, add the total upward extension dimension to the length determined from Table 1 to determine total length of 1/2" PVC pipe length. For example, assume an OS-75 is being installed below grade and requires 26" of riser extension. Assume you want the control panel to alarm when the oil capacity reaches 70% of the total oil capacity. The length of the 1/2" PVC pipe extension should be 26" (riser depth) + 10" (from Table 1) = 36".
5. Run interface float wiring through 1/2" PVC pipe and into the bottom of the junction box inside the adapter. Connect wiring to alarm panel (see wire diagram).

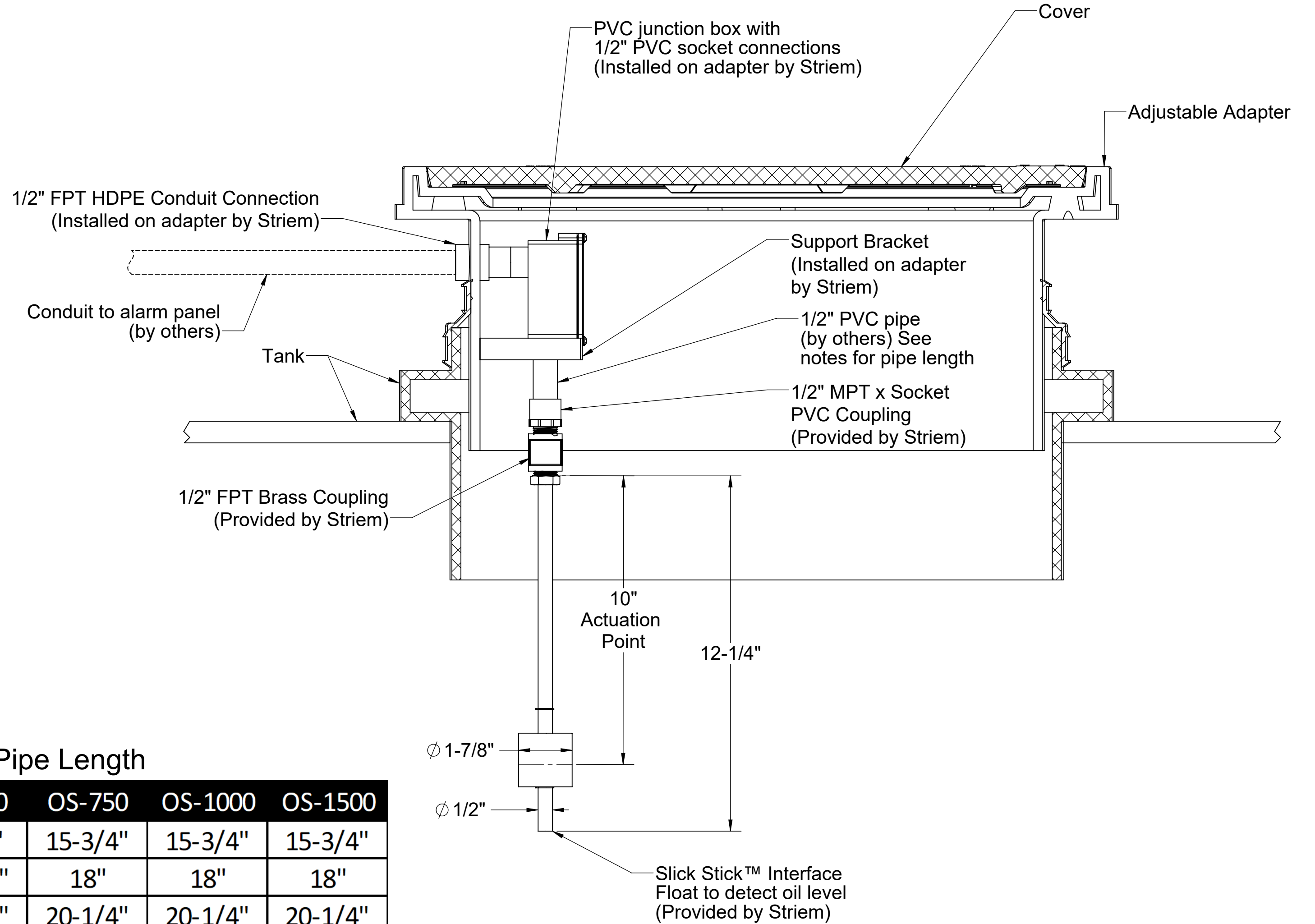


Table 1: 1/2" PVC Pipe Length

Oil Capacity	OS-50	OS-75	OS-100	OS-750	OS-1000	OS-1500
50%	1-1/2"	6-5/8"	9-5/8"	15-3/4"	15-3/4"	15-3/4"
60%	2-3/8"	8-1/4"	11-1/2"	18"	18"	18"
70%	3-3/8"	10"	13-1/4"	20-1/4"	20-1/4"	20-1/4"
80%	4-3/8"	12"	15"	22-1/2"	22-1/2"	22-1/2"
90%	5-1/2"	13-7/8"	18-3/4"	24-1/2"	24-1/2"	24-1/2"

DESCRIPTION:

**SLICK STICK™
INTERFACE FLOAT
INSTALLATION GUIDELINES**

Striem
3100 Brinkerhoff
Kansas City, KS 66115
Tel: 913-222-1500
Fax: 913-291-0457
www.striemco.com



Made in the U.S.A

DWG BY: MJ DATE: 06/29/2020 REV: 02 ECO: