

SPECIFICATIONS

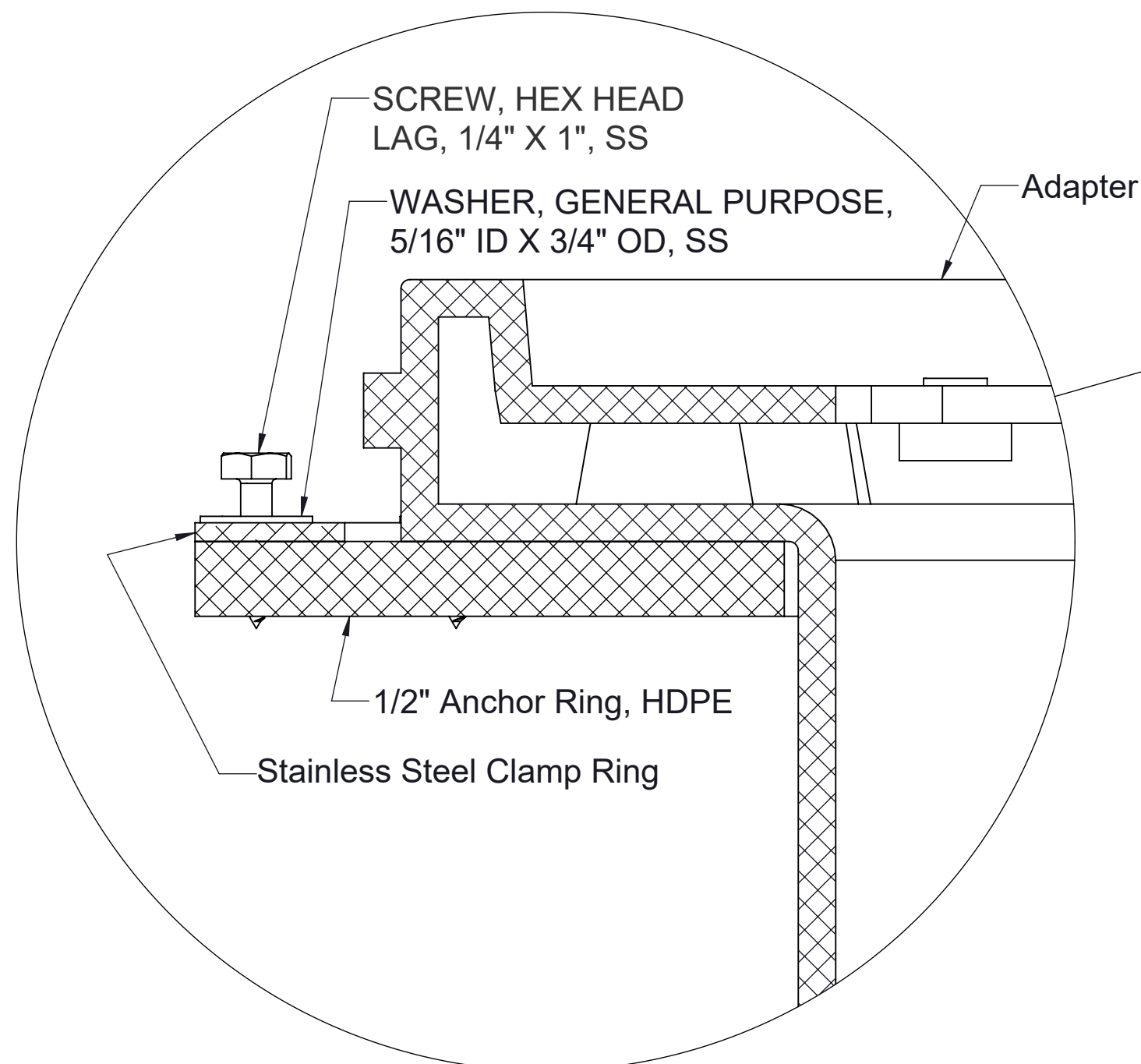
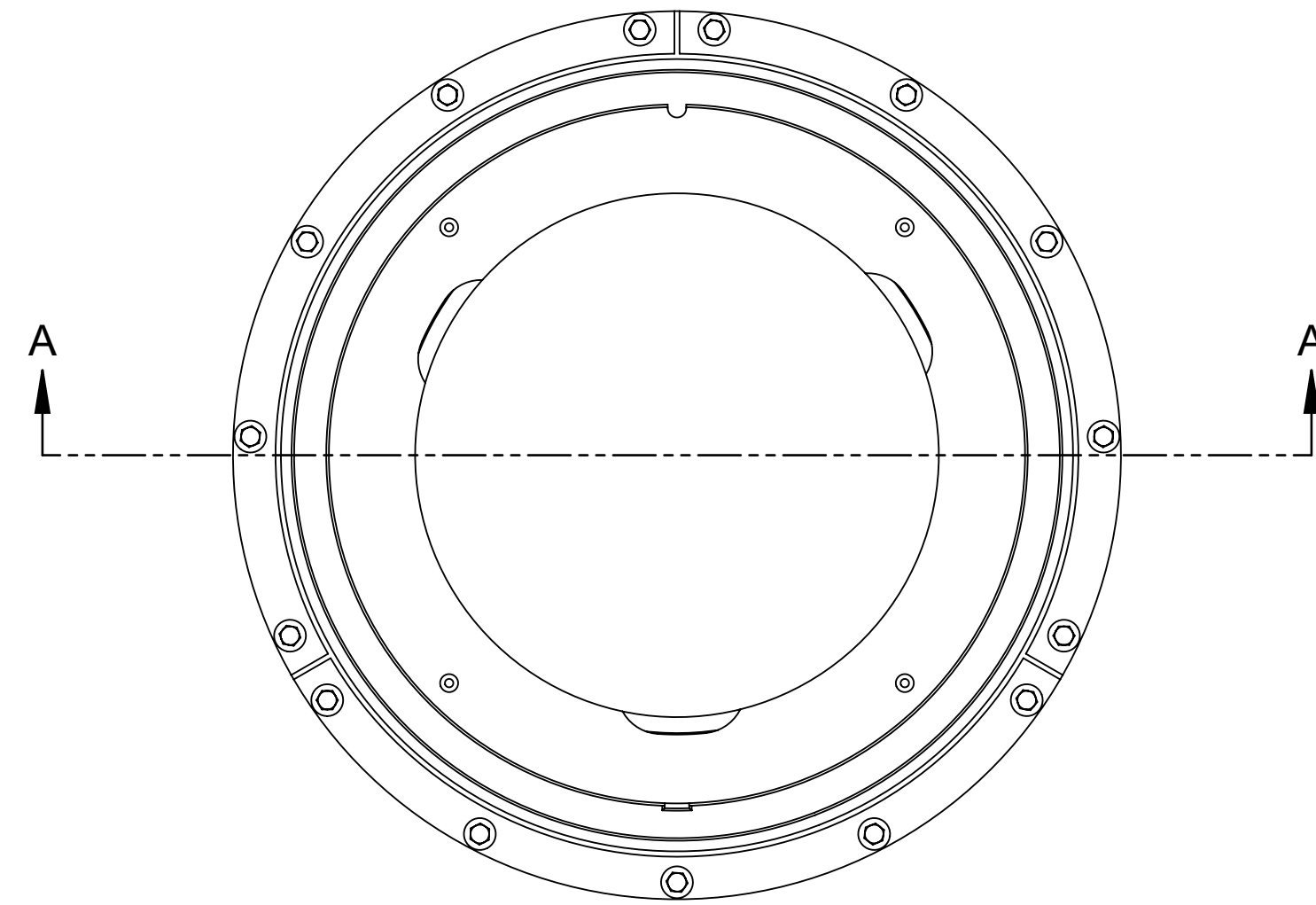
1. Molded polyethylene body.
2. Stainless Steel clamping ring.

ENGINEER SPECIFICATION GUIDE

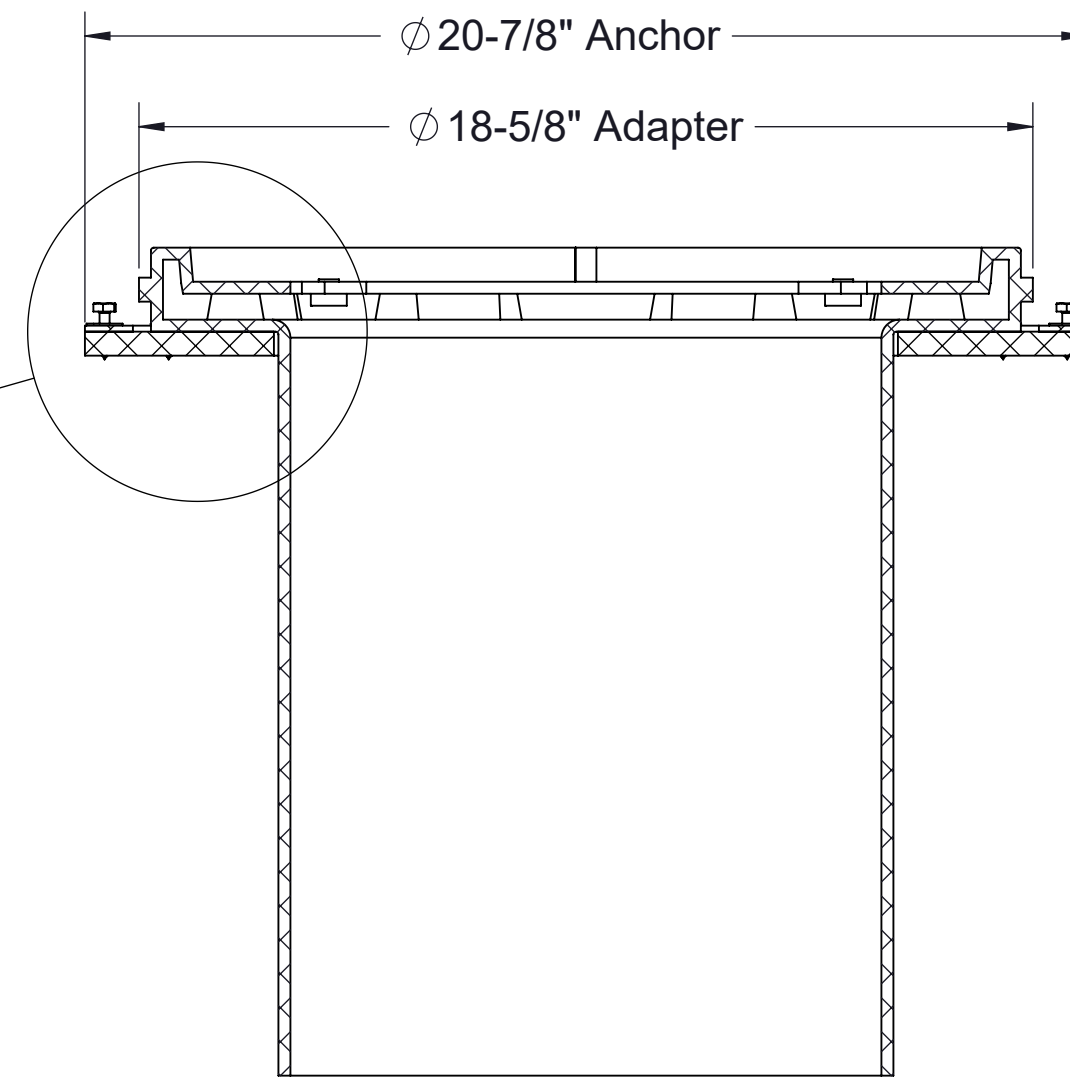
Clamping Collar Kit to consist of rotationally molded polyethylene body, and precision cut clamping ring.

INSTALLATION

1. Remove clamp ring.
2. Install membrane (by others).
3. Reinstall clamp ring.



DETAIL B
SCALE 1 : 1



SECTION A-A

MODEL NUMBER: CC16	
DESCRIPTION: 16 SERIES ADAPTER WITH 3 PIECE STAINLESS STEEL CLAMPING RING	
DWG BY: RS	DATE: 4/27/20
REV:	ECO:

SPECIFICATION SHEET

Striem
Kansas City, KS 66115
Tel: 913-222-1500
Fax: 913-291-0457
www.striemco.com

Made in the U.S.A



PROPRIETARY AND CONFIDENTIAL

THE INFORMATION CONTAINED IN THIS DRAWING IS THE SOLE PROPERTY OF STRIEM, LLC. ANY REPRODUCTION IN PART OR AS A WHOLE WITHOUT THE WRITTEN PERMISSION OF STRIEM, LLC IS PROHIBITED.