

SPECIFICATIONS

1. 2" Plain inlet, no outlet, 3" Plain vents.
2. Oil capacity: 57 Gallons (7.6 cu ft).
3. Unit weight w/std. covers: 68 lbs.
4. Maximum operating temperature: 140°F continuous.
5. Pedestrian rated cover: 2,000 lb. capacity.

NOTES

1. Seamless polyethylene tank.
2. Unit supplied with built-in adapter(s) for up to 2" of adjustability. Additional riser(s) available for deeper burial depth.
3. Cover placement allows full access to tank for proper maintenance.
4. Narrow footprint allows clearance through doorways and down stairwells.
5. For on the-floor or buried applications.

ENGINEER SPECIFICATION GUIDE

Striem Oil Reserve™ oil collection tank model OCT-50 shall be lifetime guaranteed and made in USA of seamless, rotationally-molded Polyethylene with minimum 3/8" uniform wall thickness. Separator shall be furnished for above or below grade installation, with field adjustable riser system, 2" Plain inlet line and 3" Plain vent connections. Oil collection tank shall have an oil storage capacity of 57 gallons. Cover shall provide water/gas-tight seal and have maximum 2,000 lbs load capacity.

THIRD PARTY STRUCTURAL ANALYSIS

The OCT-50 has been structurally analyzed in accordance with the requirements of IBC 2012 and ASCE/SEI 7 for direct burial. The maximum burial depth and backfill material are specified in our installation instructions. The structural design has been reviewed and sealed by a professional engineer registered in the state of California. A sealed structural analysis report is available upon request.

OPTIONS

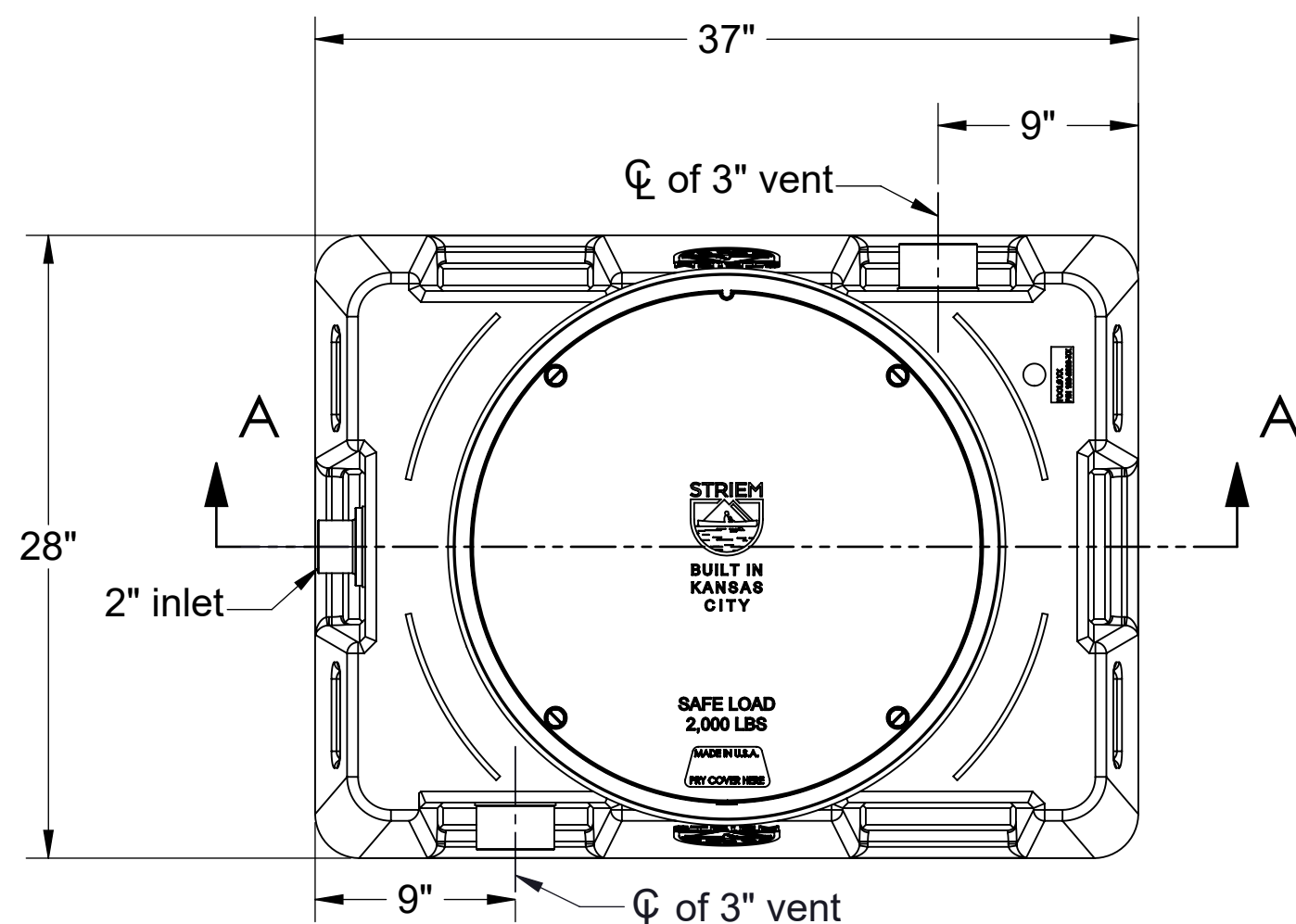
- 2M:** 2" Male Thread Inlet
- 3P:** 3" Plain End Inlet
- 3M:** 3" Male Thread Inlet
- 4P:** 4" Plain End Inlet
- 4M:** 4" Male Thread Inlet
- C24-H:** Highway Rated Composite Cover
- C24-HP:** H20 Rated Pickable Cast Iron Cover
- CC24:** Integral Membrane Clamping Collar Kit
- HDK-2:** High Water Anchor Kit
- AVA-3:** Single Level Monitoring Package*
- AVA-4:** Multi-Level Monitoring Package*

*Monitoring packages will raise covers by 3".

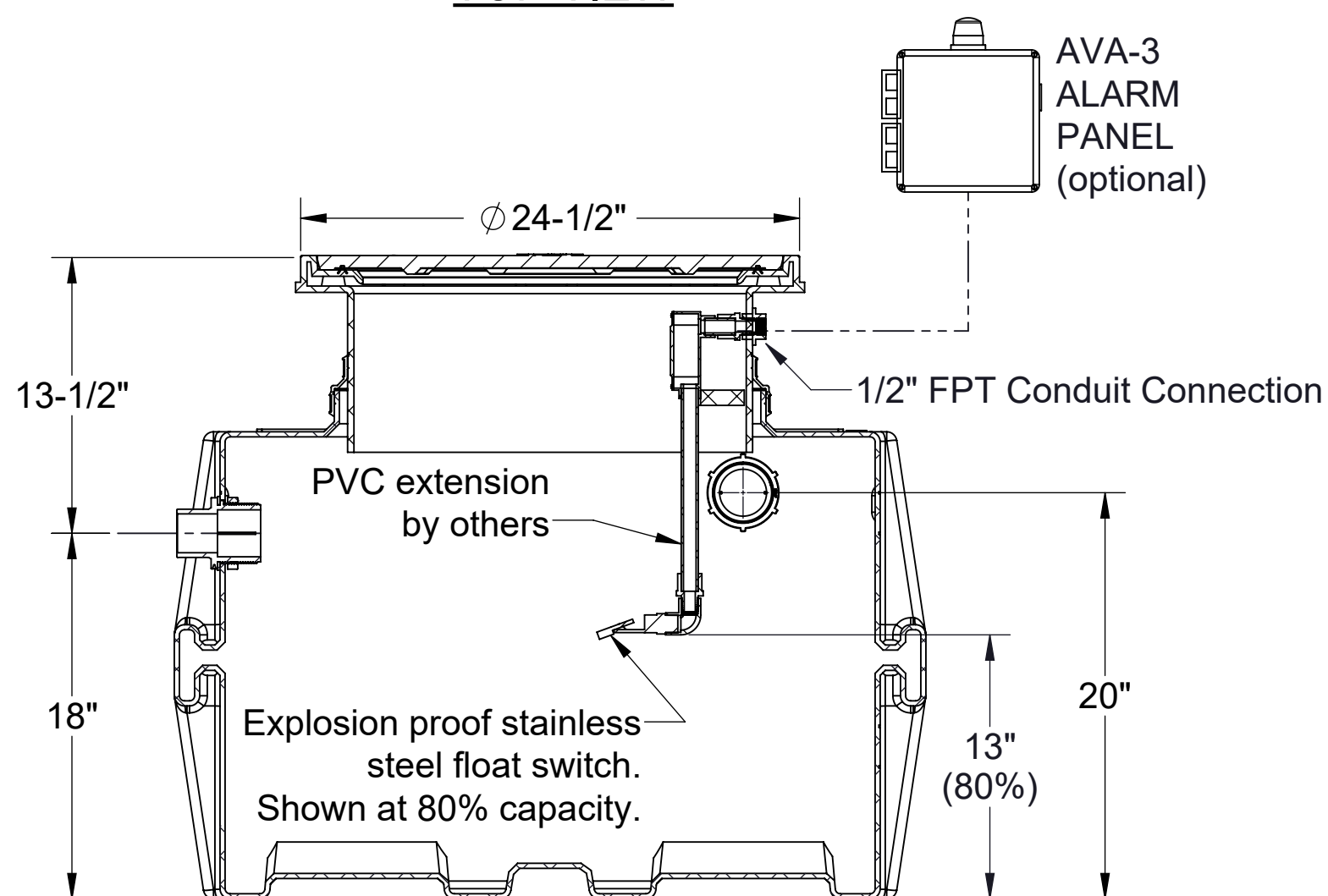
TeleGlide RISER OPTIONS

- Included: 0" - 2"
- SR24:** 5" - 24"
 - LR24:** 24" - 39"

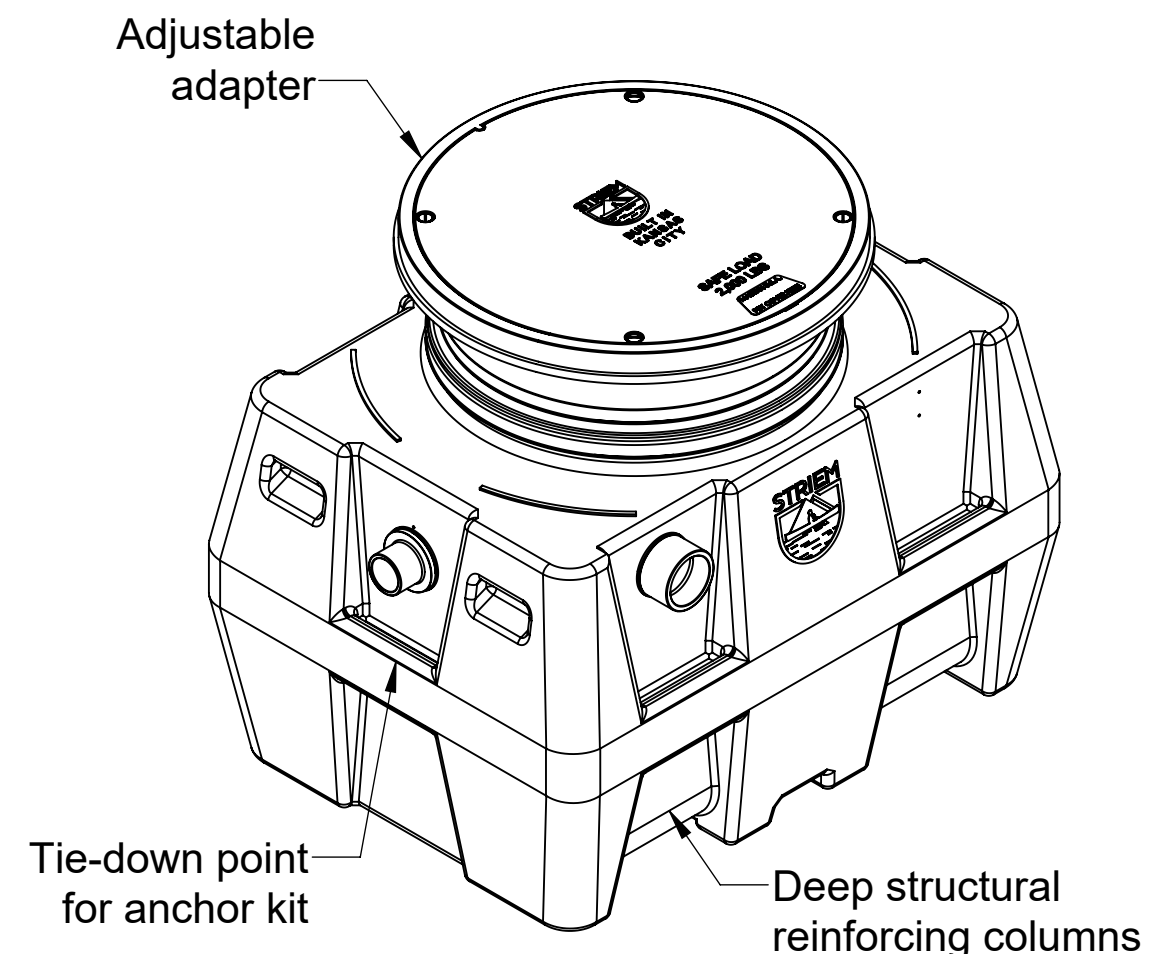
*If in the range of 2"-5", contact Striem for a custom solution.



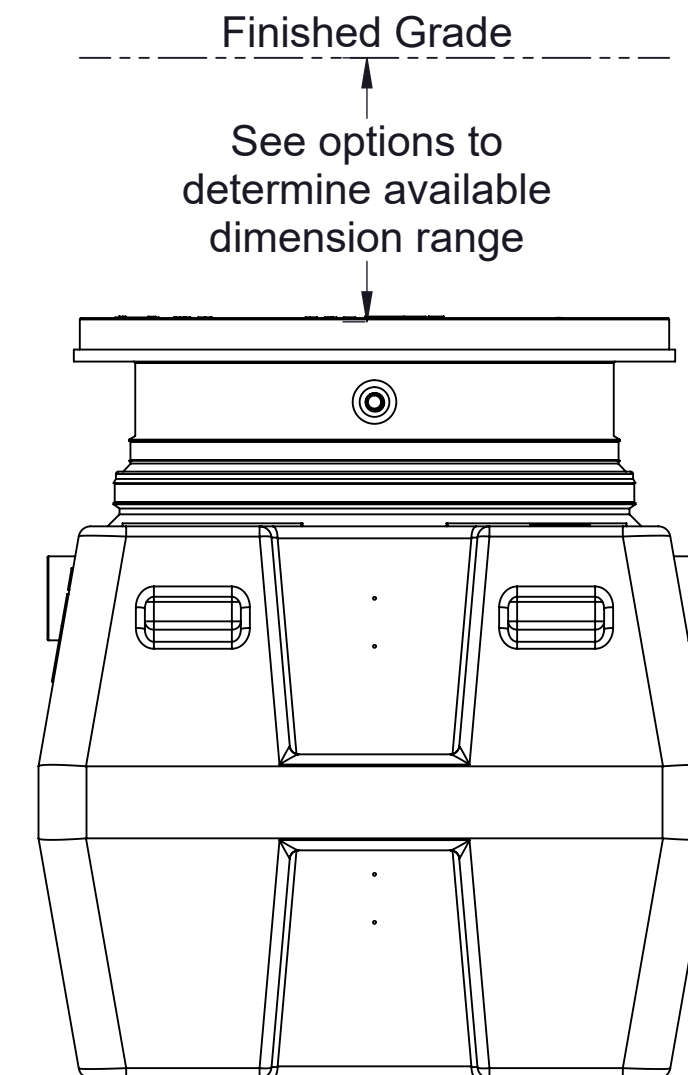
TOP VIEW



SECTION "A-A"



ISOMETRIC VIEW



END VIEW

MODEL NUMBER:	OCT-50
DESCRIPTION:	57 GAL POLYETHYLENE OIL COLLECTION TANK
DWG BY: MJ	DATE: 04/19/2022 REV: 0 ECO:

SPECIFICATION SHEET

Striem
 3100 Brinkerhoff
 Kansas City, KS 66115
 Tel: 913-222-1500
 orders@striemco.com
 www.striemco.com

Made in the U.S.A

PROPRIETARY AND CONFIDENTIAL

THE INFORMATION CONTAINED IN THIS DRAWING IS THE SOLE PROPERTY OF STRIEM, LLC. ANY REPRODUCTION IN PART OR AS A WHOLE WITHOUT THE WRITTEN PERMISSION OF STRIEM, LLC. IS PROHIBITED.