

SPECIFICATIONS

1. 4" Plain End inlet/outlet, 3" Plain End vents.
2. Max flow rate: 50 GPM.
3. Capacities: Liquid: 57 gal. (7.6 cu. ft.); Oil: 40 gal.; Sand: 7 gal.
4. Unit weight w/ composite cover: 92 lbs.; w/ cast iron cover: 150 lbs.
5. Maximum operating temperature 140°F continuous.
6. Composite cover: 2,000 lb. capacity.
7. Slick Stick™ Oil Level Monitoring System (see page 2).

NOTES

1. Snap-in Flow control (ships with unit).
2. Seamless medium density polyethylene tank.
3. Unit supplied with built-in adapter for up to 2" of adjustability. Additional riser(s) available for deeper burial depth.
4. Cover placement allows full access to tank for proper maintenance.
5. Engineered inlet and outlet diffusers are removable to inspect/clean piping.
6. For on-the-floor or buried applications.

DIFFUSION FLOW TECHNOLOGY

The inlet diffuser splits influent into three paths, creating laminar flow and utilizing the entire liquid volume of the tank for efficient oil separation. The calibrated openings greatly reduce influent turbulence. The influent enters the main chamber without disturbing the existing oil or sand layers. The bottom of the outlet diffuser allows only effluent that is free of oil to exit the tank.

ENGINEER SPECIFICATION GUIDE

Striem Oil Reserve™ oil/sand separator model OS-50-SS shall be lifetime guaranteed and made in USA of seamless, rotationally-molded polyethylene. Separator shall be furnished for above or below grade installation, with field adjustable riser system, snap-in flow control, (2) vent connections, and oil level monitoring system. Separator flow rate shall be 50 GPM. Separator oil capacity shall be 40 gallons. Sand capacity shall be 7 gallons. Cover shall provide water/gas-tight seal and have a maximum 2,000 lbs load capacity.

THIRD PARTY STRUCTURAL ANALYSIS

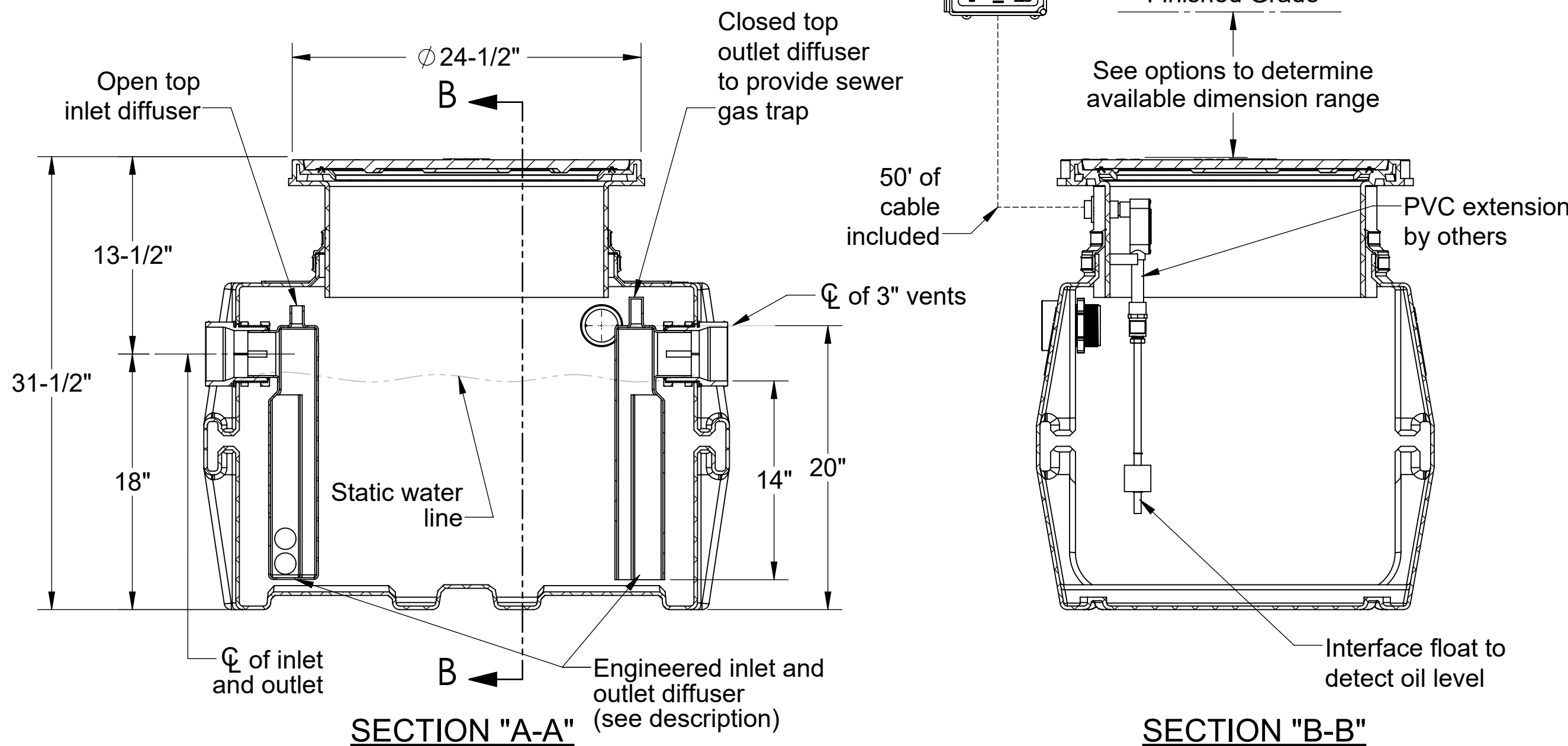
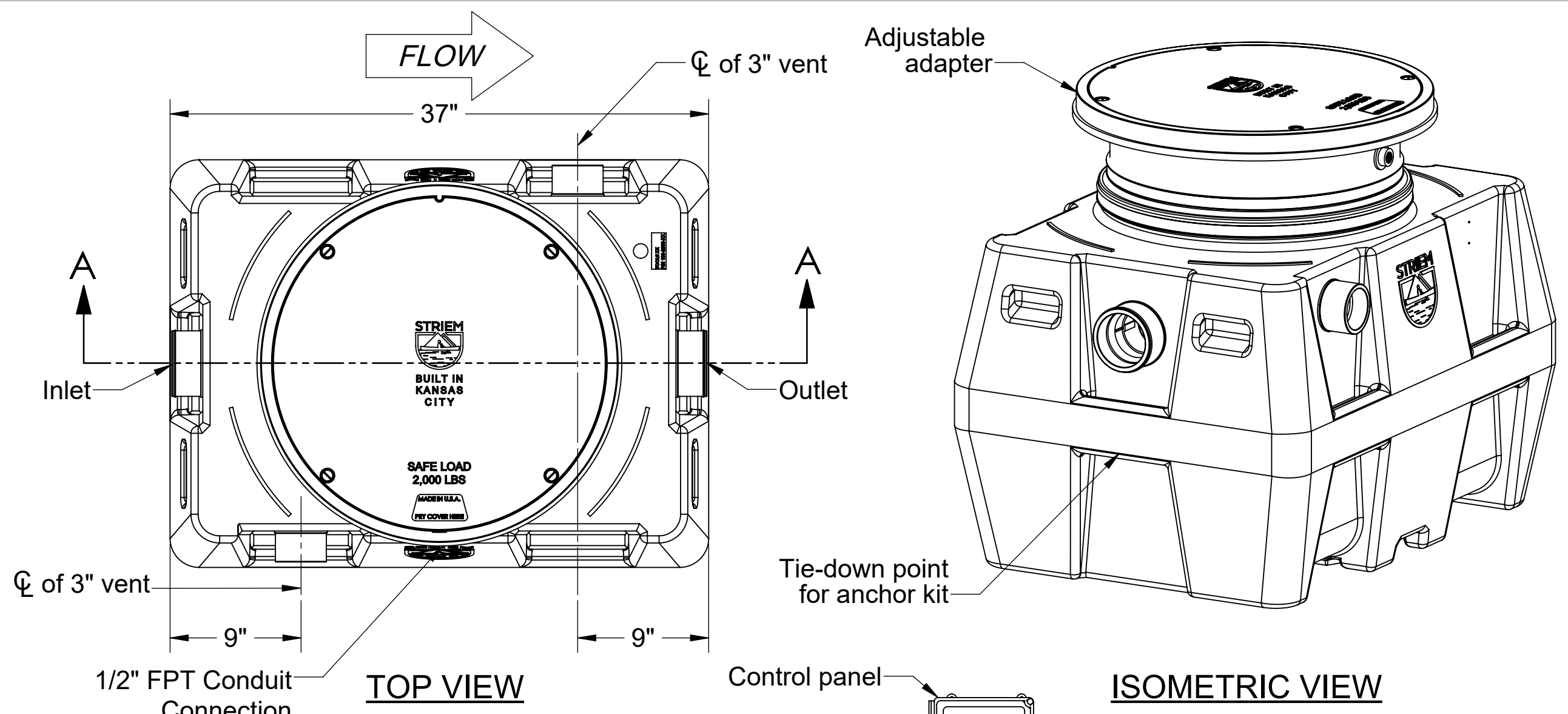
The OS-50-SS has been structurally analyzed in accordance with the requirements of IBC 2012/2015 and ASCE/SEI 7 for direct burial. The maximum burial depth and backfill material are specified in our installation instructions. The structural design has been reviewed and sealed by a professional engineer registered in the state of California. A sealed structural analysis report is available upon request.

OPTIONS

- 2P - 2" Plain End SCH.40 Inlet / Outlet
- 2M - 2" Male Thread Inlet / Outlet
- 3P - 3" Plain End SCH.40 Inlet / Outlet
- 3M - 3" Male Thread Inlet / Outlet
- 4M - 4" Male Thread Inlet / Outlet
- CC24 - Integral Membrane Clamping Collar Kit
- C24-H - Highway rated bolted composite cover
- C24-HP - H20 Rated Pickable cast iron cover
- HDK-2 - High Water Anchor Kit

TeleGlide RISER OPTIONS

- SR24 - 2"-21"
- LR24 - 21"-36"



MODEL NUMBER:	OS-50-SS
DESCRIPTION:	50 GPM POLYETHYLENE OIL/SAND SEPARATOR WITH SLICK STICK™ OIL LEVEL MONITORING SYSTEM
DWG BY:	MJ
DATE:	06/13/2022
REV:	0
ECO:	

SPECIFICATION SHEET

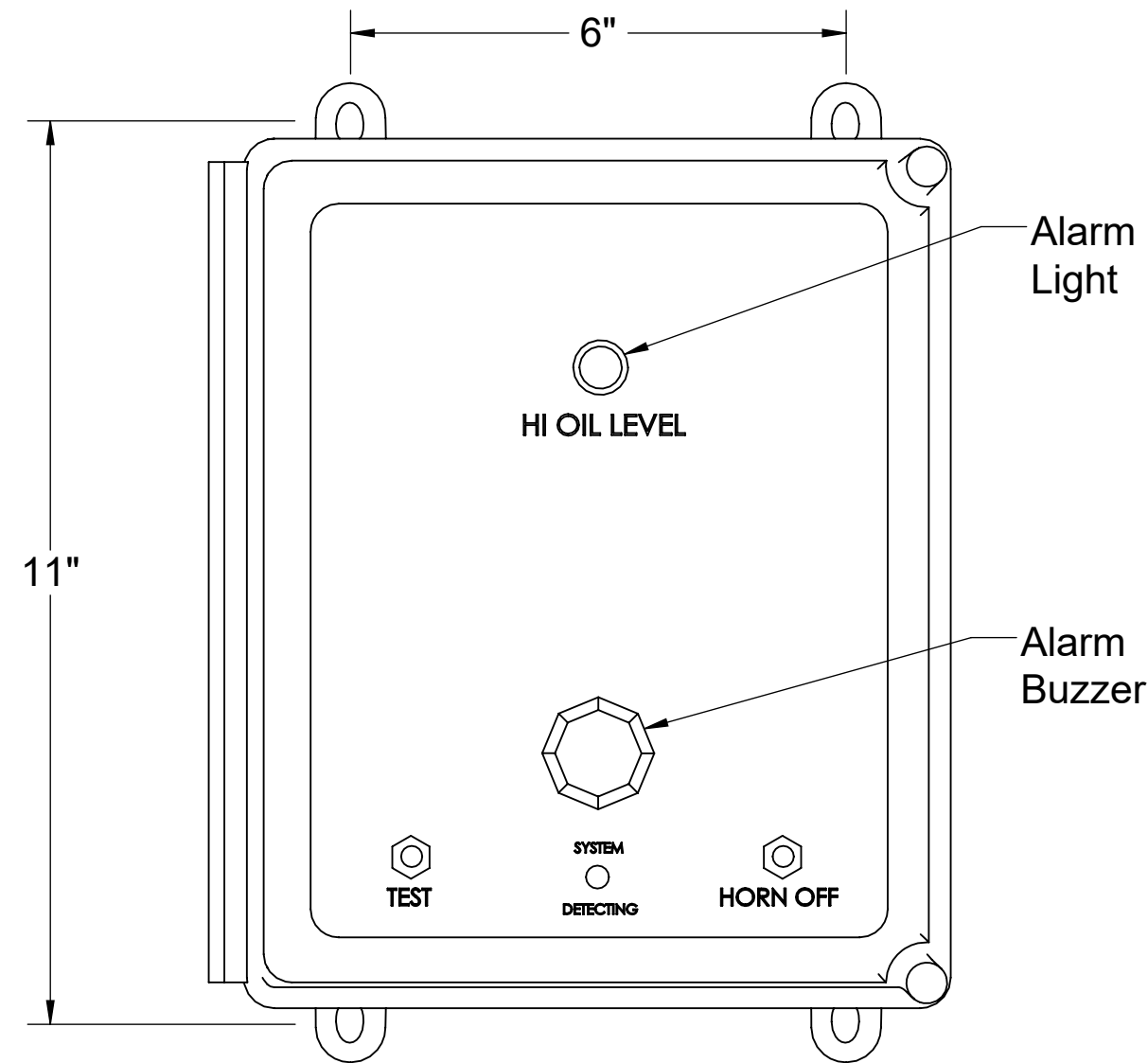
Striem
 3100 Brinkerhoff
 Kansas City, KS 66115
 Tel: 913-222-1500
 orders@striemco.com
 www.striemco.com

Made in the U.S.A

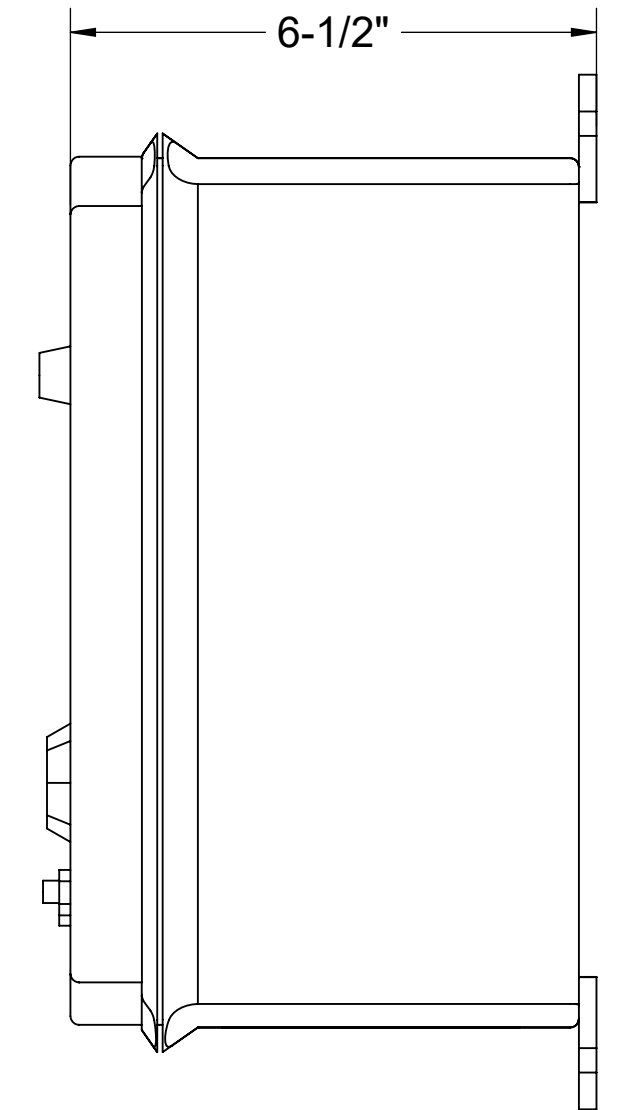
PROPRIETARY AND CONFIDENTIAL
 THE INFORMATION CONTAINED IN THIS DRAWING IS THE SOLE PROPERTY OF STRIEM, LLC.
 ANY REPRODUCTION IN PART OR AS A WHOLE WITHOUT THE WRITTEN PERMISSION OF STRIEM, LLC. IS PROHIBITED.

SPECIFICATIONS

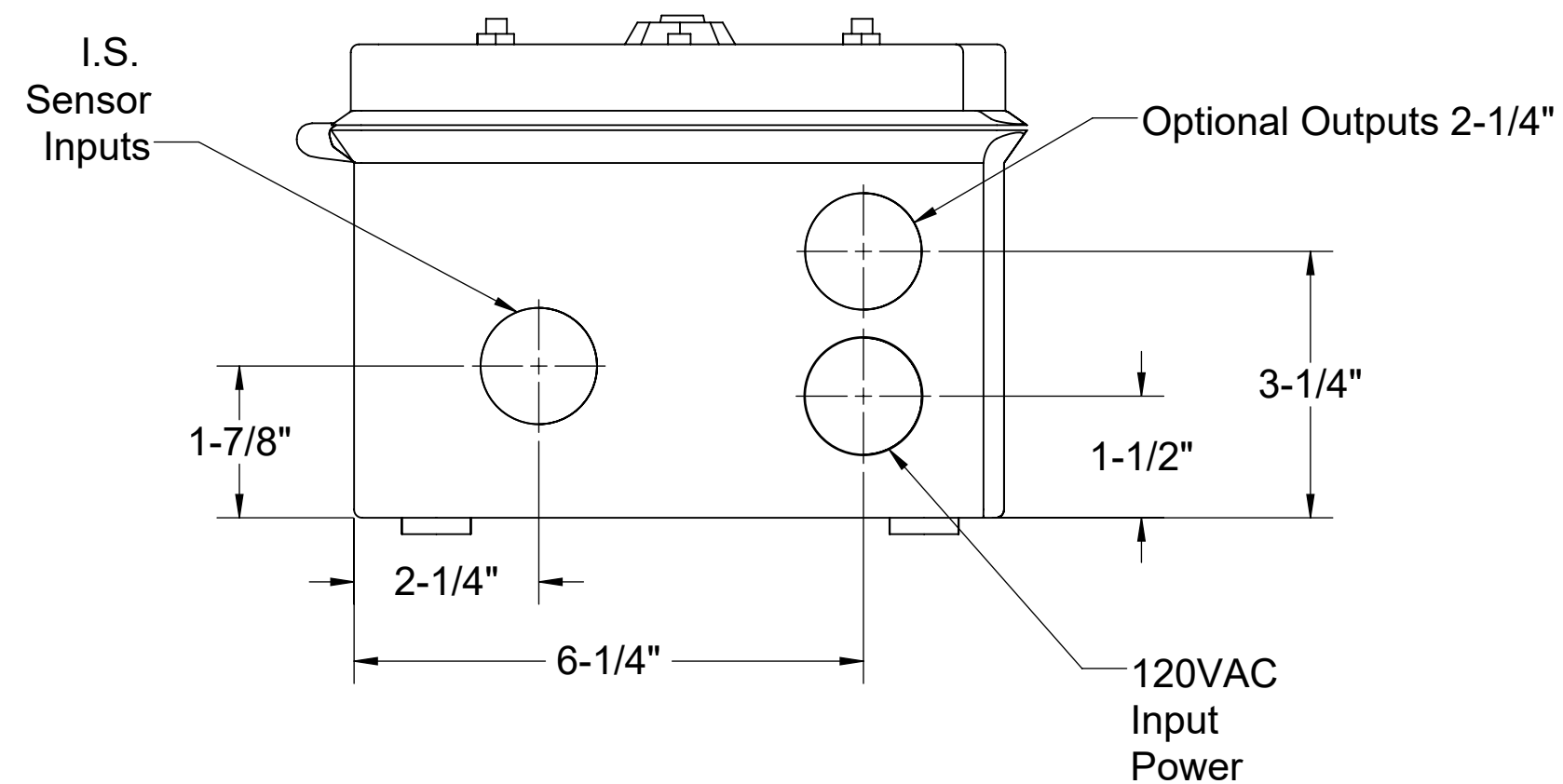
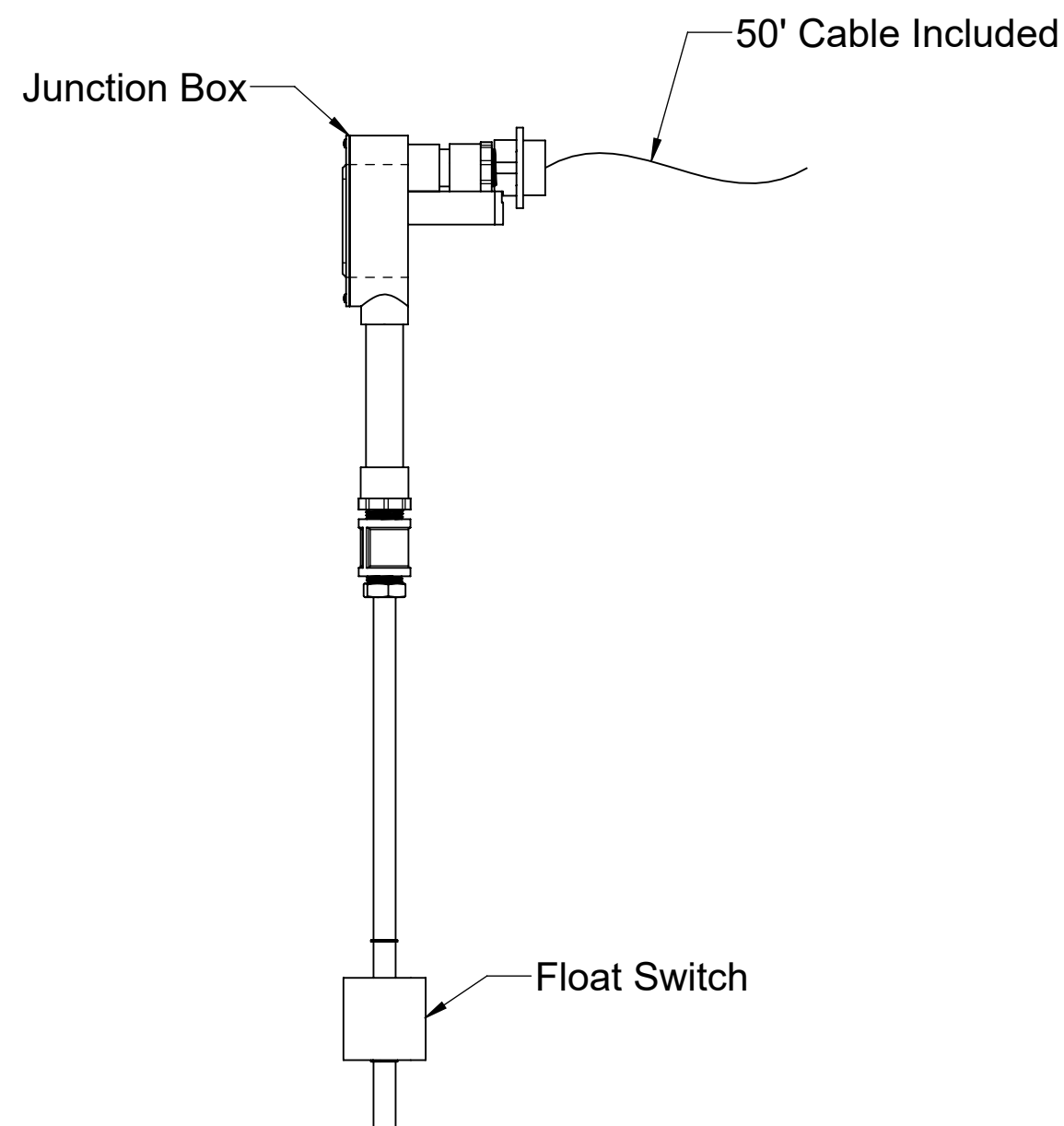
1. UL Listed
2. Provides warning of high oil level conditions with interface float.
3. Single phase, 120 volt, 60 hertz power required.
4. NEMA 4X fiberglass, corrosion resistant, weatherproof enclosure suitable for outdoor use and damp environments.
5. Audible Alarm Buzzer, 95dB pulsing horn with no timeout.
6. High Oil Light, indicates oil has accumulated below the oil interface float or the tank liquid level is below the High Oil Interface Float.
7. Power On light inside enclosure. Visible from the outside.
8. Green light indicates the power is on.
9. Horn off button that silences the audible alarm when pressed.
10. Test button that when pressed will test the system electronics.
11. Alarm bell stays on until reset. Light stays on until reset, even if level goes down.
12. Unit comes supplied with extra dry contact for connection to a building alarm system.



FRONT VIEW



LEFT VIEW



BOTTOM VIEW

MODEL NUMBER: 8056-001-01

DESCRIPTION:

SLICK STICK™ OIL LEVEL
MONITORING SYSTEM
FOR OS, OT, AND FLI SERIES

DWG BY: MJ **DATE:** 01/14/2022 **REV:** 03 **ECO:**

SPECIFICATION SHEET

Striem
3100 Brinkerhoff
Kansas City, KS 66115
Tel: 913-222-1500
orders@striemco.com
www.striemco.com

Made in the U.S.A



PROPRIETARY AND CONFIDENTIAL

THE INFORMATION CONTAINED IN THIS DRAWING IS THE SOLE PROPERTY OF STRIEM, LLC. ANY REPRODUCTION IN PART OR AS A WHOLE WITHOUT THE WRITTEN PERMISSION OF STRIEM, LLC. IS PROHIBITED.

Installation Guidelines:

1. The Slick Stick™ interface float and alarm panel will ship separately from the tank.
2. Install the 1/2" FPT brass coupling to the end of the Slick Stick™ interface float. Thread the 1/2" MPT x socket PVC fitting into the 1/2" FPT brass coupling.
3. If the tank is to be installed above grade, or without any adjustment to the adapter, install a length of 1/2" sch. 40 PVC pipe between the bottom of the junction box and the top of the 1/2" MPT x socket PVC fitting. Choose the length from Table 1 that corresponds with the unit, and oil capacity to be monitored.
4. If the tank is buried, and the adapter will be adjusted upward and/or risers will be used, add the total upward extension dimension to the length determined from Table 1 to determine total length of 1/2" PVC pipe length. For example, assume an OS-75 is being installed below grade and requires 26" of riser extension. Assume you want the control panel to alarm when the oil capacity reaches 70% of the total oil capacity. The length of the 1/2" PVC pipe extension should be 26" (riser depth) + 10" (from Table 1) = 36".
5. Run interface float wiring through 1/2" PVC pipe and into the bottom of the junction box inside the adapter. Connect wiring to alarm panel (see wire diagram).
6. Once power is applied, the alarm will sound. Fill the tank to the active water line to silence the alarm.

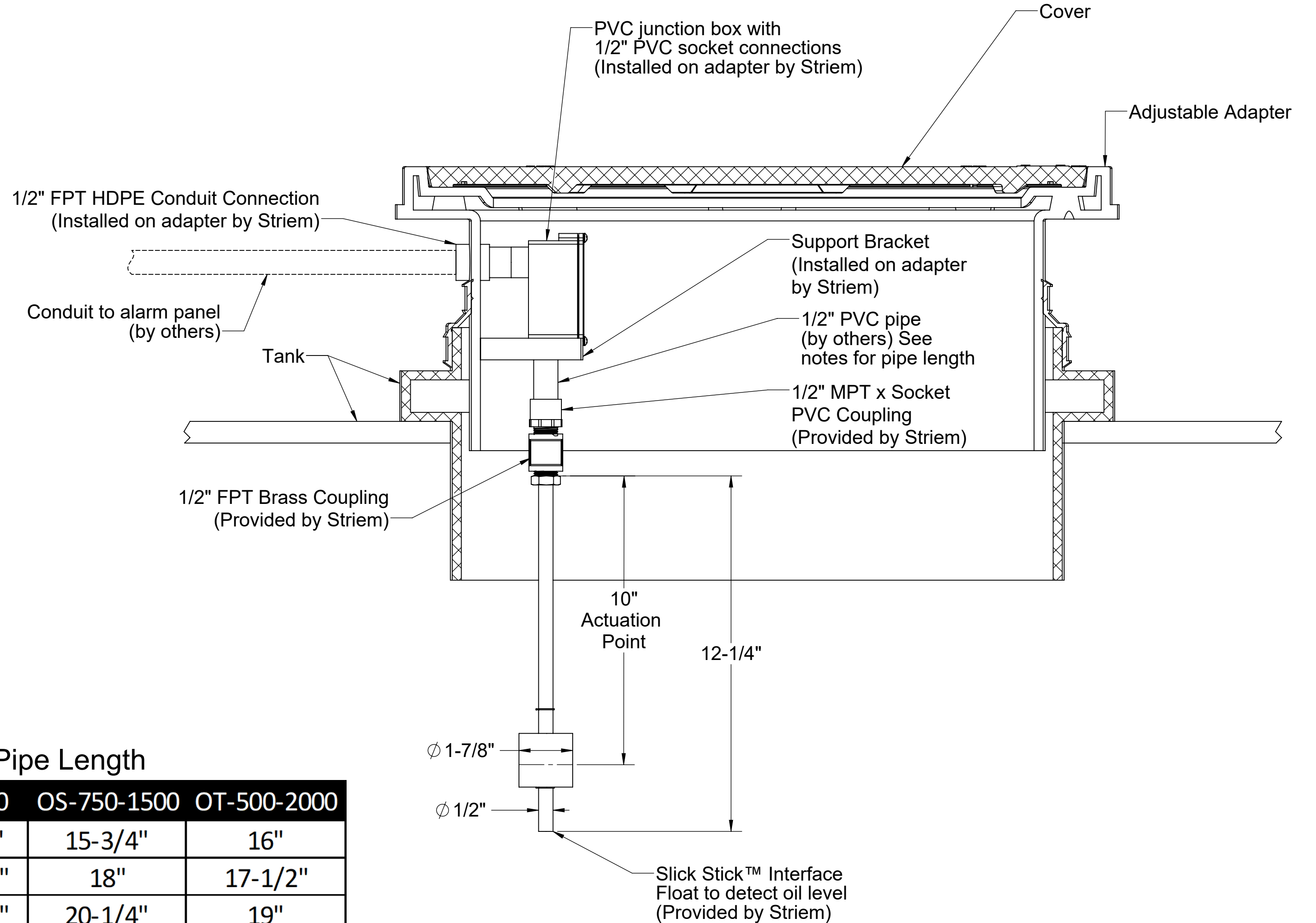


Table 1: 1/2" PVC Pipe Length

Oil Capacity	OS-50	OS-75	OS-100	OS-750-1500	OT-500-2000
50%	1-1/2"	6-5/8"	9-5/8"	15-3/4"	16"
60%	2-3/8"	8-1/4"	11-1/2"	18"	17-1/2"
70%	3-3/8"	10"	13-1/4"	20-1/4"	19"
80%	4-3/8"	12"	15"	22-1/2"	20-1/2"
90%	5-1/2"	13-7/8"	18-3/4"	24-1/2"	22"

PROPRIETARY AND CONFIDENTIAL
 THE INFORMATION CONTAINED IN THIS DRAWING IS THE SOLE PROPERTY OF STRIEM, LLC.
 ANY REPRODUCTION IN PART OR AS A WHOLE WITHOUT THE WRITTEN PERMISSION OF STRIEM, LLC. IS
 PROHIBITED.

DESCRIPTION:

**SLICK STICK™
 INTERFACE FLOAT
 INSTALLATION GUIDELINES**

Striem
 3100 Brinkerhoff
 Kansas City, KS 66115
 Tel: 913-222-1500
 orders@striemco.com
 www.striemco.com



Made in the U.S.A

DWG BY: MJ | DATE: 01/14/2022 | REV: 04 | ECO: