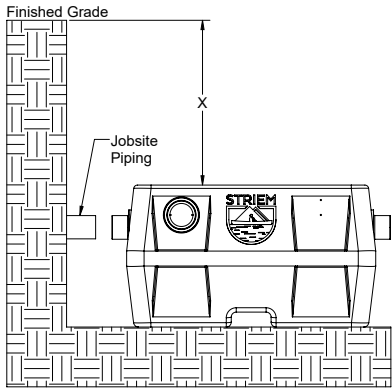


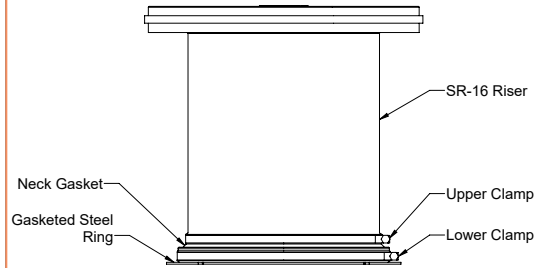


SR-16 TELEGLIDE RISER SYSTEM INSTALLATION INSTRUCTIONS

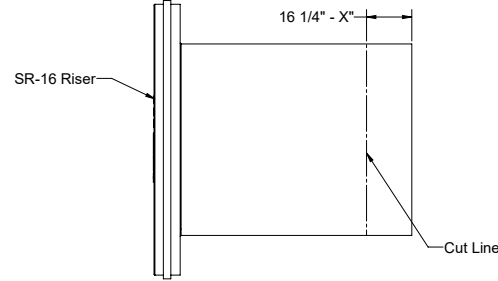
- 1**
- Place unit so that the pipe connections line up with the jobsite piping.
 - Measure dimension "X" from cover to finished grade to determine riser height needed.



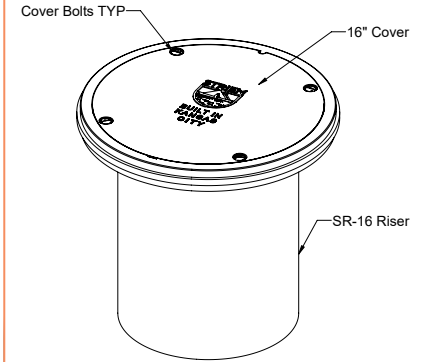
- 2**
- Loosen upper clamp with 3/8" deep well socket.
 - Remove SR-16 riser from neck gasket.



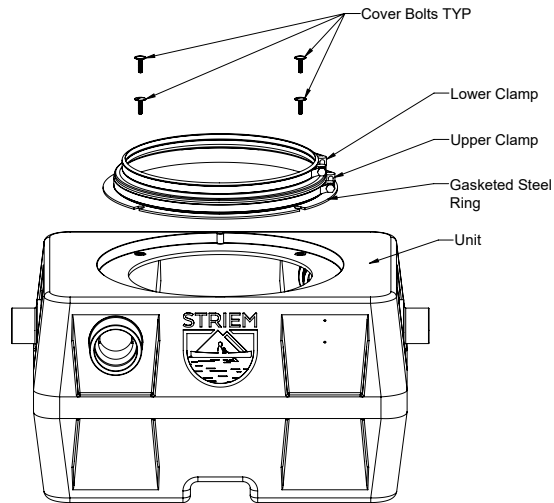
- 3**
- Measure the riser height needed, 16 1/4" - X" down the sidewall of the riser.
 - Mark the location.
 - Extend the mark made around the circumference of the riser.
 - Cut along the line with jigsaw, circular saw, or reciprocating saw.
 - Remove debris from cut edge with scraper, utility knife, or gloves.



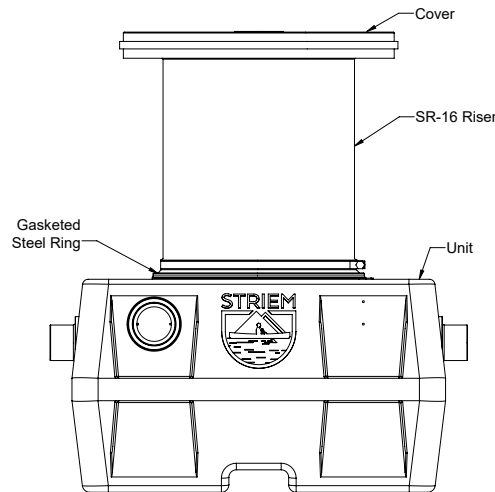
- 4**
- Uninstall the cover installed on the unit.
 - Install cover on SR-16 with cover bolts (included with tank)
 - Tighten cover bolts to 8 lbs. of torque.



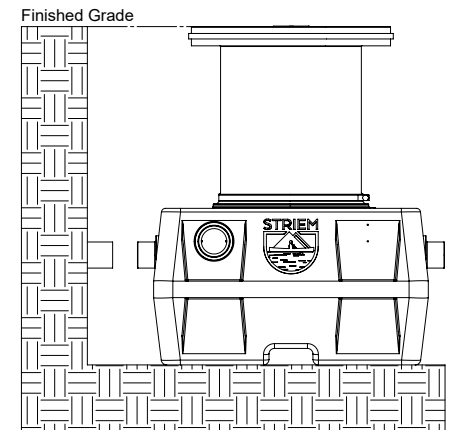
- 5**
- Center gasketed steel ring on manway.
 - Install gasketed steel ring, with attached neck gasket and clamps, onto tank using SR-16 bolts and threaded inserts on tank body.
 - Tighten SR-16 bolts to 8 lbs. of torque.



- 6**
- Insert SR-16 riser through neck gasket until it stops and is level.
 - Tighten all clamps to 14 lbs. of torque.



- 7**
- Ensure cover is level with finished grade.
 - Proceed with unit installation.



WARNING

DO NOT AIR PRESSURE TEST UNIT!
DOING SO MAY RESULT IN PROPERTY
DAMAGE, SERIOUS BODILY INJURY, OR DEATH!
Refer to Installation Instructions for
correct testing procedure.

FOR BURIED APPLICATIONS ONLY LEAK/SEAL TESTING

Do not air test unit or Teleglide Riser system! Doing so may result in property damage, personal injury or death. To perform a leak/seal test on the base unit, cap/plug all plumbing connections, remove the cover, and fill the unit with water just above the highest connection. Inspect unit and connections for leaks. Check water level at specific time intervals per local code. Note: This unit has been subjected to a 24 hour water test prior to shipment from the factory.



913-222-1500



HELP@STRIEMCO.COM



STRIEMCO.COM

CUSTOMER SERVICE HOURS: Mon-Fri, 8 am - 5 pm CST

